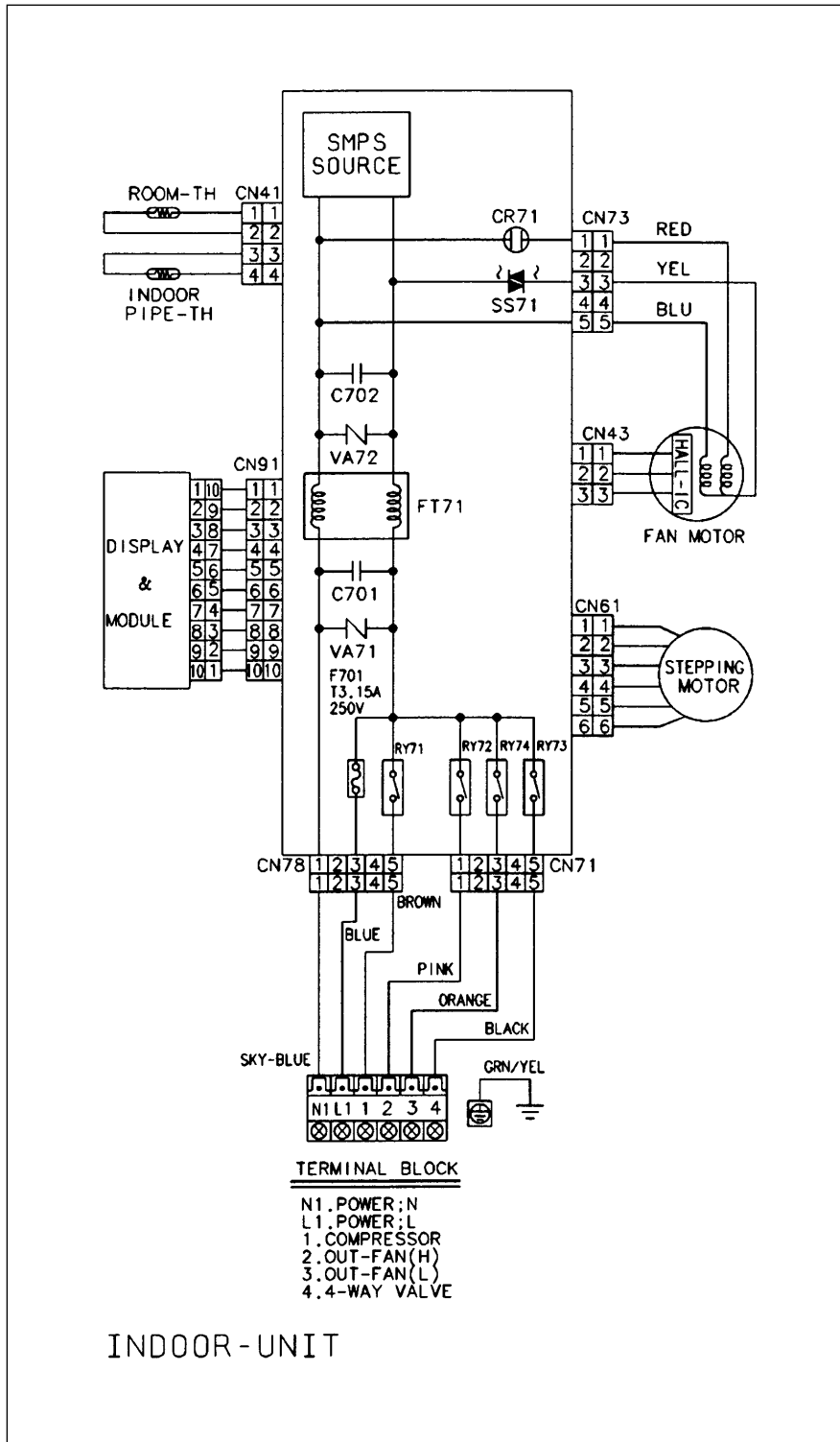


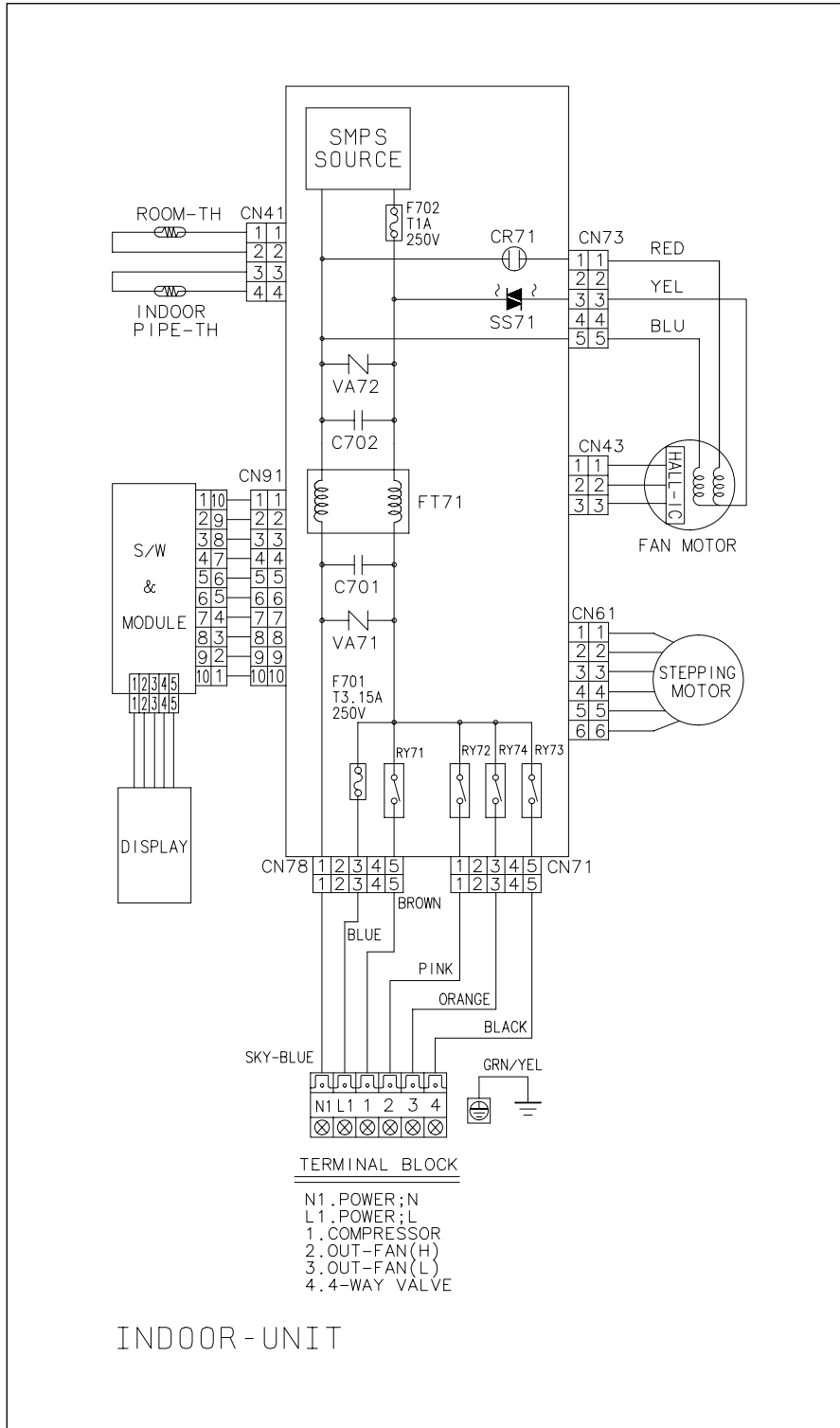
# 9. Wiring Diagrams

## 9-1 Indoor Unit

■ ALL MODEL EXCEPT \*\*\*\*\*C\*\*\*

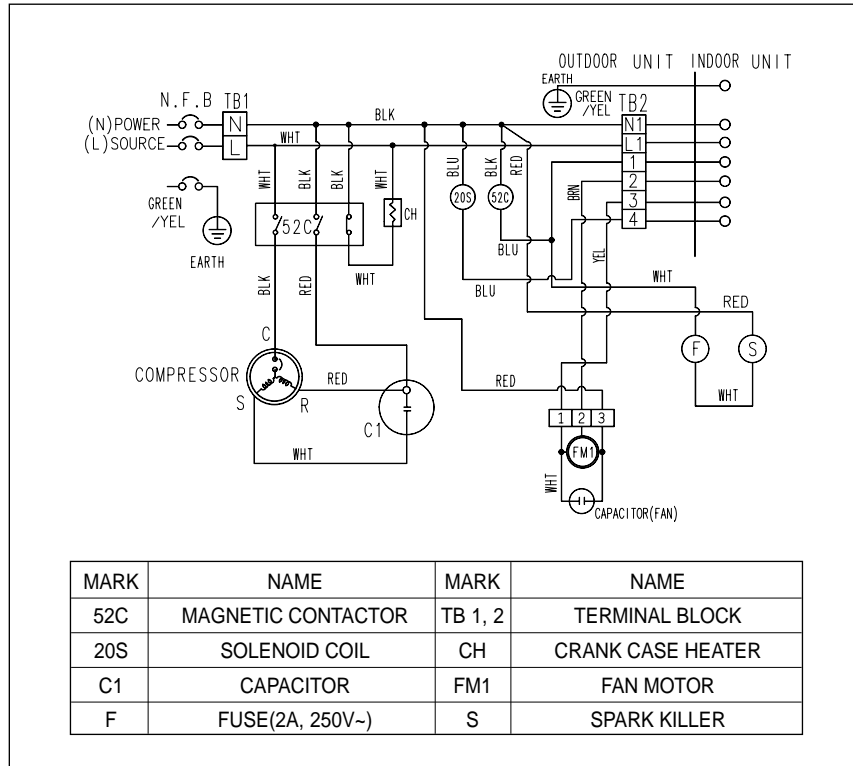


■ \*\*\*\*\*C\*\*\*

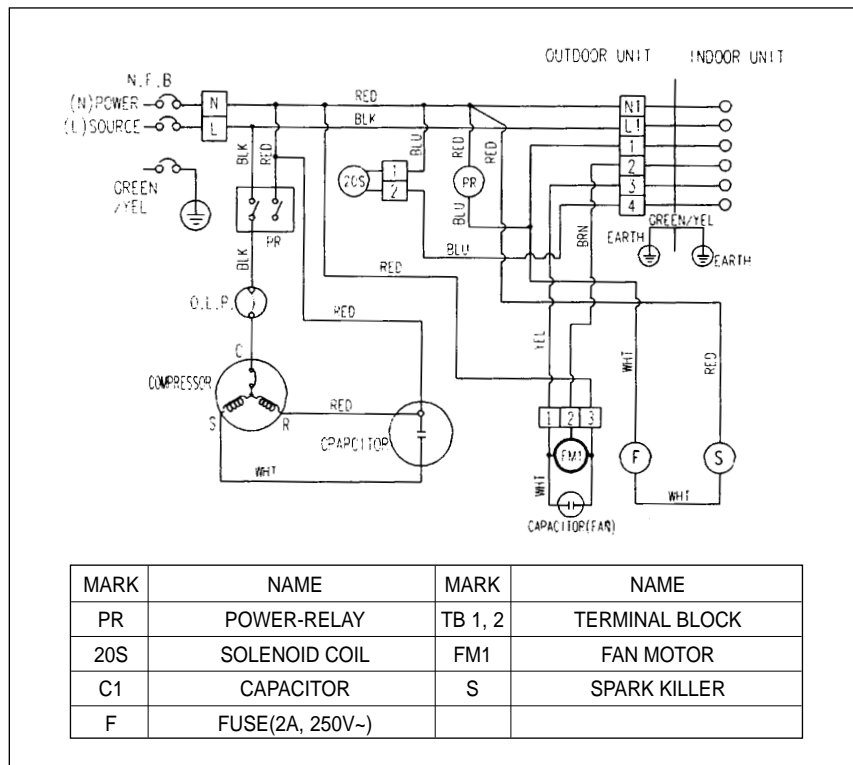


## 9-2 Outdoor Unit

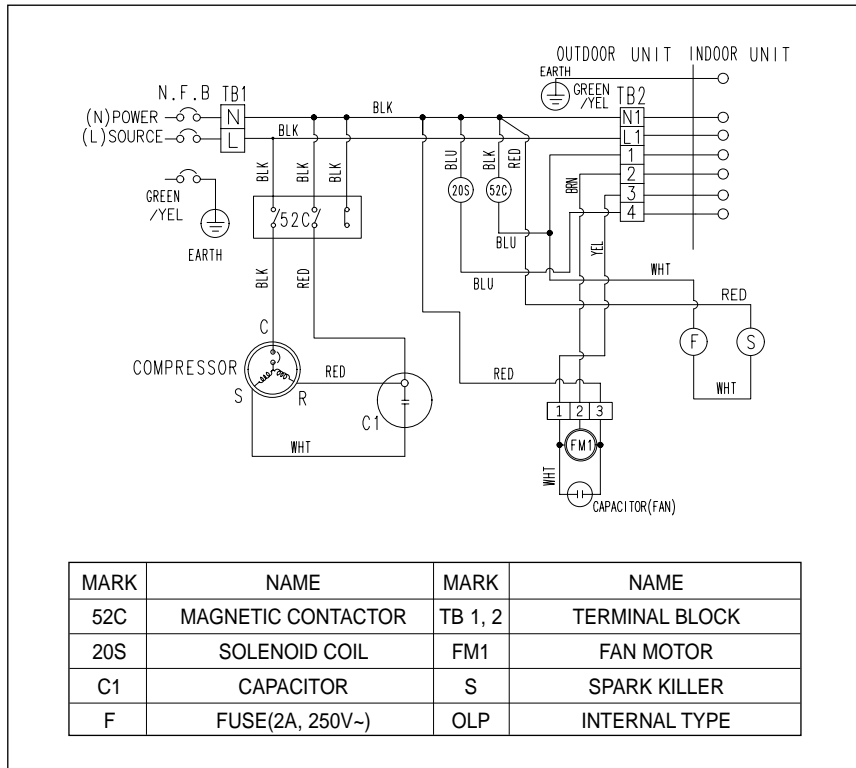
### ■ UQT24A(B)5(6)RE/B, UQT18A(B)9(0)RE/B, SH24A(B)5X UQT24A(B)5(6)RED, SH24TA(B)6DX, UQT24C5(6)RE/B, UQT18C9(0)RE/B



### ■ UQ18A(B)9(0)RE, SH18ZA(B)9X UQ18A(B)9(0)RED, SH18ZA(B)0DX, UQ18A(B)9(0)RBD



■ UQ24A(B)5(6)RBD



# MEMO