

Installation Instructions

Winter Start Control

KAAWS0101AAA

NOTE: Read the entire instruction manual before starting the installation.

INTRODUCTION

This instruction covers the installation of winter start control Part No. KAAWS0101AAA on split-system air conditioners. The device is designed to alleviate nuisance opening of the low-pressure switch by bypassing it for the first 3 minutes of operation.

SAFETY CONSIDERATIONS

Installation and servicing of air conditioning equipment can be hazardous due to system pressures and electrical components. Only trained personnel should install or service air conditioning equipment.


Untrained personnel can perform basic maintenance functions such as cleaning coils, or cleaning and replacing filters. All other operations should be performed by trained service personnel. When working on air conditioning equipment, observe precautions in the literature, tags, and labels attached to the unit.

Follow all safety codes. Wear safety glasses and work gloves. Use quenching cloth for brazing operations. Have fire extinguisher available.

DESCRIPTION AND USAGE

Winter start control must be used where low evaporator temperatures, or nuisance tripping of low-pressure switch may be encountered. The kit contains the following items:

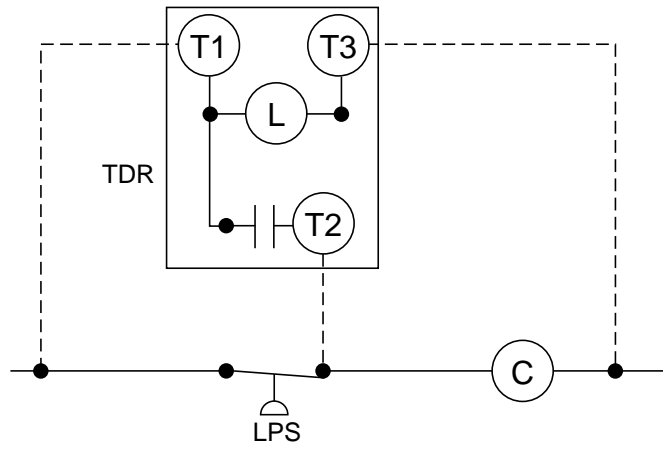
Time-Delay Relay (TDR) CESO130062-00	1
Installation Instructions	1

 **WARNING:** Before beginning any installation or modification, be sure the main electrical disconnect switch is in the OFF position. Electrical shock can cause personal injury or death.

INSTALLATION

Mount winter start control in control box. Wire the time-delay relay in parallel with the low-pressure switch. (See Fig. 1.)

NOTE: There will be a delay of approximately 3 minutes before low-pressure switch becomes a part of control circuit.



LPS LOW-PRESSURE SWITCH
 C CONTACTOR COIL
 TDR TIME DELAY RELAY
 L LOGIC TIME DELAY CONTROL

——— FACTORY WIRING
 - - - - FIELD WIRING

Fig. 1—Wiring for Winter Start Control

A98527