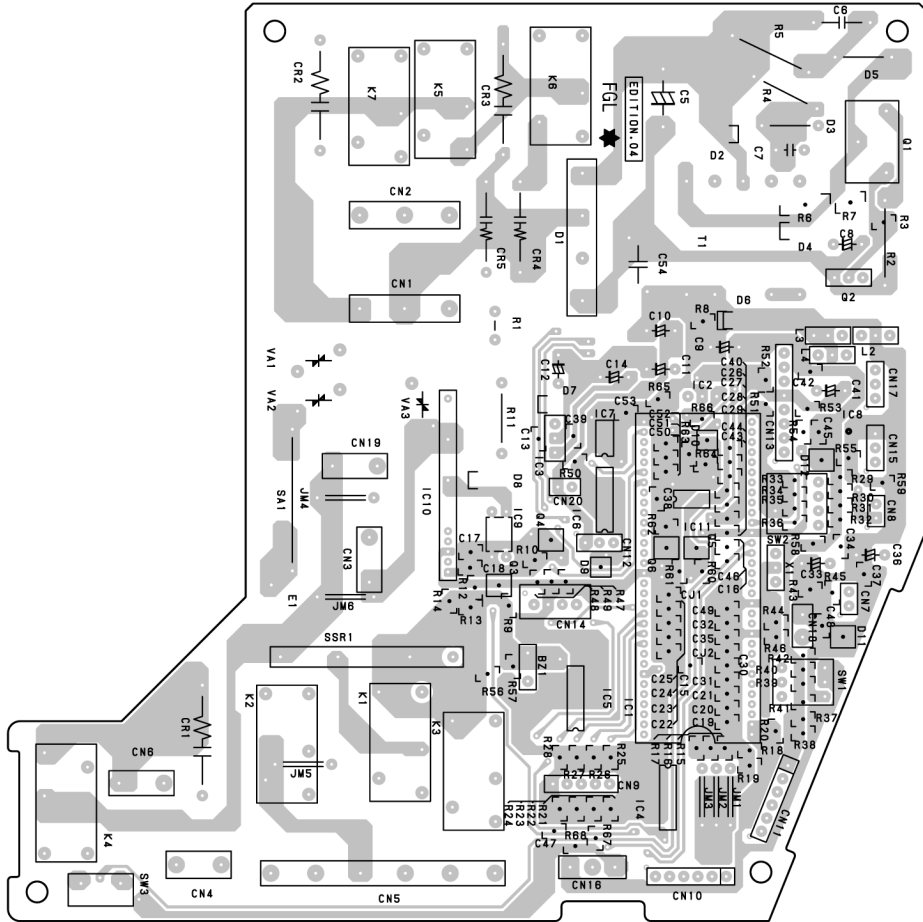


P.C. BOARD LAYOUTS

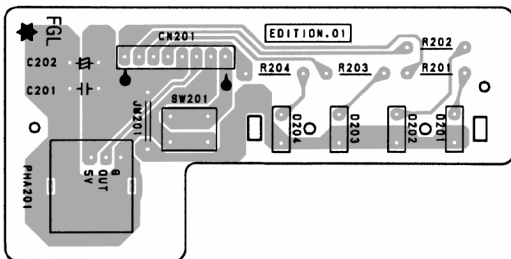
CONTROLLER P.C. BOARD ASSEMBLY (MAIN PCB)

(Viewed from the solder side)



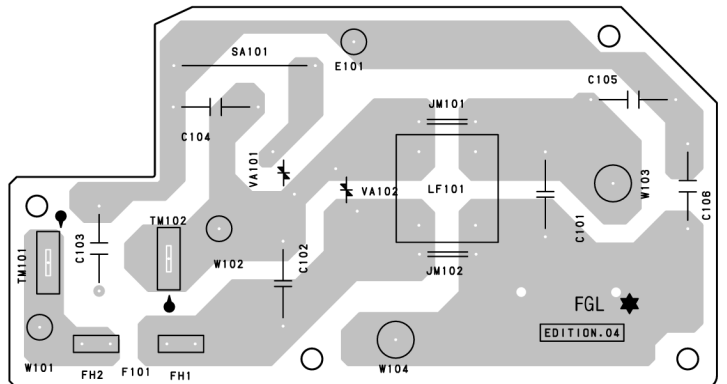
INDICATOR P.C. BOARD ASSEMBLY

(Viewed from the solder side)



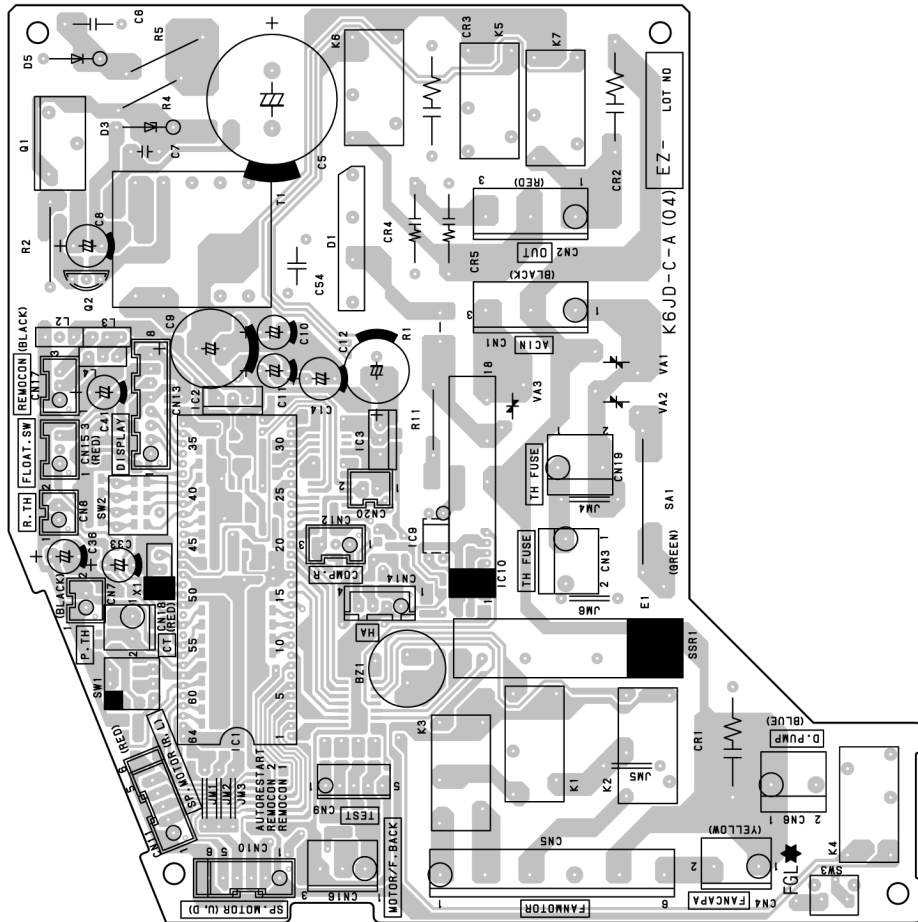
FILTER P.C. BOARD ASSEMBLY

(Viewed from the solder side)



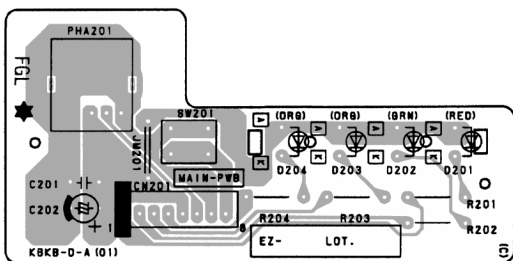
CONTROLLER P.C. BOARD ASSEMBLY (MAIN PCB)

(Viewed from the component side)



INDICATOR P.C. BOARD ASSEMBLY

(Viewed from the component side)



FILTER P.C. BOARD ASSEMBLY

(Viewed from the component side)

