

TOSHIBA

FILE NO. A90-9610

SERVICE MANUAL

MULTI-CONTROLLER

SUPER MULTI AIR CONDITIONER
(COOL/HEAT FLEX SERIES)

RBM-Y1032F-PE
RBM-Y1042F-PE

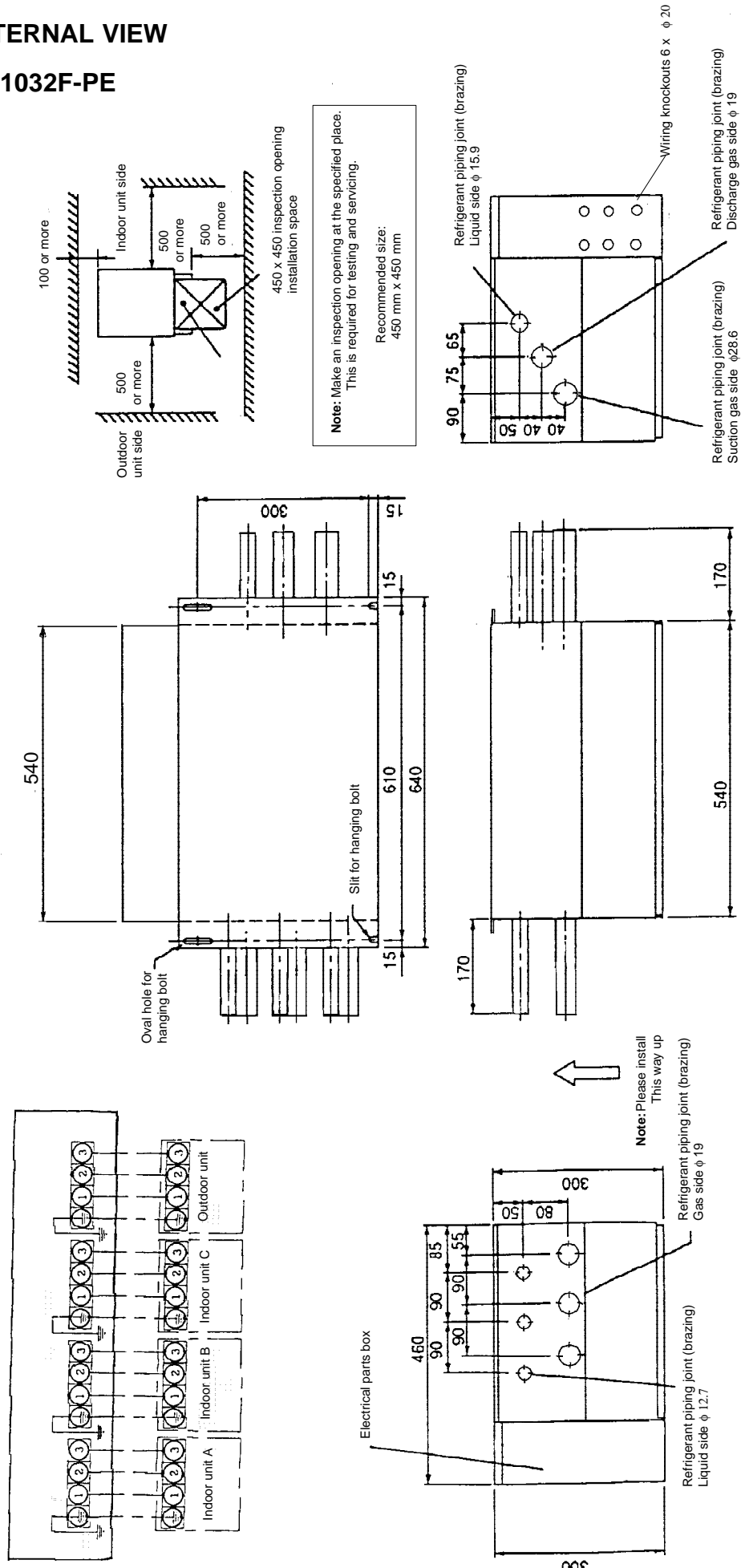
TABLE OF CONTENTS

1.	EXTERNAL VIEWS	
	1.1	RBM-Y1032F-PE3
	1.2	RBM-Y1042F-PE.....4
2.	WIRING DIAGRAM	
	2.....	5-6
3.	SPECIFICATION OF PARTS	
	3.....	7
4.	CONNECTIONS	
	4.1	CONNECTIONS OF REFRIGERANT PIPING AND CONTROL WIRING BETWEEN INDOOR UNITS AND MULTI-CONTROLLER.....8
	4.2	CONNECTIONS OF CONTROL WIRING BETWEEN UNITS.....8
5.	220 - 240V SYSTEM WIRING DIAGRAM	
	5.....	9
6.	MULTI-CONTROLLER PARTS ASSEMBLY	
	6.....	10
7.	MULTI-CONTROLLER ELECTRICAL PARTS ASSEMBLY	
	7.....	11

This service data is an amendment to the main service data for the flex series of outdoor units (file number 300-950). Please refer to this service data for other information (operation data and fault codes etc).

1.1 EXTERNAL VIEW

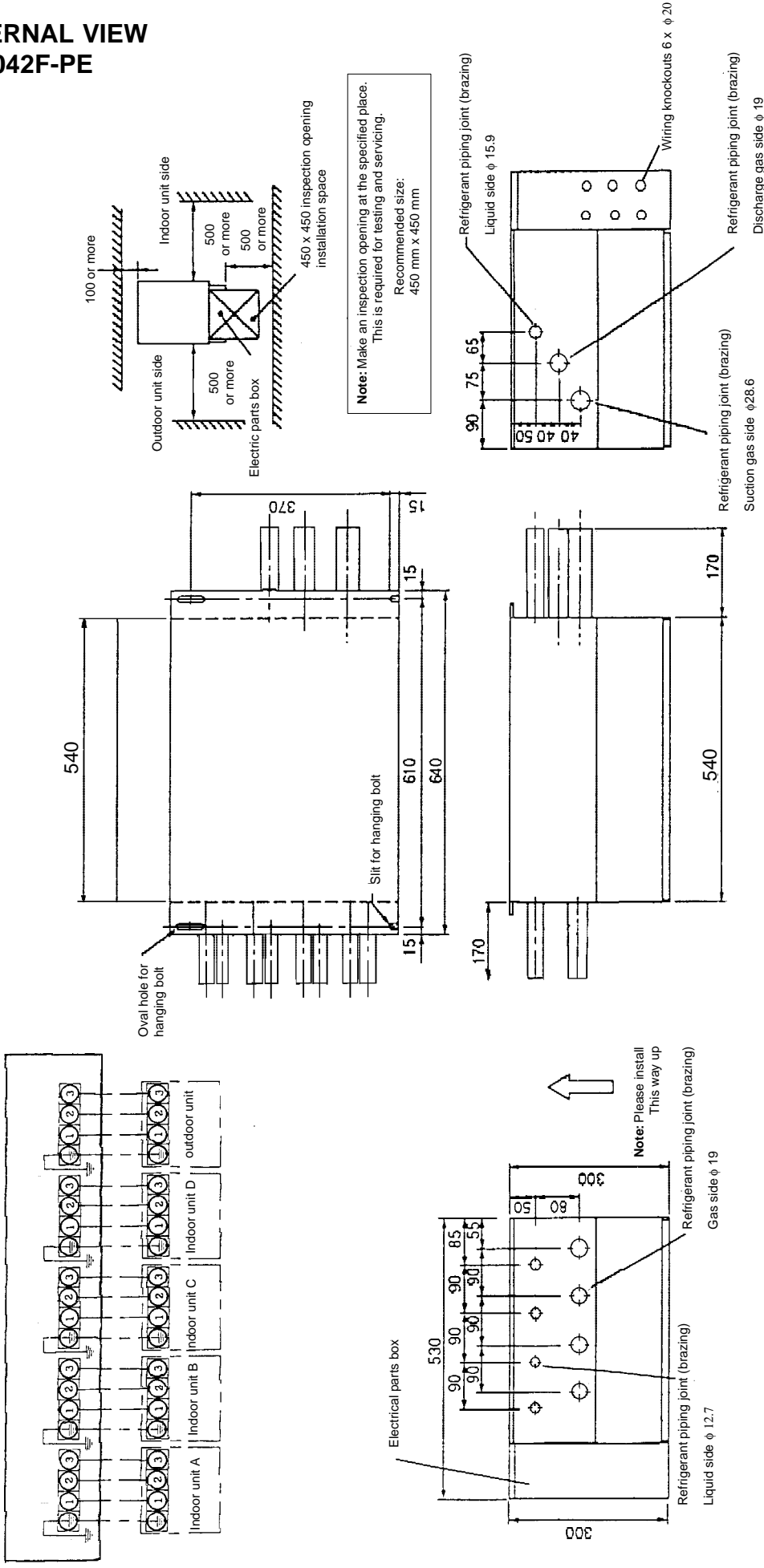
RBM-Y1032F-PE



Note: Make an inspection opening at the specified place. This is required for testing and servicing.
Recommended size: 450 mm x 450 mm

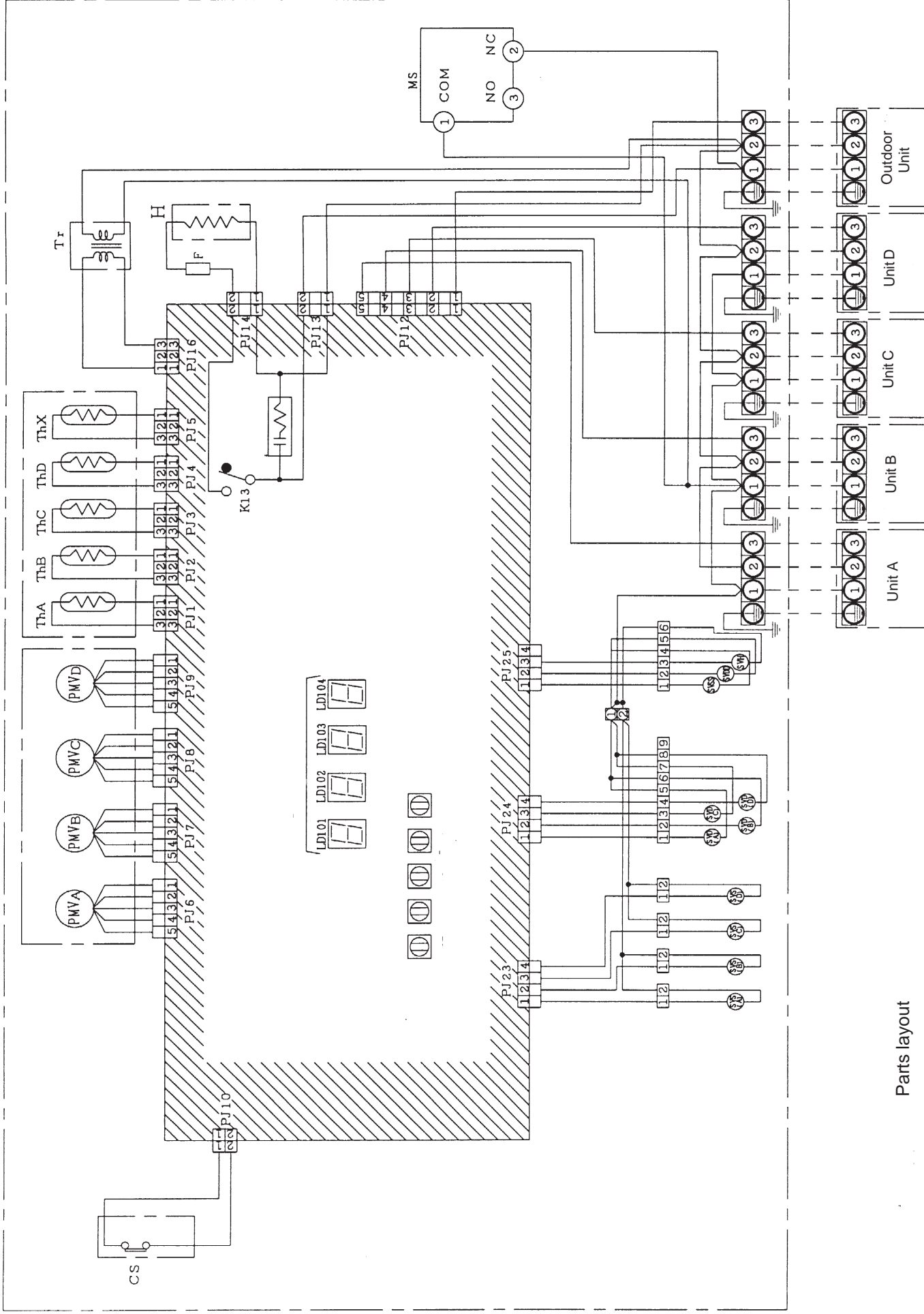
Note: Please install This way up

1.2 EXTERNAL VIEW RBM-Y1042F-PE

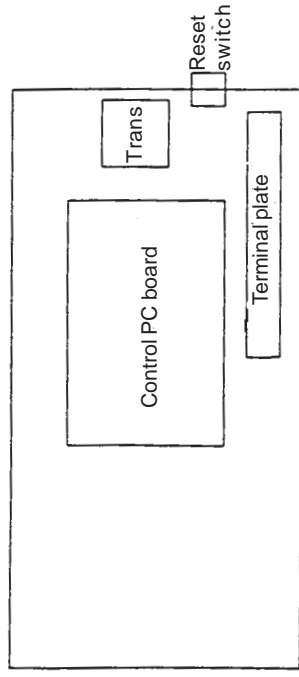


(Unit : mm)

2. WIRING DIAGRAM



Parts layout



Remember:
For quick reference on connection between the multi-controller and indoor units, enter data on indoor unit models connected, installation locations, and code settings in table below.

	Indoor unit model name	Installation location	Capacity rank code
Indoor unit A			
Indoor unit B			
Indoor unit C			
Indoor unit D			

1. and indicate terminal blocks, and terminal numbers.
2. The dashed lines indicate wiring on site.
3. indicates a printed circuit board.
4. The frame indicates the product body.
5. RBM-Y1032F-PE does not have PMVD, SVD(D), SVS(D), ThD. The connection block for unit D. The capacity rank code setting switch for room D is to be set to 0.

Symbol	Product	Symbol	Product
PMV A,B,C,D	Flow Control Valve	SVD (A),(B),(C),(D)	Electrically operated valve for discharge gas side
Th A,B,C,D,X	Temperature Sensor	SVS (A),(B),(C),(D)	Electrically operated valve for suction gas side
Tr	Power Transformer	SVDD	Electrically operated valve for increasing pressure
CS	Float Switch	SVSS	Electrically operated valve for decreasing pressure
H	Heater	SVH	Electrically operated valve for superheat control
MS	Reset Switch	LD 101, 102, 103, 104	Fault indicator L.E.D

3. SPECIFICATION OF PARTS

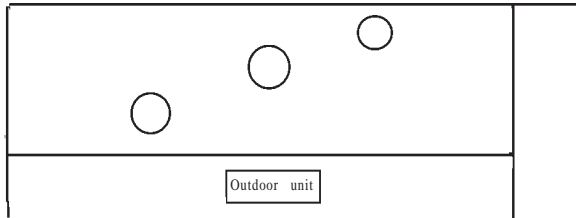
Model Name		RBM-Y1032F-PE	RBM-Y1042F-PE
Flow rate adjustment valve		EV23RC7, Coil DC 12V	
Temperature sensor		At 0°C= 32.8k Ω , 25°C=10k Ω , 50°C= 3.6k Ω	
Float switch		FS-085-0031	
Power supply transformer		FT69	
		Primary side: AC 240V, Secondary side: AC 12V	
Relay (PC board)		G2R-117P, Coil DC 12V	
Heater		10.4W/m	
		50W	65W
Thermal fuse for heater		Cut out at 119°C	
Heater fuse		1A	
Discharge gas side solinoid valve		RP100-03, Coil AC 240V	
Suction gas side solinoid valve		REV-1506DXFQ6, Coil AC 240V	
2-way valve		NEV202DXF. Coil AC 240V	
2-way valve		NEV603DXF. Coil AC 240V	

Specifications are subject to change without notice

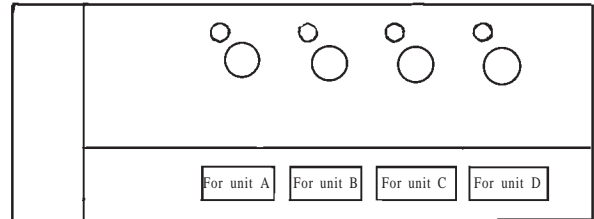
4.1 CONNECTIONS OF REFRIGERANT PIPING AND CONTROL WIRING BETWEEN INDOOR UNITS AND MULTI-CONTROLLER.

To ensure correct operation the control wiring and refrigerant piping from indoor unit A, must be connected to the terminals and connections for unit A on the multi-controller. Units B, C and D must also be correctly connected.

Refrigerant piping joint to outdoor unit.

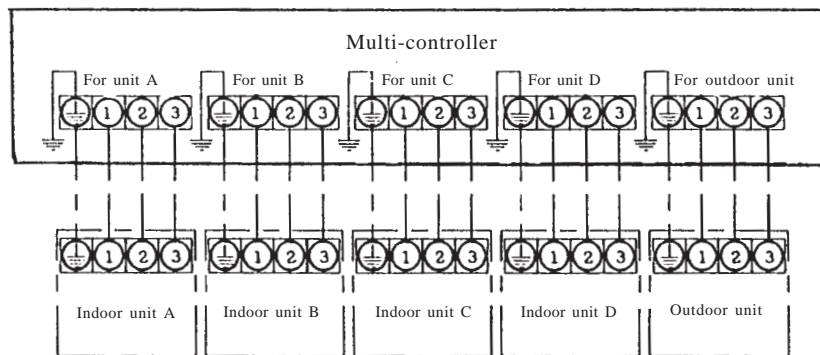


Refrigerant piping joint to indoor unit.

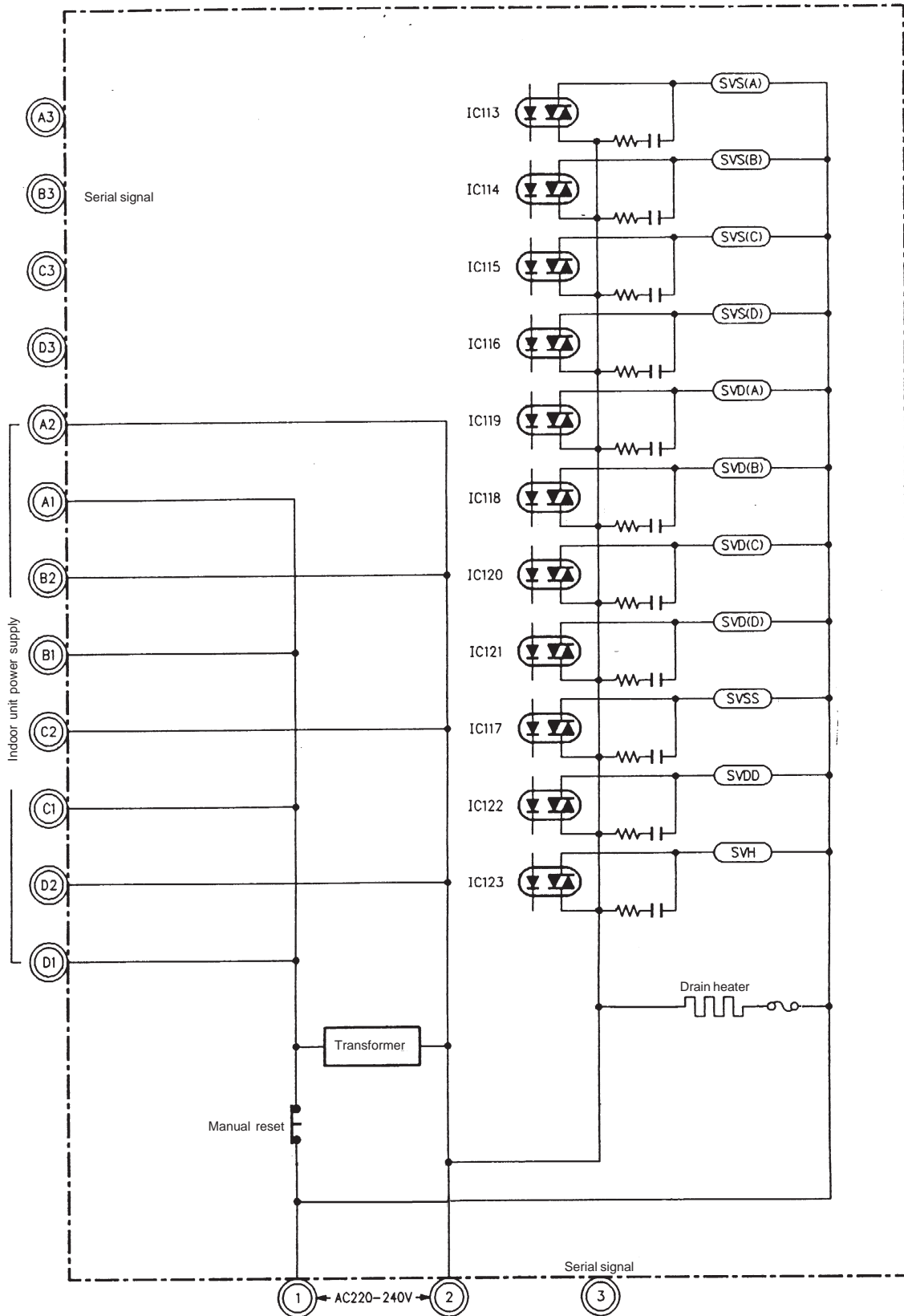


4.2. CONNECTIONS OF CONTROL WIRING BETWEEN UNITS

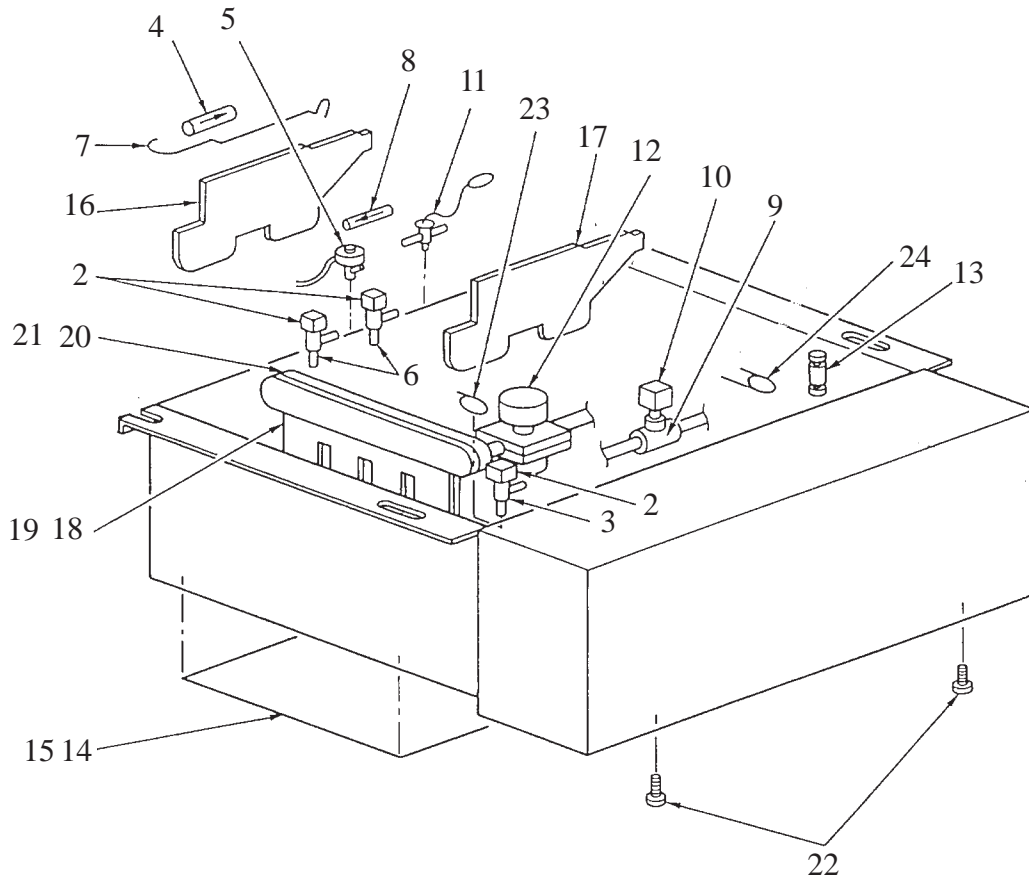
Check that the control wiring between the indoor units, multi-controller and outdoor unit are properly connected. Check to see the terminal numbers for the control wires. (See below).



5. 220 - 240V SYSTEM WIRING DIAGRAM

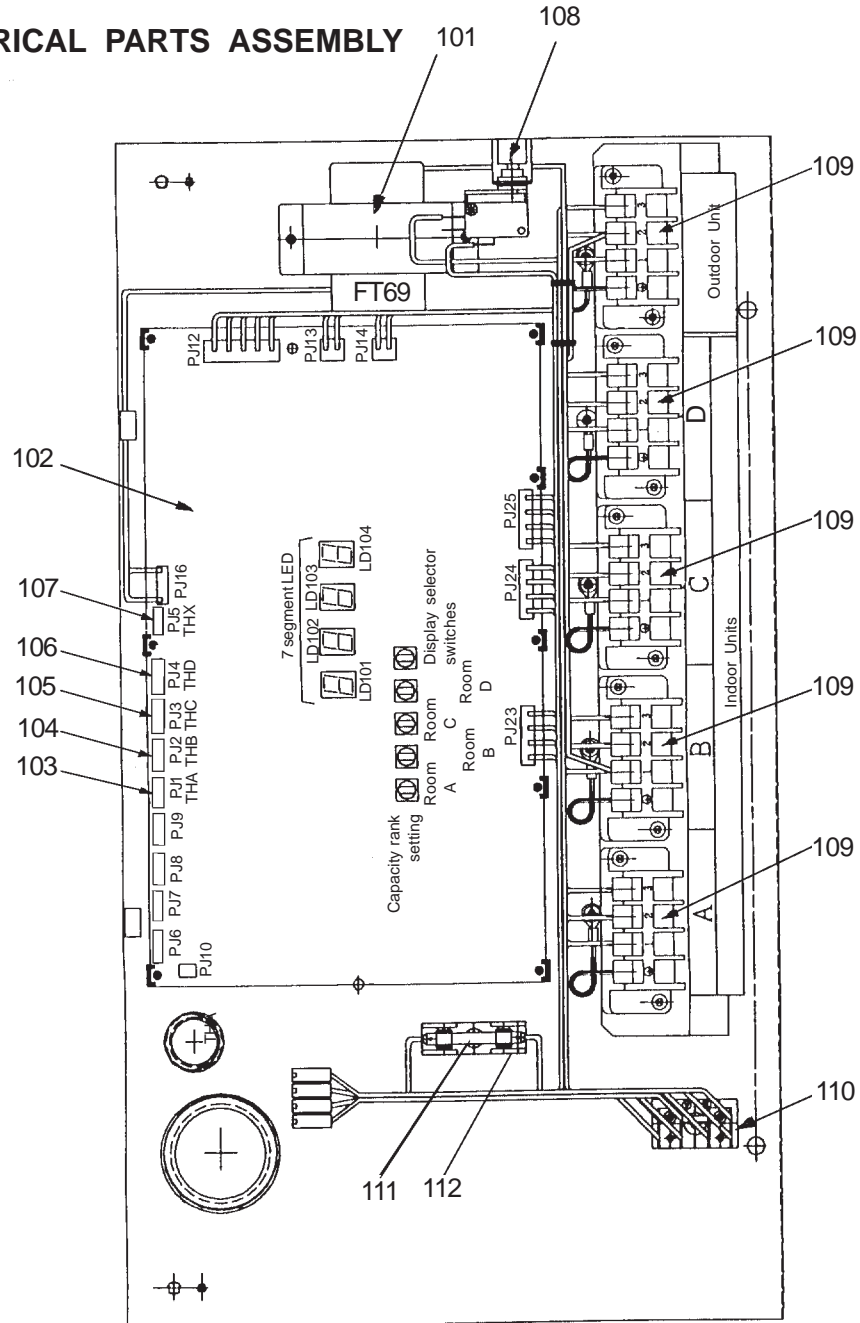


6. MULTI-CONTROLLER PARTS ASSEMBLY



Location No	Part No	Description	Location No	Part No	Description
1	43019604	Holder, Sensor	15	43157253	Panel Heater (RBM-Y1032F-PE)
2	43146443	Solnoid Coil	16	43189026	Insulator, Liquid-A
3	43046151	2-way Valve	17	43189027	Insulator, Liquid-B
4	43146283	Check Valve	18	43189028	Insulator, Header-A
5	43046269	Pulse Motor Valve	19	43189029	Insulator, Header-A
6	43046270	2-way Valve	20	43189031	Insulator, Header-B
7	43847010	Capillary Tube 2.0 Diameter	21	43189032	Insulator, Header-B
8	43046156	Check Valve	22	43A97001	Adjust Bolt
9	43146398	Valve Body	23	43A47011	Capillary Tube 0.8 Diameter
10	43146506	Solenoid Coil	24	43A47012	Capillary Tube 1.0 Diameter
11	43146429	Expansion Valve			
12	43146505	2-way Valve			
13	43151231	Float Switch			
14	43157252	Panel Heater (RBM-Y1042F-PE)			

7. ELECTRICAL PARTS ASSEMBLY



Terminal D is present on RBM-Y1042F-PE unit only.

Location No	Part No	Description
101	43158139	Transformer FT69
102	4316627	PCB Board ASM
103	43150162	Sensor
104	43150163	Sensor
105	43150164	Sensor
106	43150165	Sensor(RBM-Y1042F-PE)

Location No	Part No	Description
107	43150166	Sensor
108	43151242	Micro-switch
109	43A60001	Terminal block 4P
110	43060776	Terminal 2P
111	43A60008	Fuse T1A
112	43A60007	Fuse holder

TOSHIBA CONSUMER PRODUCTS (U.K.) LTD.
PORSHAM CLOSE, BELLIVER INDUSTRIAL ESTATE, PLYMOUTH, PL6 7BP, U.K.