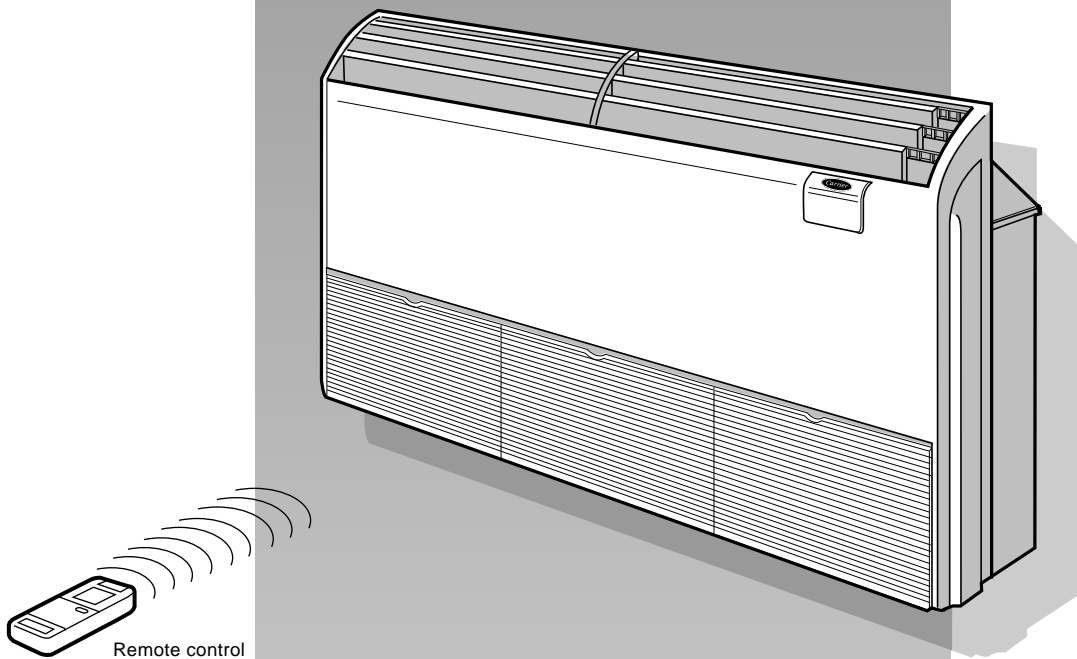




# 42AR / 42QR



CERTIFICACIONES  
BS 5750: PART 1  
UNE-EN ISO 9001



Remote control

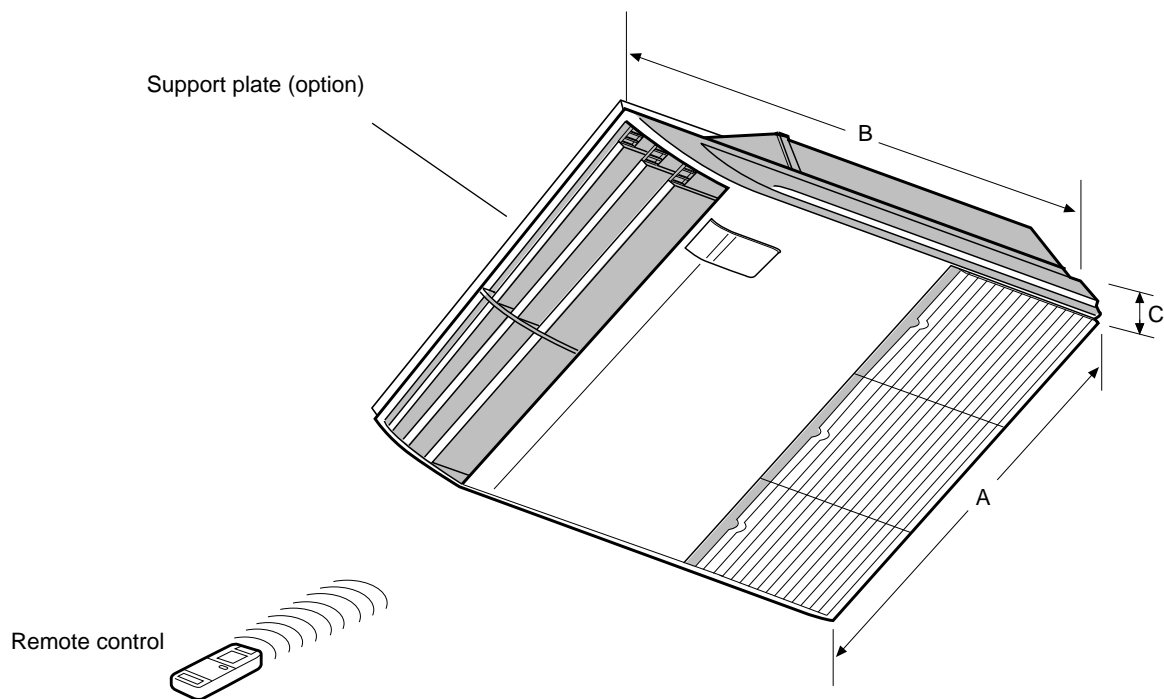
Mod. 42AR / 42QR  
036 - 048 - 060

---

**SPLIT SYSTEM UNDERCEILING, FLOOR-STANDING INDOOR UNITS**  
**Installation instructions**

---

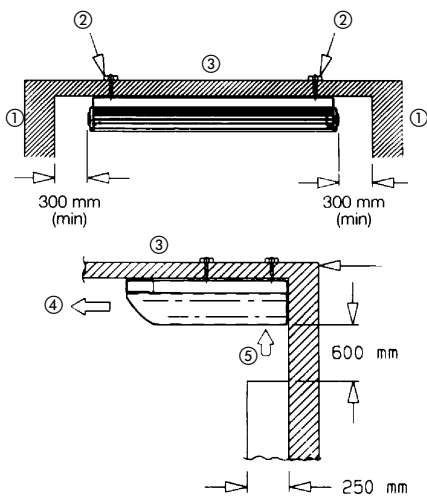
## Dimensions



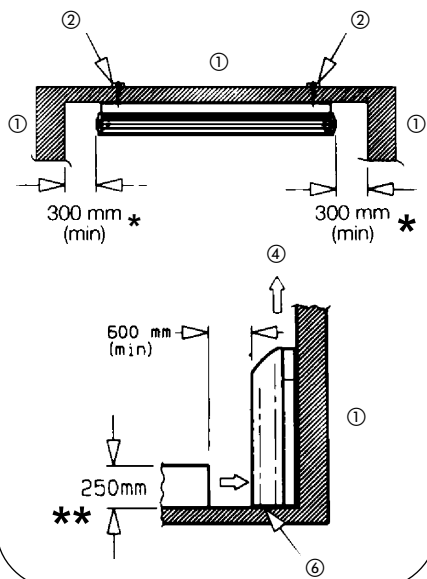
MODEL	A (mm)	B (mm)	C (mm)	Weight (kg)
036	1.362	675	235	38.0
048	1.362	675	235	45.5
060	1.796	675	235	52.5

# Location

## Ceiling mounting



## Floor or wall mounting



## Selection of unit location

- Select a location not exposed to outside air.
- Select a location free from obstructions to the air flow.
- Ensure easy access to the outside for chiller water piping and drainage point.
- Select a location of best air distribution.
- Avoid a location subject to water or steam.
- Avoid a location where combustible gas may be generated, settle or leak.
- Avoid a location near a machine emitting high frequency waves (i.e. welding machine).

## Clearances for service

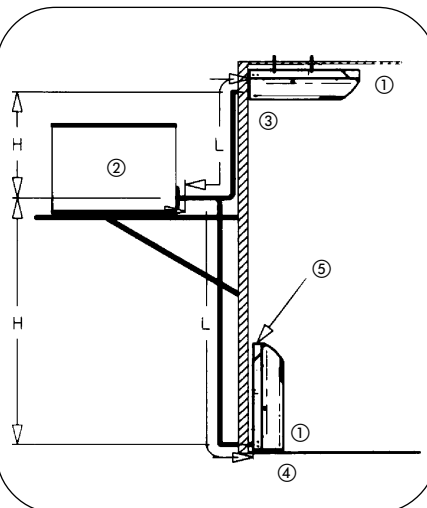
For ease of installation, safety and maintenance purposes allow minimum access as shown in figures.

- ① Wall
- ② Bolt
- ③ Ceiling
- ④ Air outlet
- ⑤ Air inlet
- ⑥ Rubber grommet

- \* Allow a minimum of 300 mm of space for piping and wiring.
- \*\* Objects, furnishings or built in architectural features must not protrude more than 250 mm.

## Connection between indoor and outdoor unit

Check the height difference between the indoor and outdoor units, the refrigerant line length etc. The lines, elbows, traps, etc... are calculated as indicated in the installation manuals of the outdoor units. Take the total equivalent length «H» and «L» into consideration.



- ① Indoor unit
- ② Outdoor unit
- ③ Ceiling mounting
- ④ Floor mounting
- ⑤ Support plate (optional)

# Installation

## Safety factors

- Before installing the unit, determine a safe route for siting in unit.
- Only trained and qualified service personnel should install, repair or service the unit.
- When working on the unit observe precautions in the literature and on labels attached to the unit.
- Follow all safety codes.
- Wear safety glasses and gloves and use a quenching cloth for brazing operations.
- Have a fire extinguisher ready for all brazing operation.

## MOUNTING THE UNIT

### Floor mounting

- Fit a rubber grommet to the unit base.
- Stand unit upright and level.

**Note: Check that the unit is level or sloping towards the drain.**

### Ceiling and wall mounting:

- Remove plastic side cover to expose bracket hanger.
- Remove bracket hanger from the unit.
- Provide a suspension rod for the mounting bracket hanger at the spacing in the following table.
- Secure the bracket hanger to suspension rod.
- Hoist unit and slide bolts on side of unit into holes in bracket hanger.
- Check that unit is level.
- Tighten bolts securely.
- Attach plastic side cover after all work has been completed.

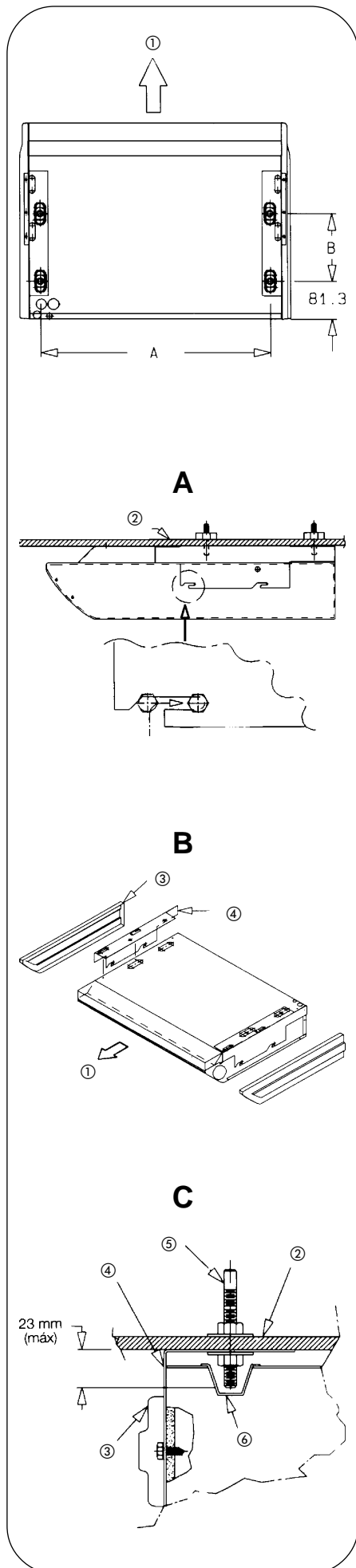
Model	Distance for bolt mounting	
	A (mm)	B (mm)
036	1222,6	231
048	1222,6	231
060	1657,7	231

**A** Hoist unit and slide bolts on the side of unit into holes in bracket hanger

**B** Remove plastic side cover and bracket hanger from the unit

**C** Suspension bolts fit into plastic caps on inside unit top panel. *Attention: never remove plastic caps.*

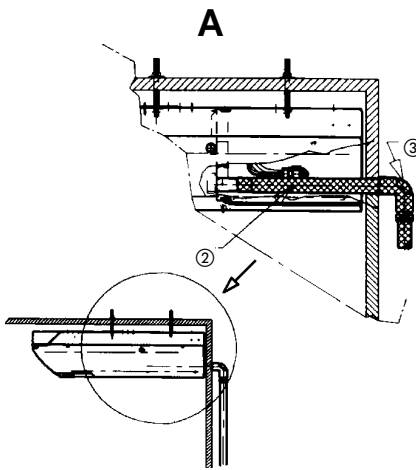
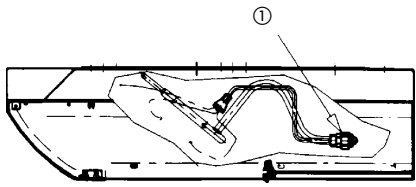
- ① Air outlet
- ② Ceiling board
- ③ Plastic side cover
- ④ Bracket hanger
- ⑤ Suspension bolts (not supplied)
- ⑥ Plastic caps (4/unit)



# Refrigerant and drainage piping

## REFRIGERANT PIPING

- Ensure service valve on outdoor unit is fully shut.
- Check the height difference between indoor and outdoor unit.
- Open plastic grille to gain access to piping.
- Use the suction and liquid tube sizes shown in table.
- Make flare connection for both suction and liquid lines.
- Insulate pipework: insulate the manifold and the suction line with the tape supplied.
- Purge the piping with dry nitrogen to ensure that the inside of the tube is clean.
- Check system to ensure there is no gas leak.
- Evacuate system opened for installation.
- Open outdoor unit service valve.
- Charge R-22 at low pressure charge port in outdoor unit. For R-22 charging, please refer to appropriate condensing unit IOM.



**A** Condensate drain for ceiling mounting

**B** Condensate drain for floor mounting

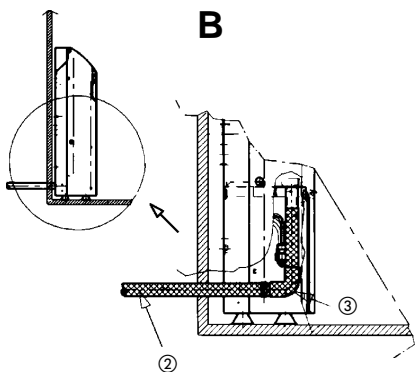
- ① Flare connection cap
- ② PVC pipe
- ③ Elbow

### NOTES:

- The AccuRater metering device is located in the indoor unit. Refer to the outdoor unit installation manuals.
- Elbow shown in figures is field supplied (the size of the elbow is 26.7 mm I.D.).

### Refrigerant tube size

Model	Liquid	Suction
036	9.52 mm (3/8")	19.05 mm (3/4")
048	9.52 mm (3/8")	19.05 mm (3/4")
060	9.52 mm (3/8")	19.05 mm (3/4")

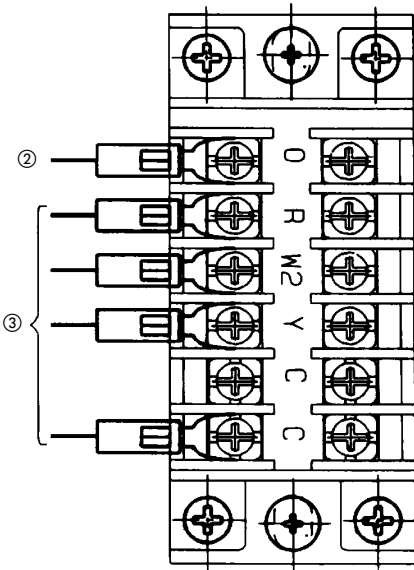
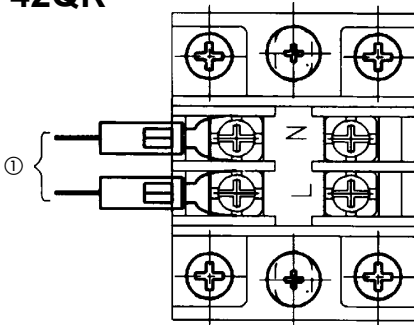


## DRAINAGE PIPING

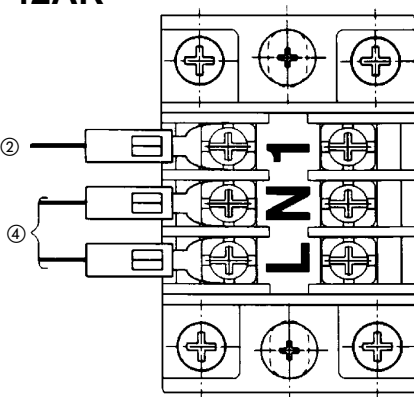
- Open plastic grille to gain access to drainage pipe.
- Ensure unit is level or slightly inclined towards the drain.
- Use pipe accessories provided.
- After connecting piping, check for leaks.

## Electrical wiring

### 42QR



### 42AR



- Be sure to supply power from a dedicated power outlet.
- Wiring should be made in accordance with applicable local codes.
- Open plastic grille and open electrical box.
- Earth both indoor and outdoor units.
- Check for correct wiring of terminals between indoor and outdoor unit.
- Secure the cables with a cable clamp after connecting them to the terminal block.
- Close electrical box and the plastic grille.
- **Power wiring must be installed by authorized electricians only.**

#### NOTE:

Maximum load for terminal block is 15 amps.

- ① Power supply 230V-1PH-50/60Hz
- ② Control signal
- ③ Control signal at low voltage 24V-50/60Hz
- ④ Power supply 230V-1PH-50Hz
- ⑤ Earth

#### Legend:

- O - Reversible valve signal
- R - Connection to 24V
- W2 - Defrost signal
- Y - Compressor signal
- C - 24V common

## Start-up and operation

For start-up instruction, please refer to respective condensing unit I.O.M.

## Troubleshooting chart

If problems occur while operating the system, please review manual and check the following items:

### System not operating:

- Check mains power; has fuse or circuit breaker blown?  
*Replace the fuse or reset the circuit breaker.*
- Has there been a power failure?  
*After a power failure, the system must be restarted using the hand-held Remote Controller.*

### Insufficient cooling or heating:

- Clean air filter if dirty.
- Has thermostat setting been changed?  
*Reset if necessary.*
- Close the window or door if open so that the unit can operate properly.
- Check that there is no obstruction on outdoor unit so that the system can operate properly.
- Check condensing unit I.O.M. troubleshooting section.

If the above measures fail to solve the problem, please contact your local Carrier Agent.

## Accessories supplied

Description	Qty.
Remote control	1
Plug, wall	2
Bracket, holder	1
Rubber grommet	4
Batteries	2
Screw, mounting	2
Tube, insulation	1
Pipe, drain	1
Tape, insulation (mm)	200

---

The manufacturer reserves the right to change any product specifications without notice.

