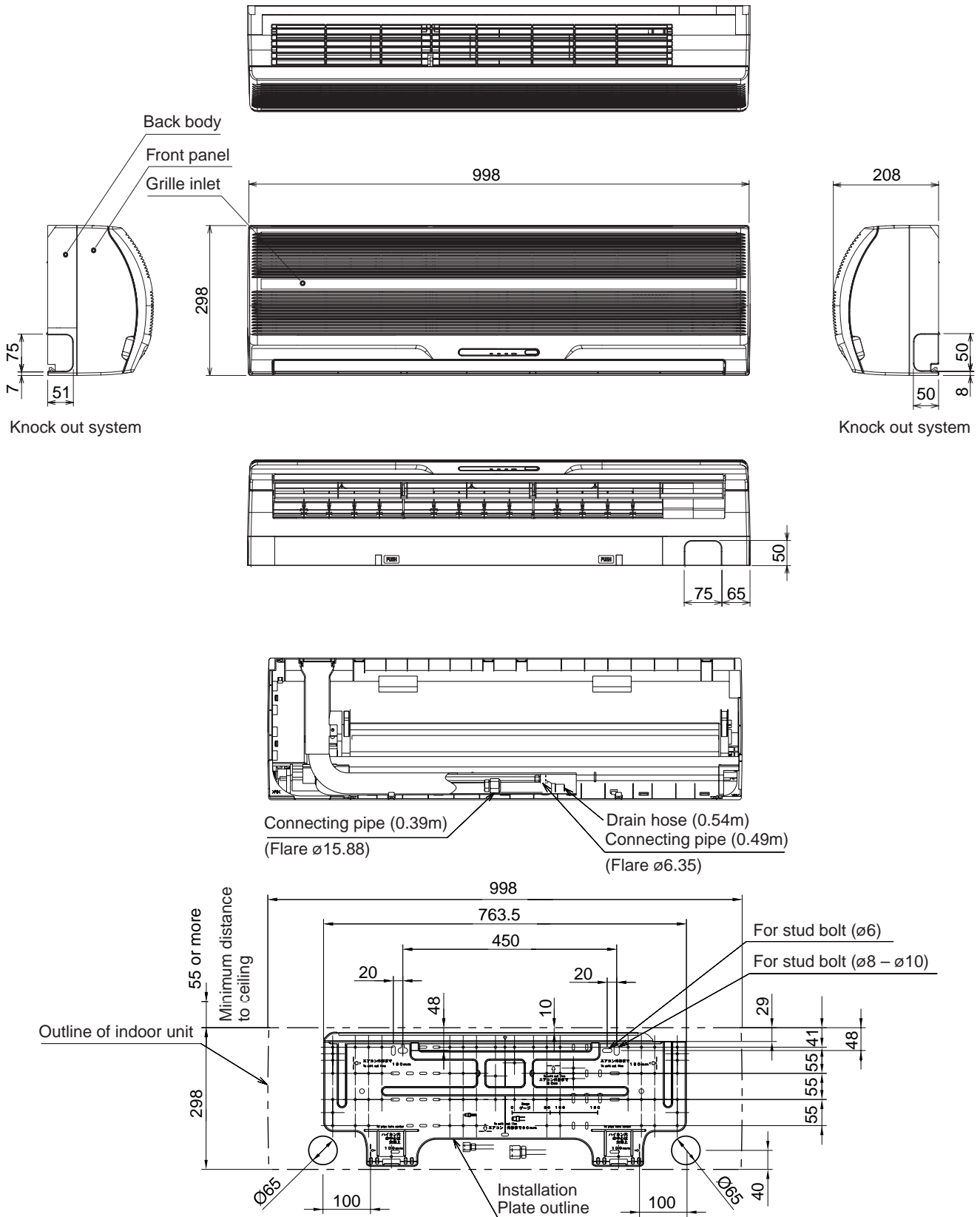
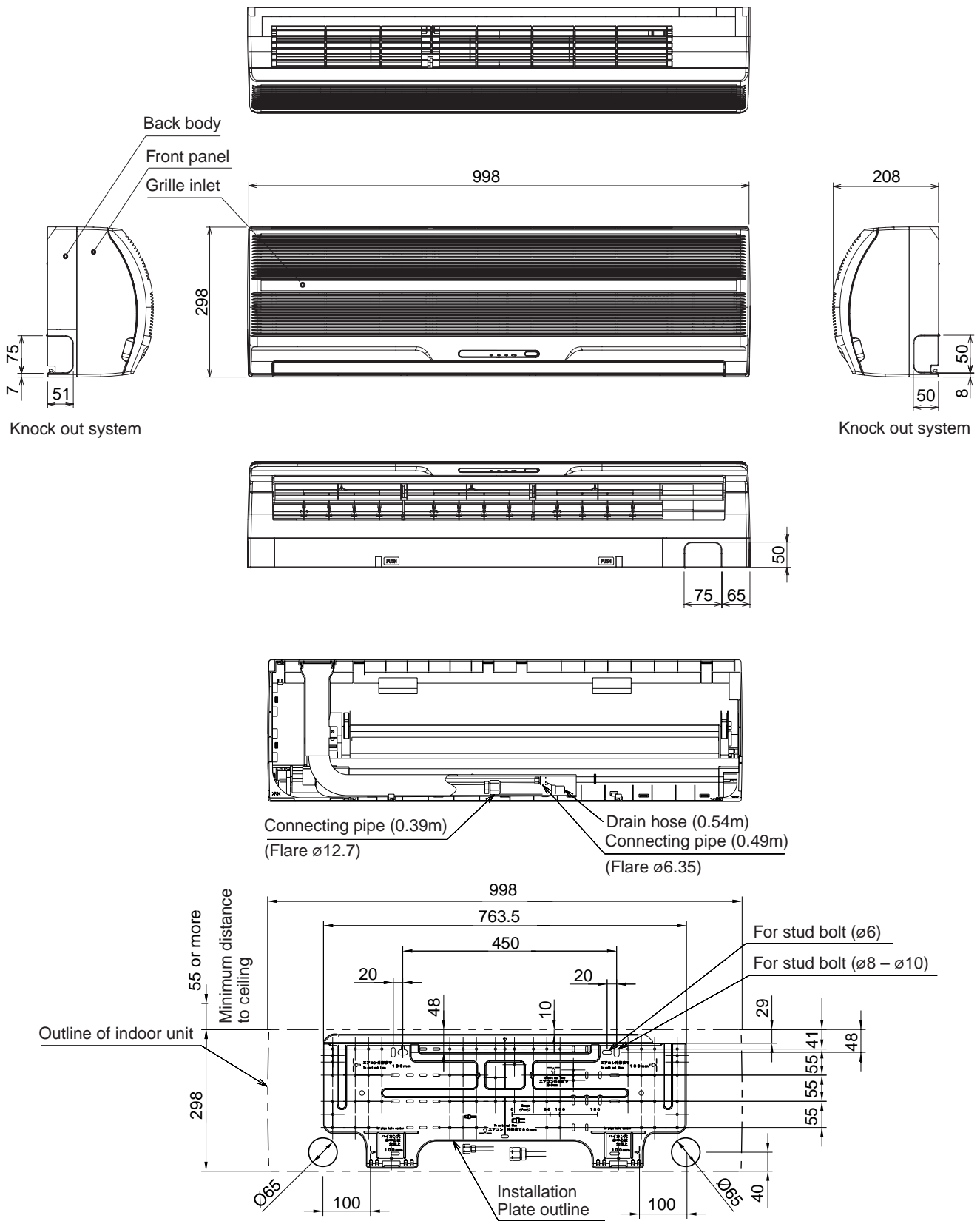


2. CONSTRUCTION VIEWS

2-1. Indoor Unit (RAS-24UKX, RAS-24UK-AR)



2-2. Indoor Unit (RAS-18UKX, RAS-18UK-AR)



2-3. Outdoor Unit (RAS-24UAX, RAS-24UA-AR)

