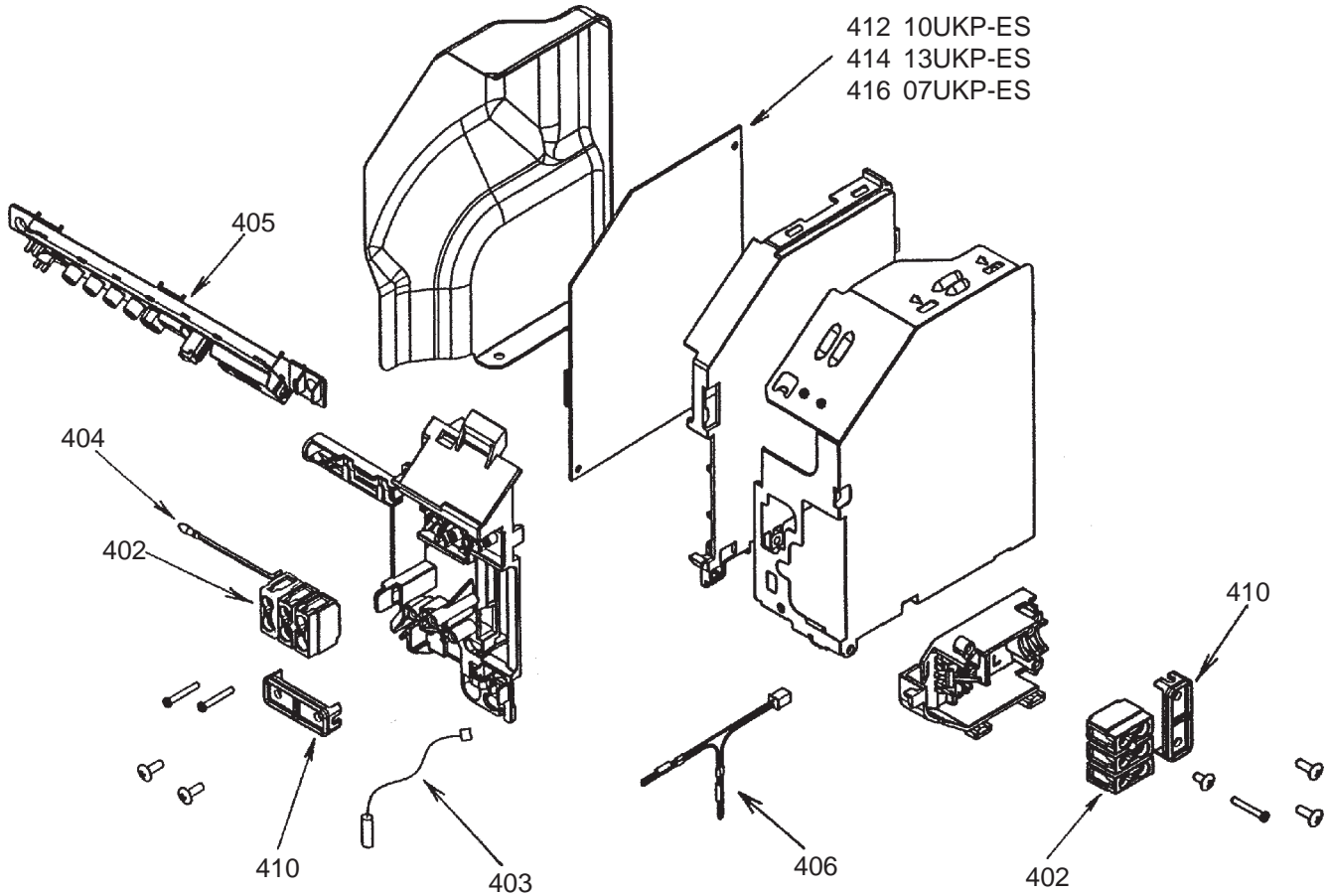


## 11. EXPLODED VIEWS AND PARTS LIST

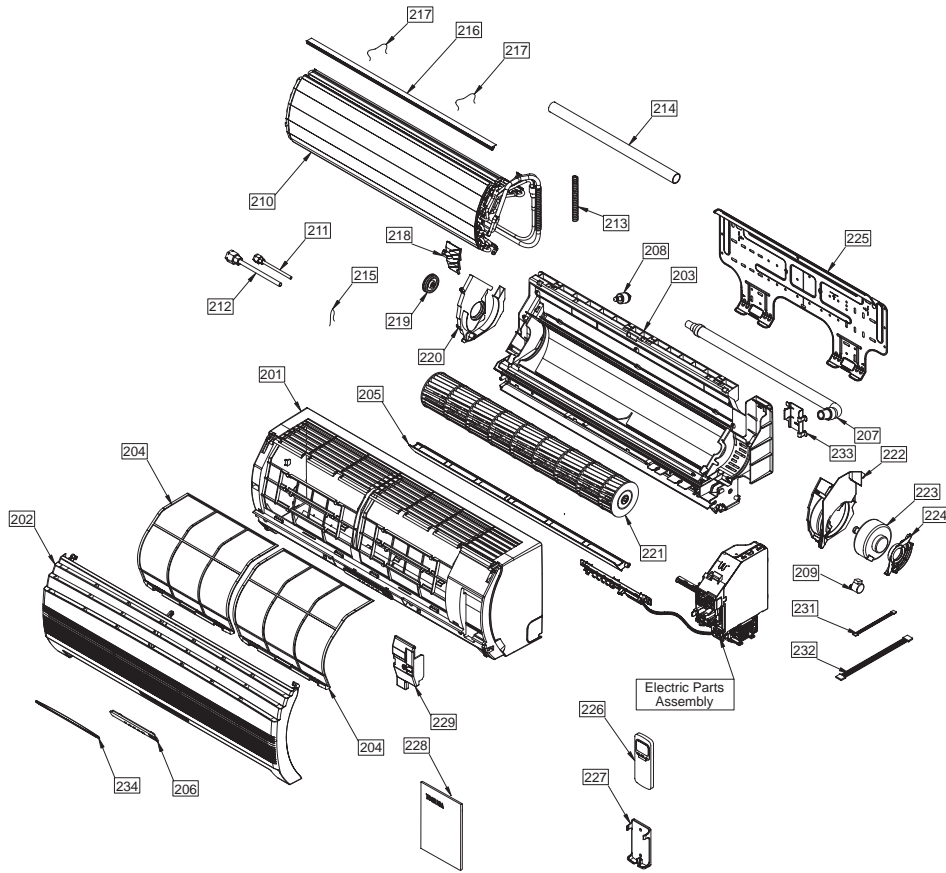
### 11-1. Indoor Unit (E-Parts Assy)



Location No.	Part No.	Description
402	43T60002	Terminal Block, 3P 3P AC300V, 20A
403	43T69004	Sensor, Heat Exchanger 10kΩ 25°C
404	43T69005	Sensor, Thermostat 10kΩ 25°C
405	43T69079	P.C. Board ASSY, WRS-LED MCC-861
406	43T60077	Fuse, Temperature, 77°C

Location No.	Part No.	Description
410	43T62003	Cord Clamp
412	43T69076	P.C. Board (RAS-10UKP-ES)
414	43T69078	P.C. Board (RAS-13UKP-ES)
416	43T69324	P.C. Board (RAS-07UKP-ES)

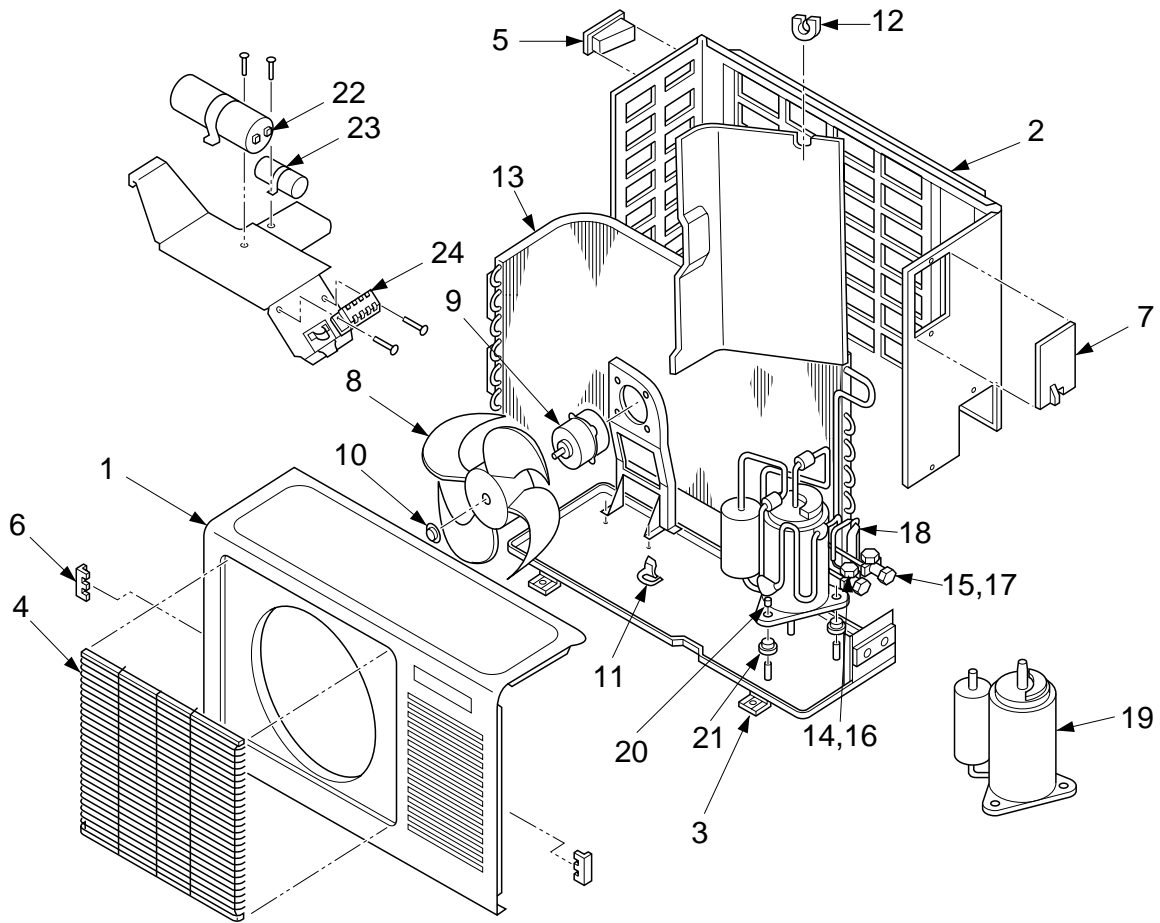
11-2. Indoor Unit



Location No.	Part No.	Description
201	43T00352	Front Panel Assy
202	43T09308	Inlet Grille Assy
203	43T03302	Back Body Assy
204	43T80301	Air Filter
205	43T09309	Horizontal Louver
206	43T08351	LED Panel Assy
207	43T70002	Drain Hose
208	43T79301	Cap Drain
209	43T21321	Motor, Louver, MP24GA, DC 12V
210	43T44321	Refrigeration Cycle Assy (RAS-07UKP-ES)
210	43T44322	Refrigeration Cycle Assy (RAS-10UKP-ES)
210	43T44323	Refrigeration Cycle Assy (RAS-13UKP-ES)
211	43T47006	Pipe, Delivery Ø6.35
212	43T47005	Pipe, Suction Ø9.52
213	43T49009	Spring
214	43T11301	Pipe Shield (RAS-10UKP-ES, RAS-07UKP-ES)
214	43T11302	Pipe Shield (RAS-13UKP-ES)

Location No.	Part No.	Description
215	43T19302	Holder Sensor
216	43T49302	Plate of EVA Seal
217	43T49006	Holder, Plate EVA Seal
218	43T79302	Guide Drain
219	43T22002	Bearing
220	43T39301	Base, Bearing
221	43T20302	Cross Flow Fan
222	43T39302	Band Motor-L
223	43T21322	Motor, Fan, MMF-240-20-4A-1, AC 220-240V
224	43T39303	Band Motor-R
225	43T82301	Plate, Installation
226	43T69307	Remote Controller, Wireless WC-H1UE
227	43T83003	Holder Remote Controller
228	43T85327	Owner's Manual
229	43T62302	Terminal Cover
231	43T60317	Cord Motor Louver
232	43T60316	Cord Motor Fan
233	43T07303	Holder Pipe
234	43T01004	Mark

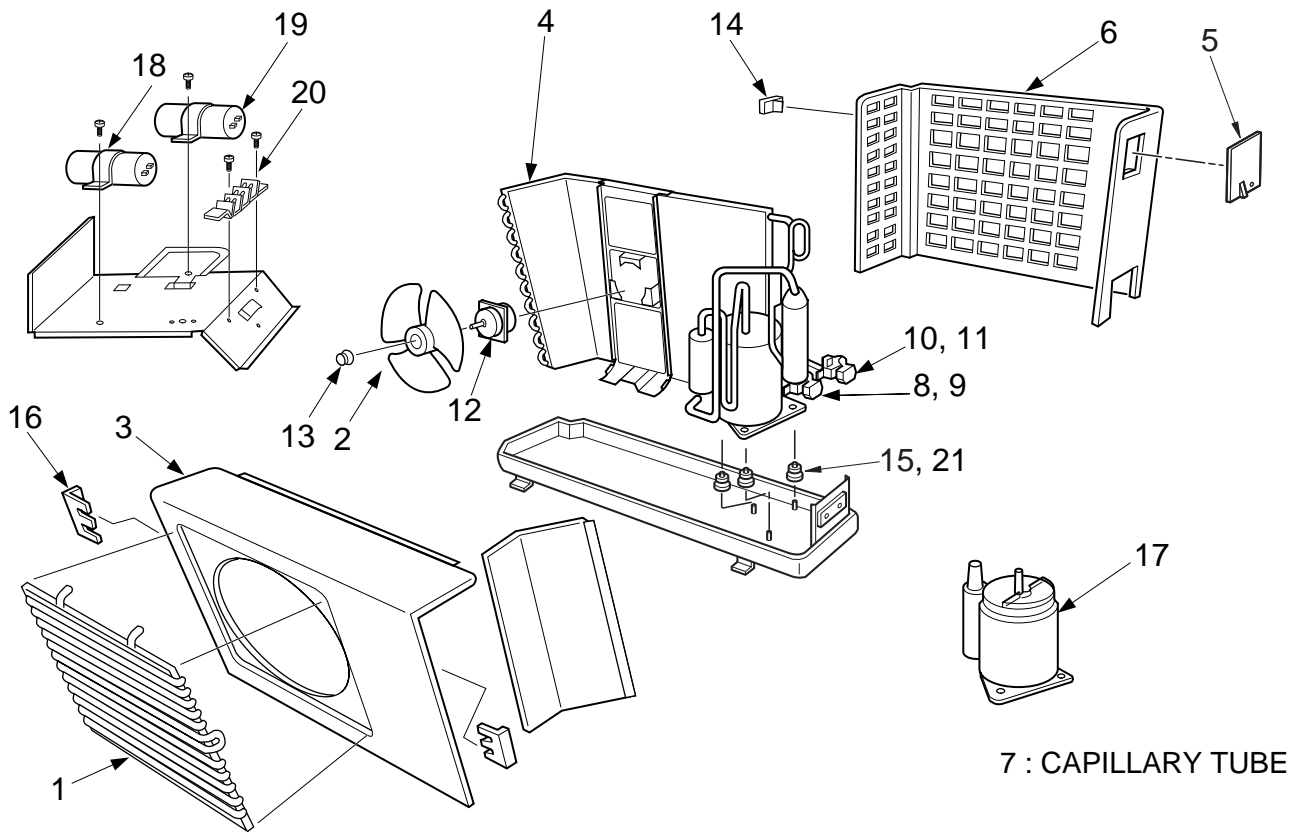
11-3. Outdoor Unit (RAS-13UA-ES)



Location No.	Part No.	Description
01	43005144	Cabinet, Front
02	43005143	Cabinet, Back
03	43042446	Base
04	43T19007	Guard-Fan
05	43T19005	Handle
06	43T19002	Guard-Stopper
07	43T62007	Cover, E-Parts
08	43020302	Fan, Propeller
09	43T21323	Motor, Fan
10	43T47001	Nut, Flange
11	43T63004	Lead-Wire-Cramp
12	43T96001	Bushing

Location No.	Part No.	Description
13	43T43303	Condenser
14	43T46308	Valve, Packed 6.35
15	43T46011	Valve, Packed 9.52
16	43T47020	Bonnet, 6.35 DIA
17	43T47021	Bonnet, 9.52 DIA
18	43T47008	Tube, Capillary, 1.5 DIA
19	43T41303	Compressor, PA150X2T-4FM
20	43T97001	NUT-W-FW
21	43T49008	Cushion, Rubber
22	43T55304	MF-Capacitor, 35 $\mu$ F 370V
23	43T55009	MF-Capacitor, 1.5 $\mu$ F 500V
24	43T60006	Terminal-3P

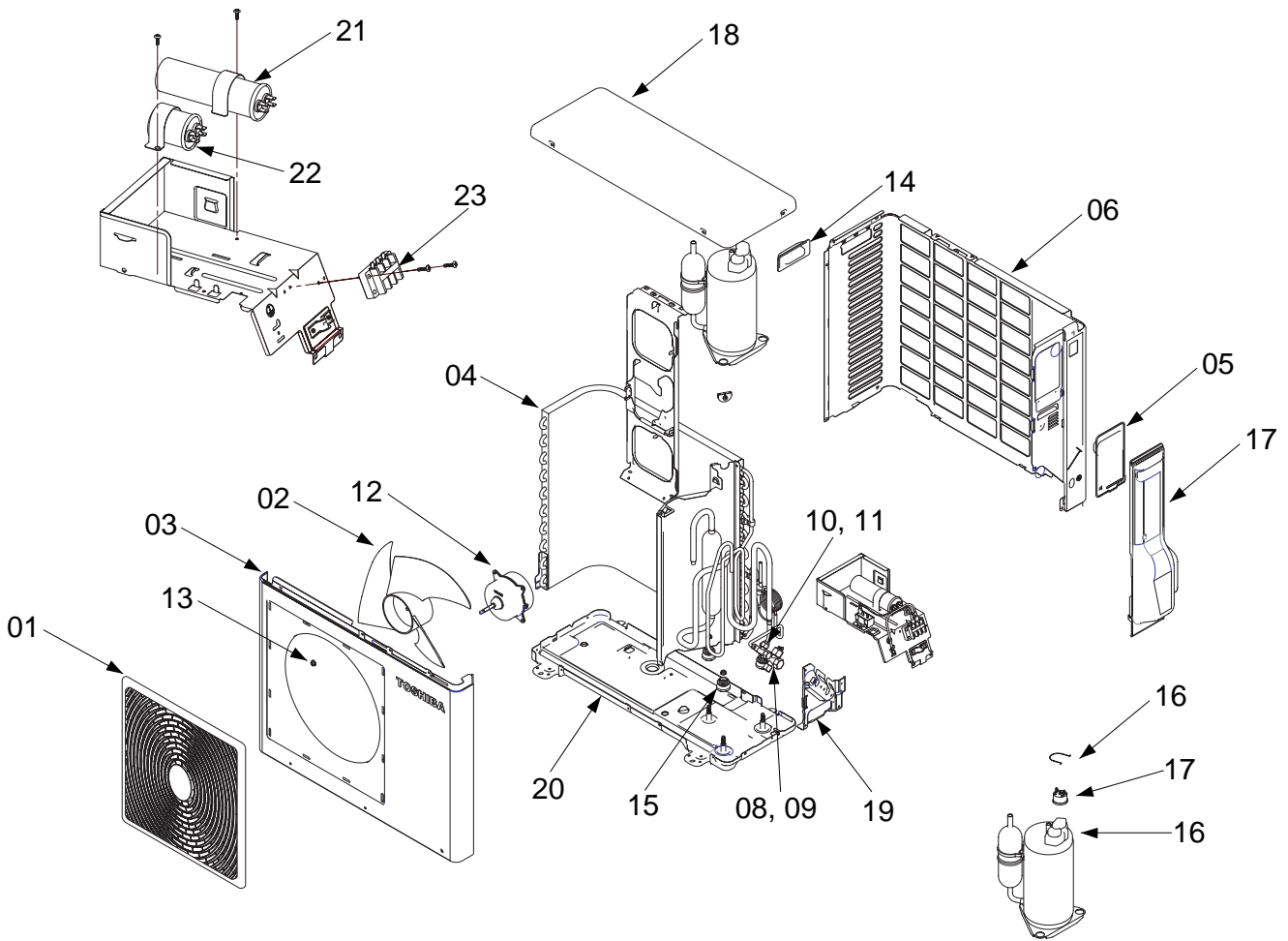
11-4. Outdoor Unit (RAS-10UA-ES)



Location No.	Part No.	Description
01	43T19001	Guard, Fan
02	43T20001	Fan, Propeller
03	43005037	Cabinet, Front
04	43T43302	Condenser
05	43T62007	Cover, E-Parts
06	43T00032	Cabinet, Back
07	43T47008	Tube, Capillary, 1.5 DIA
08	43T46308	Valve, Packed 6.35
09	43T47020	Bonnet, 6.35 DIA
10	43T46011	Valve, Packed 9.52

Location No.	Part No.	Description
11	43T47021	Bonnet, 9.52 DIA
12	43T21323	Motor, Fan
13	43T47001	Nut, Flange
14	43T19005	Handle
15	43T49001	Cushion, Rubber
16	43T19002	Guard, Stopper
17	43T41302	Compressor, PA98X1T-4FZ
18	43T55305	MF-Capacitor, 25 $\mu$ F 370V
19	43T55009	MF-Capacitor, 1.5 $\mu$ F 500V
20	43T60006	Terminal-3P

11-5. Outdoor Unit (RAS-07UA-ES)



Location No.	Part No.	Description
01	43T19311	Guard, Fan
02	43T20306	Fan, Propeller
03	43T00362	Cabinet, Front
04	43T43324	Condenser
05	43T62304	Cover, E-Parts
06	43T00363	Cabinet, Back
07	43T47007	Tube, Capillary, 1.2 DIA
08	43T46011	Valve, Packed 9.52
09	43T47021	Bonnet, 9.52 DIA
10	43T46308	Valve, Packed 6.35
11	43T47020	Bonnet, 6.35 DIA
12	43T21323	Motor, Fan

Location No.	Part No.	Description
13	43T47001	Nut, Flange
14	43T19312	Handle
15	43T49001	Cushion, Rubber
16	43T41402	Compressor, PA79X1T-4FZ5
17	43T62305	Cover, Packed Valve
18	43T00364	Cabinet, Upper
19	43T63301	Fixing Plate Valve
20	43T42301	Base
21	43T55310	MF-Capacitor, 15 $\mu$ F 370V
22	43T55009	MF-Capacitor, 1.5 $\mu$ F 500V
23	43T60006	Terminal-3P