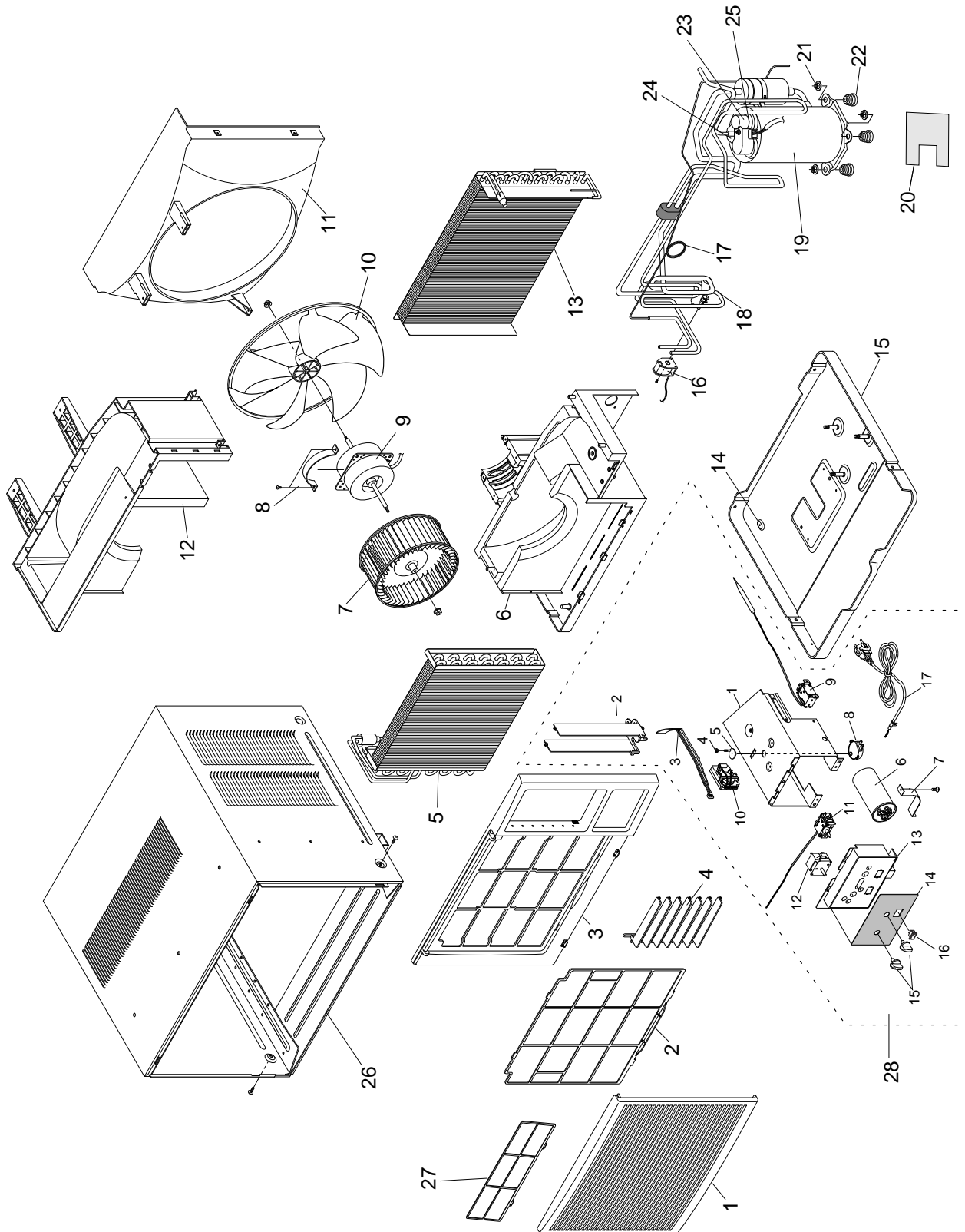


6. Exploded View and Parts List

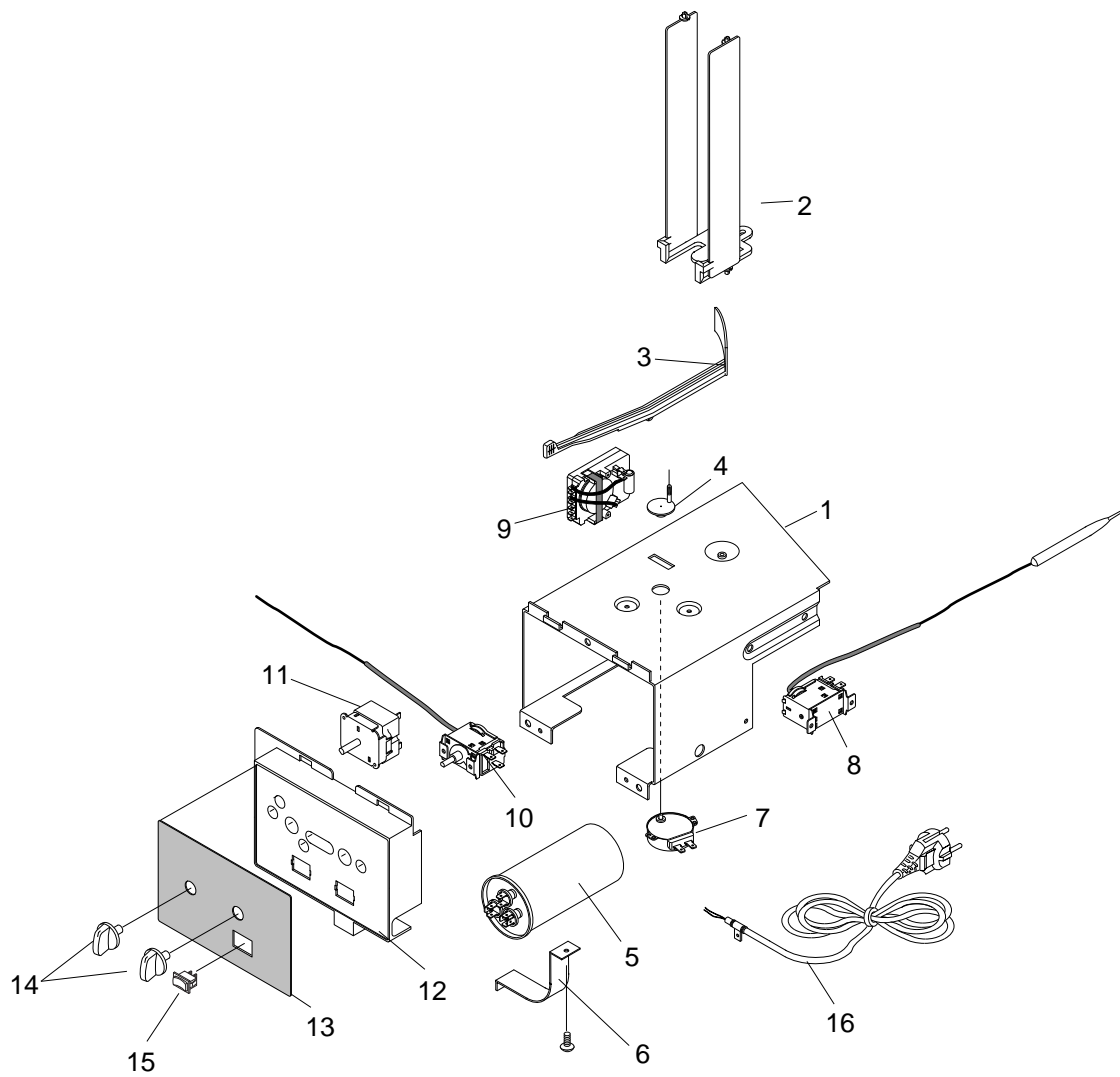
6-1 Main unit



■ Part List

No.	Code No.	Description	Specification	Q'TY		Remarks
				AWH120JE	AWH123JE	
1	DB64-10145A	GRILL AIR INLET	HIPS	1	1	
2	DB63-30142A	GUARD AIR FILTER	HIPS	1	1	
3	DB64-70080A	PANEL FRONT	HIPS	1	1	
4	DB66-30169A	BLADE-H	PP	1	1	
5	DB96-40173A	ASSY EVAP	AWH120JE	1	1	
6	DB90-50133A	ASSY FRAME LOW	AWH120JE	1	1	
7	DB67-50073A	BLOWER	ABS+G/F	1	1	
8	DB65-10101A	CLIP MOTOR	SECC-P	1	1	
9	DB31-10145A	MOTOR	AMAFS110ZTEA	1	1	
10	DB67-50072A	FAN PROPELLER	ABS+G/F	1	1	
11	DB61-10152A	CASE COND	SECC-P	1	1	
12	DB90-50142A	ASSY FRAME UP	AWH120JE	1	1	
13	DB96-30272A	ASSY COND	AWH120JE	1	1	
14	DB63--10355A	CAP DRAIN	CR	1	1	
15	DB90-20198A	ASSY BASE	AWH120JE, 48F	1	1	
16	DB27-10030B	SOLENOID-COIL ASS'Y	AWH090ZE	1	1	
17	DB62-31722A	TUBE CAPILLARY ASS'Y	ID 1.7 L1300	1	1	
18	DB96-10591A	ASSY TUB 4 WAY V/V	ASS'Y	1	1	
19	DB95-10062A	ASS'Y COMP	48H124JV1E4	1	1	
20	DB72-50585A	CLOTHE SOUND	T35	1	1	
21	DB60-30028A	NUT WASHER	M8, ZPC	3	3	
22	DB73-10004A	GROMMET-ISOLATOR	EPDM	3	3	
23	DB63-10165A	COVER TERMINAL	NORYL, BLK	1	1	
24	DB60-30018A	NUT-FLANGE	M5, SM20C	1	1	
25	DB47-20001Z	OLP-POLYESTER	MRA12030-12008	1	1	
26	DB90-10586A	ASS'Y CABINET	ASS'Y	1	1	
27	DB63-30145A	GUARD-C/FILTER	PP	-	1	
28	DB93-40644A	ASS'Y CONTROL	AWH120JE	1	1	

6-2 Ass'y Control



■ Part List : ASS'Y CONTROL

No.	Code No.	Description	Specification	Q'TY		Remarks
				AWH120JE	AWH123JE	
0	DB93-40644A	ASS'Y CONTROL M	AWH120JE	1	1	
1	DB61-10153A	CASE CONTROL	SECC-P, TO.8	1	1	
2	DB66-30170A	BLADE-V	PP	1	1	
3	DB66-70024A	LEVER DAMPER	HIPS	1	1	
4	DB66-70022A	ARM-BLADE	ABS	1	1	
5	2501-001124	C-OIL	3.5/30 μ F, 450VAC	1	1	
6	DB65-10100A	CLIP-CAPACITOR	SECC-P, TO.8	1	1	
7	DB95-20065F	SWING MOTOR	M2LJ49ZU32	1	1	
8	DB47-20065A	THERMOSTAT DEICE	3Pin	1	1	
9	DB45-10009A	TIMER-DEFROST	D2506, 50Min	1	1	
10	DB47-20060A	THERMOSTAT	BUA-129	1	1	
11	DB34-90085A	SELECTOR-SWITCH	5PIN, 7STEP	1	1	
12	DB64-70081A	PANEL-CONTROL M	HIPS	1	1	
13	DB64-40169A	INLAY-CONTROL M	AWH120JE	1	1	
14	DB64-50138A	KNOB-THERMO	ABS	2	2	
15	DB34-90022A	SEESAW-SWITCH	6A, 250V, 2Pin	1	1	
16	DB39-10086A	POWER CORD ASSY	UCP-2	1	1	