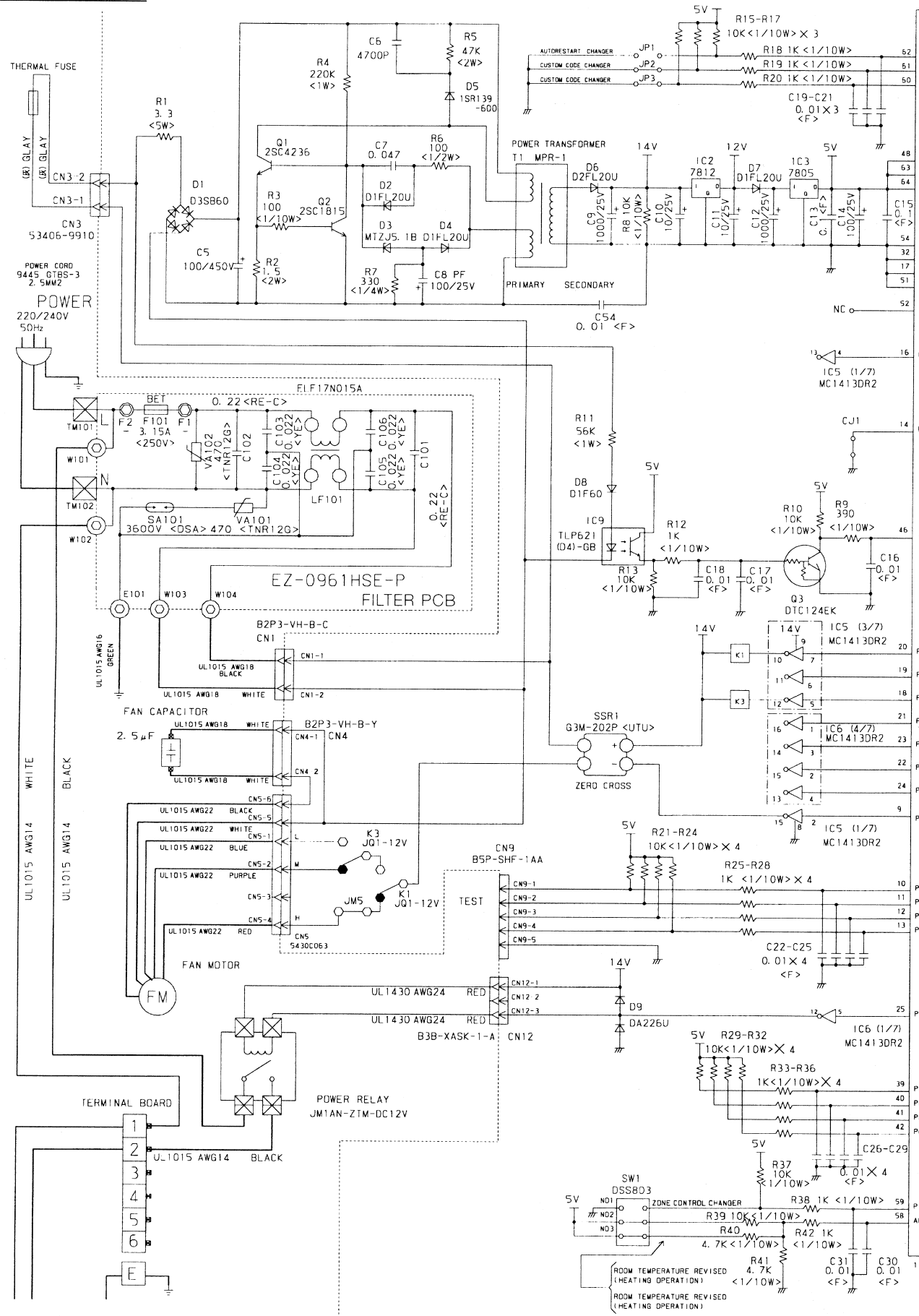
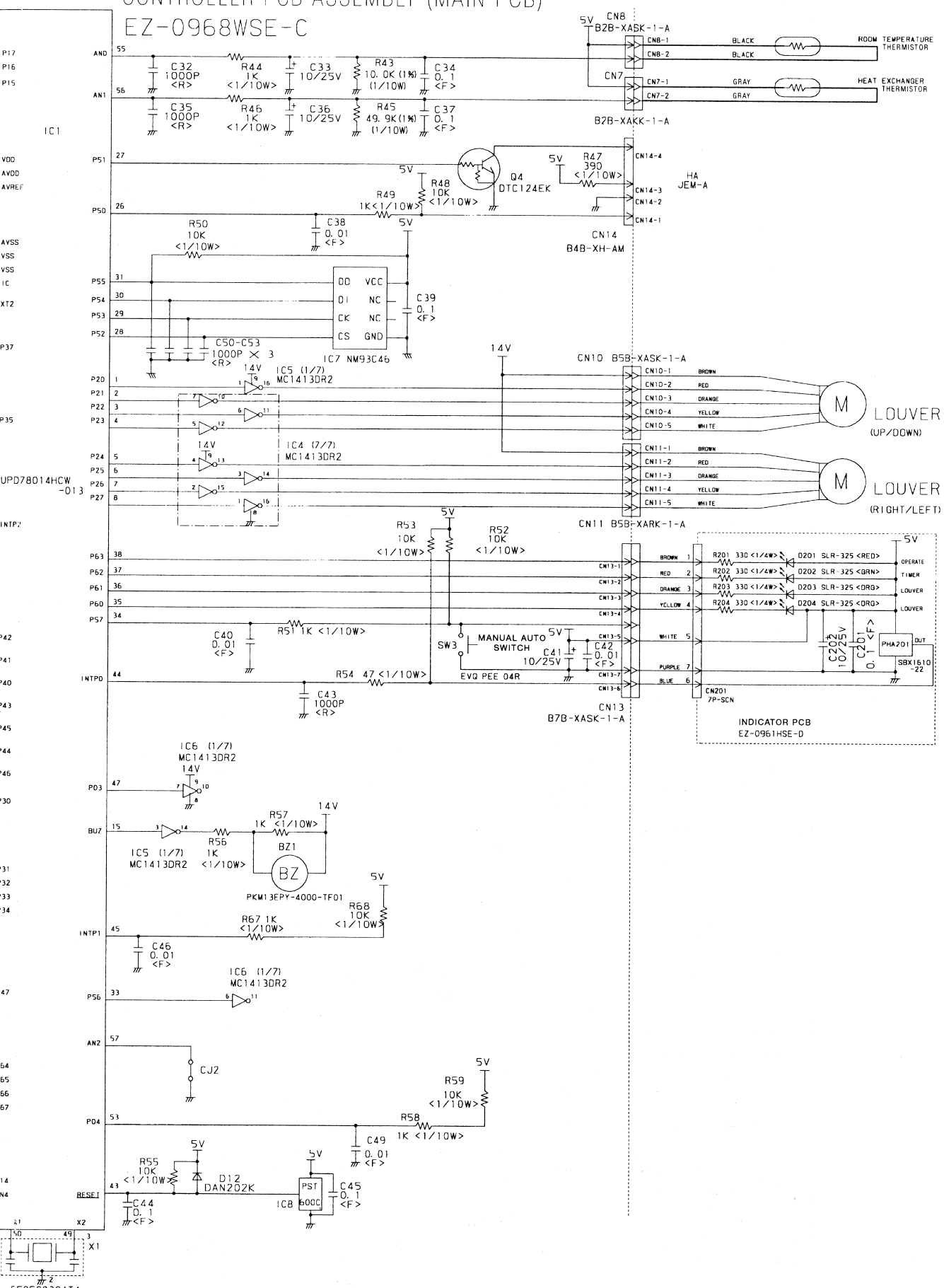


Models : ASG20AGD-W
 ASG20AGR-W
 ASG24AGD-W
 ASG24AGR-W

INDOOR PRINTED CIRCUIT BOARD CIRCUIT DIAGRAM

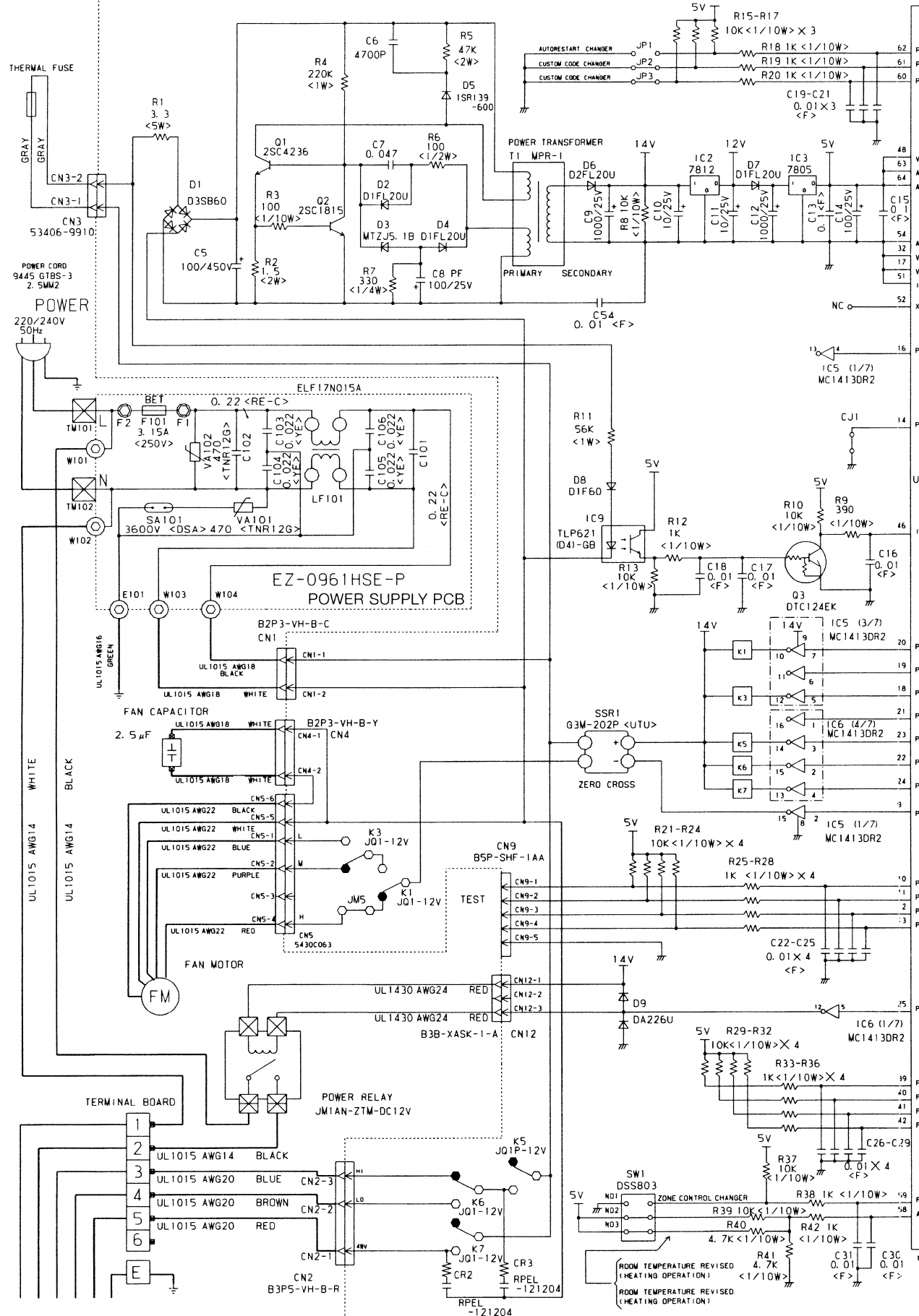


CONTROLLER PCB ASSEMBLY (MAIN PCB) EZ-0968WSE-C

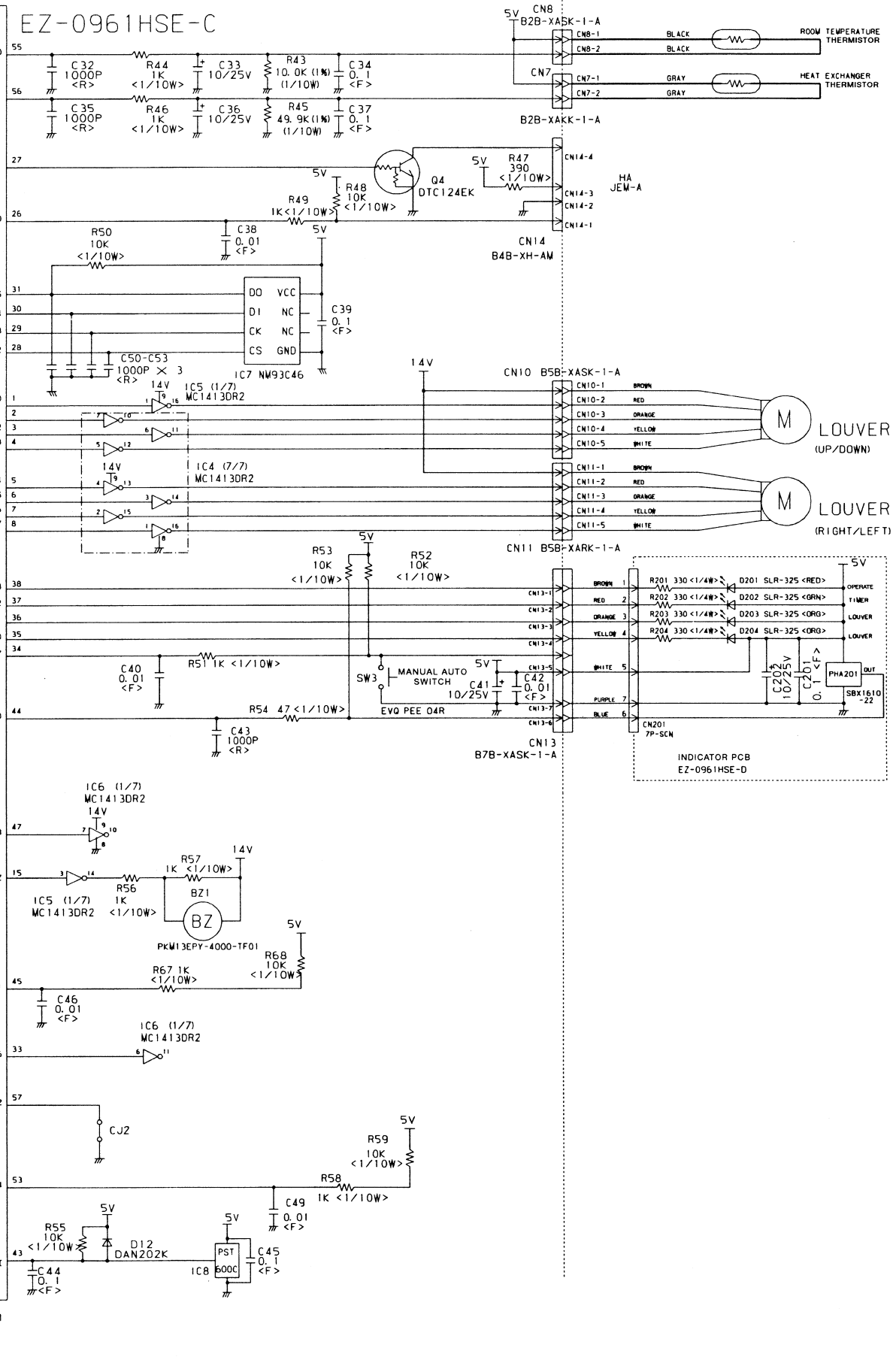


OUTDOOR UNIT

Models : ASG20RGD-W
 ASG20RGR-W
 ASG24RGD-W
 ASG24RGR-W



CONTROLLER PCB ASSEMBLY (MAIN PCB)



OUTDOOR UNIT