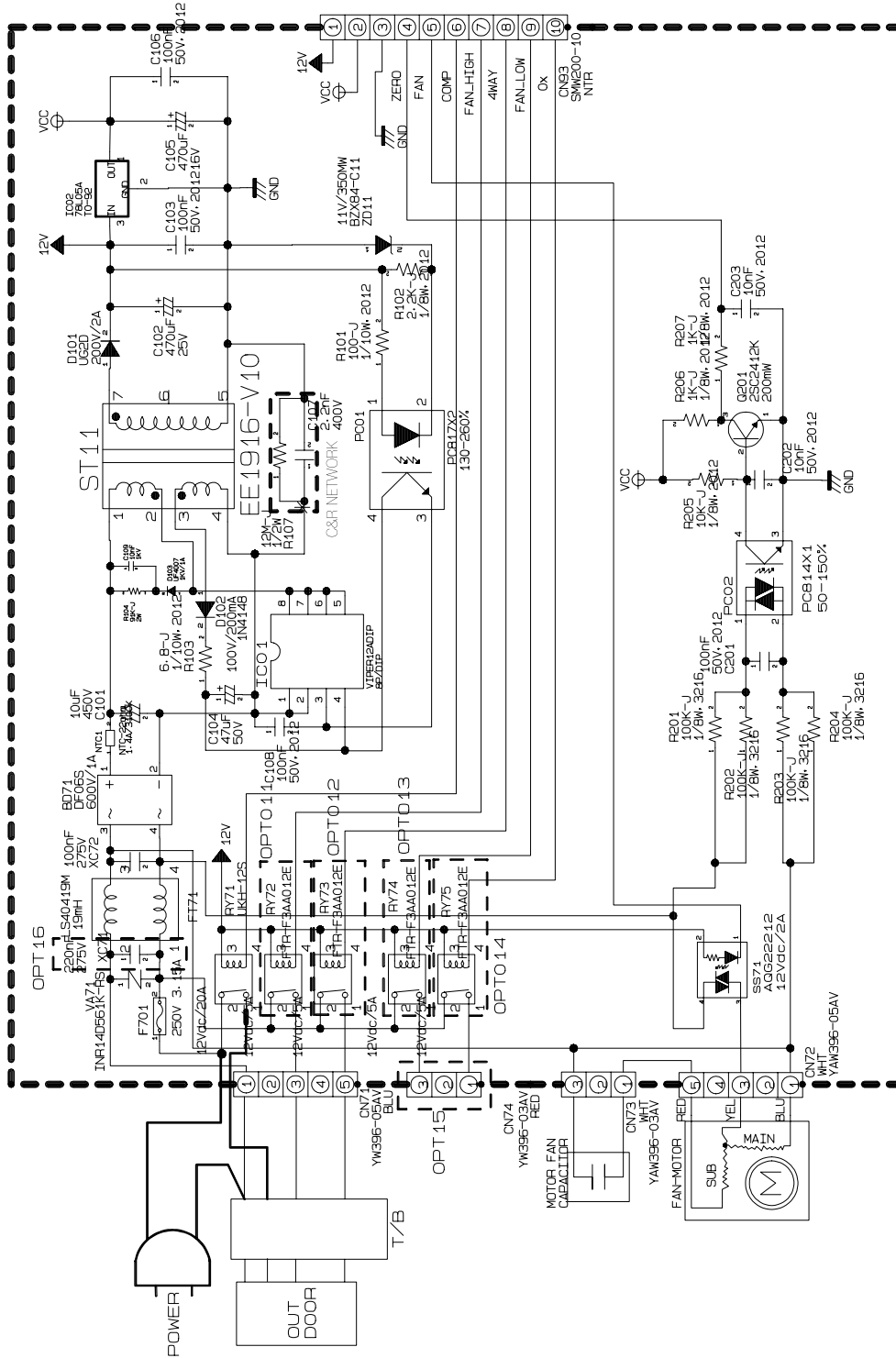


9. Schematic Diagram

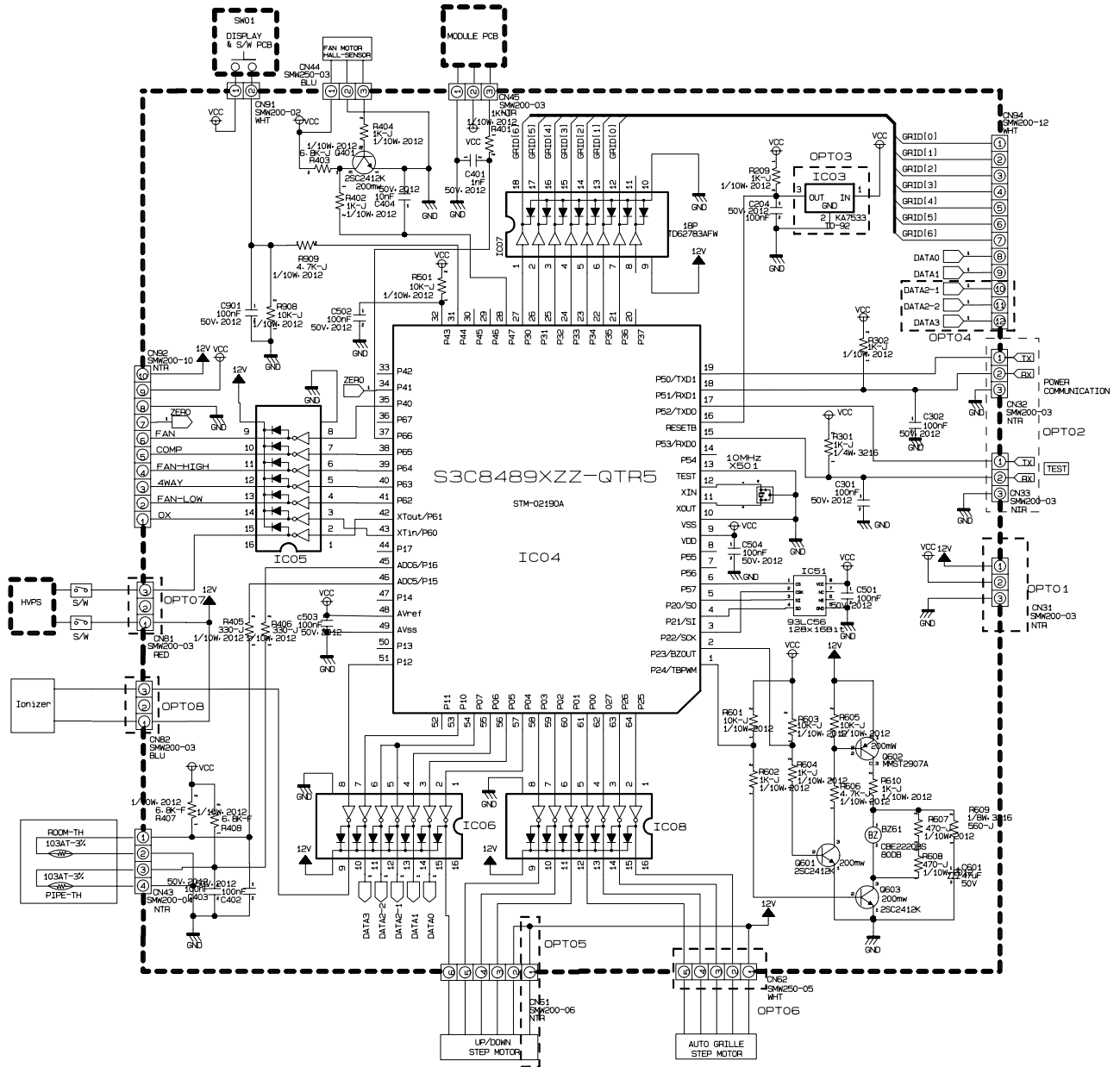
9-1 Indoor Unit

9-1-1 18K / 24K BTU (AC-PART)



This Document can not be used without Samsung's authorization.

9-1-2 18K / 24K BTU (DC-PART)



This Document can not be used without Samsung's authorization.

MEMO

MEMO