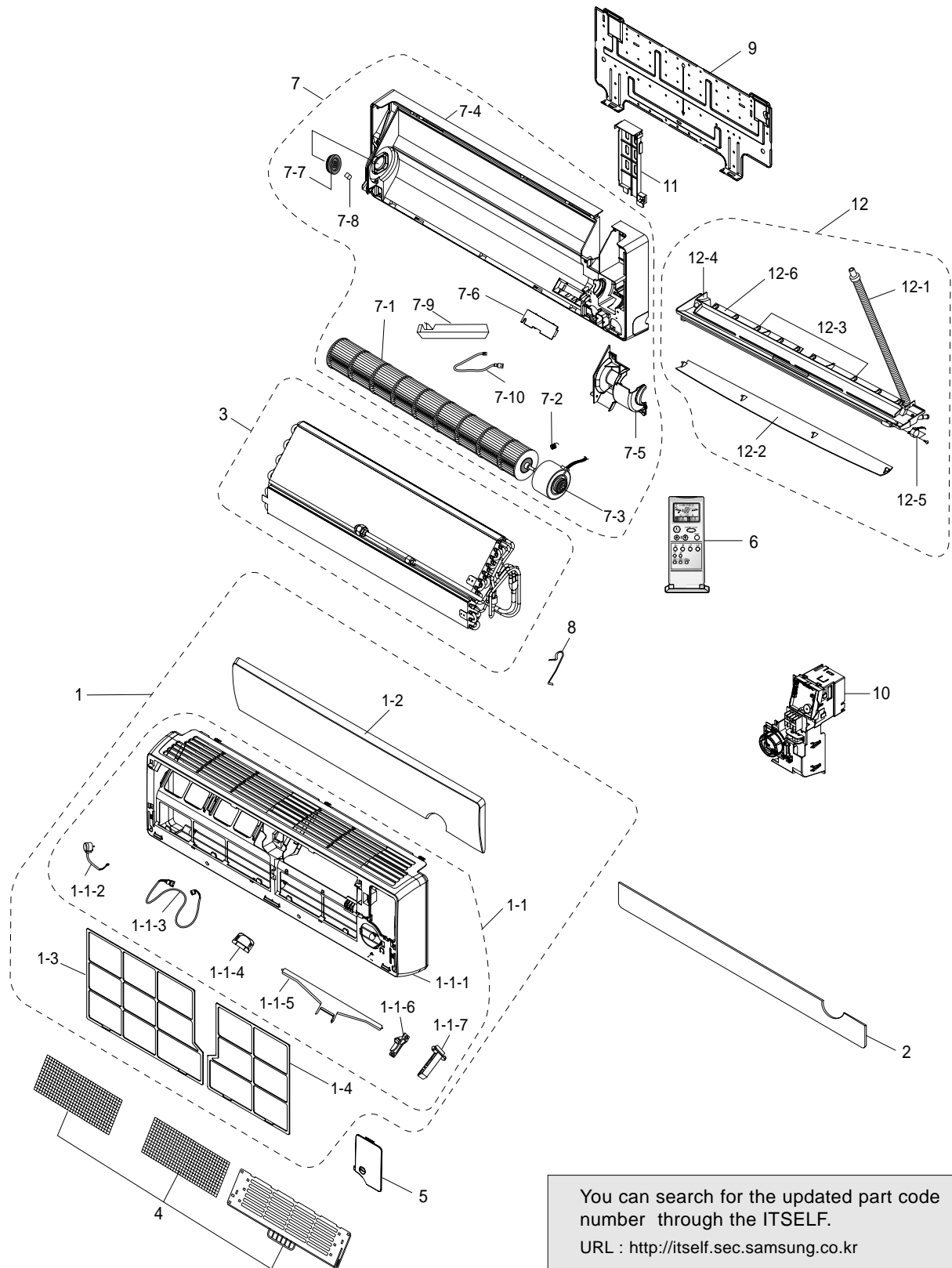


# 4. Exploded Views and Parts List

## 4-1 Indoor Unit



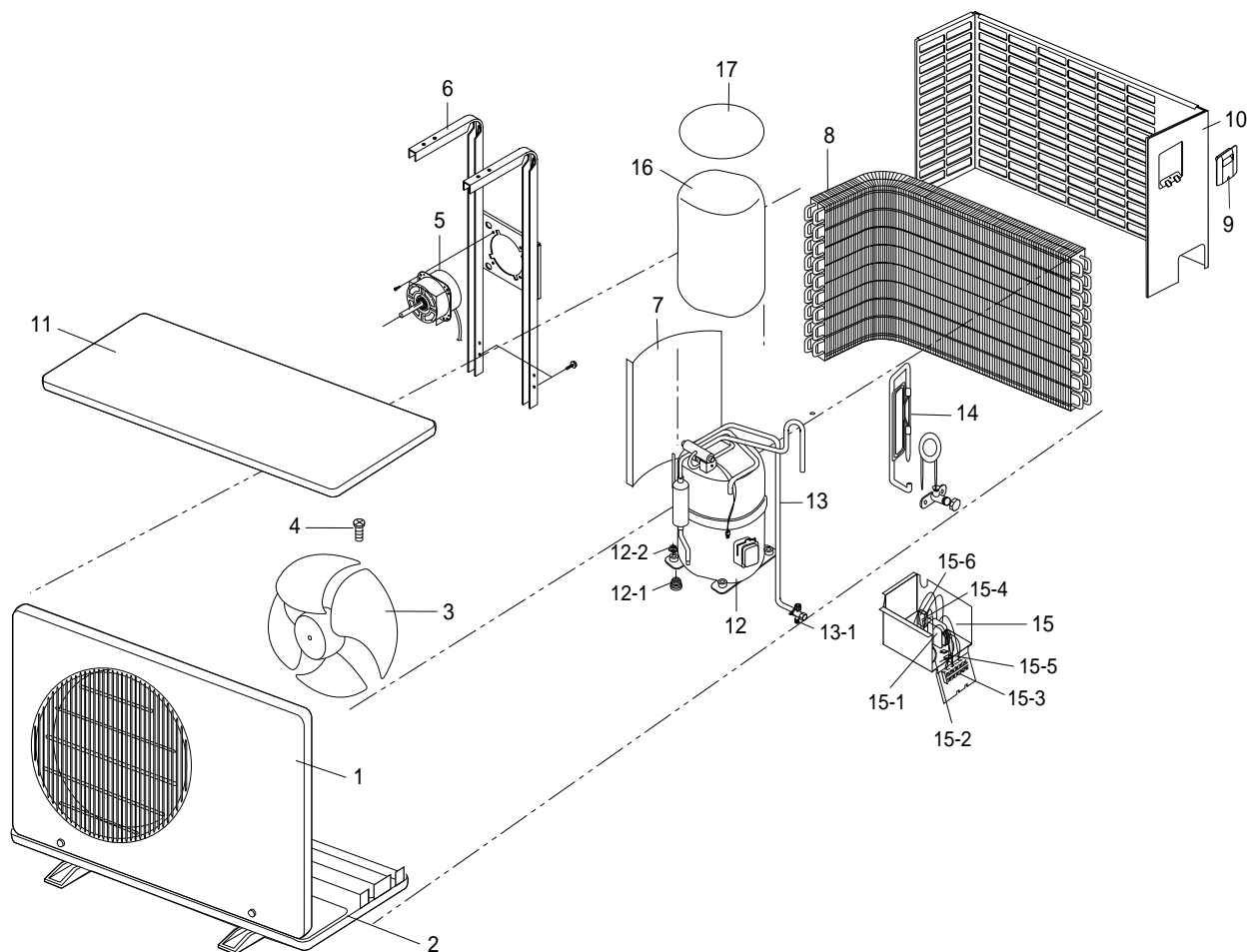
You can search for the updated part code number through the ITSELF.  
URL : <http://itself.sec.samsung.co.kr>

■ Indoor Unit Parts List

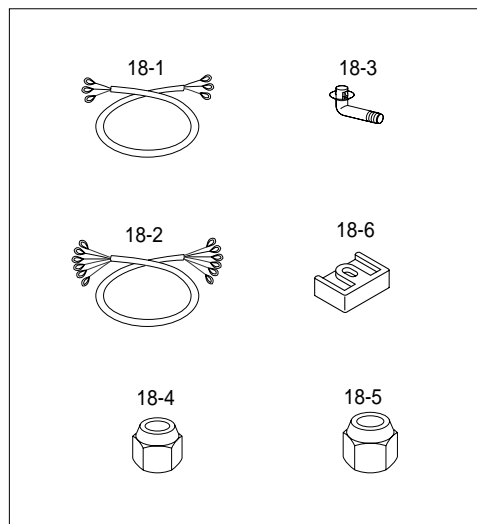
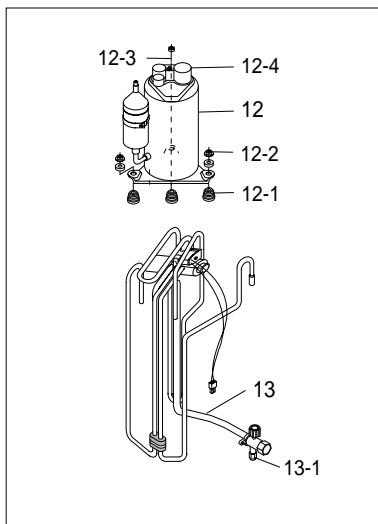
No.	Code No.	Description	Specification	Q'TY				Remark
				SH24TP6	**24**	SH18ZP0	**18**	
1	DB92-00447A	ASSY PANEL FRONT-TOTAL	ASSY	1	1	1	1	
1-1	DB92-00471A	ASSY PANEL FRONT-SUB	ASSY	1	1	1	1	
1-1-1	DB92-00386A	ASSY PANEL FRONT	ASSY	1	1	1	1	
1-1-2	DB31-00195A	MOTOR STEPPING	-	1	1	1	1	
1-1-3	DB39-00780A	CONNECT WIRE-STEP MOTOR	-	1	1	1	1	
1-1-4	DB61-01114A	HOLDER MOTOR DC	HIPS	1	1	1	1	
1-1-5	DB61-01144A	HINGE GRILLE	HIPS	1	1	1	1	
1-1-6	DB61-01116A	GUIDE LINK	HIPS	1	1	1	1	
1-1-7	DB66-00366A	LINK MOTOR	ABS	1	1	1	1	
1-2	DB64-00670A	GRILLE UP	HIPS	1	1	1	1	
1-3	DB63-00596A	FILTER-AIR LF	PP	1	1	1	1	
1-4	DB63-00597A	FILTER-AIR RH	PP	1	1	1	1	
2	DB92-00449A	ASSY GRILLE LOW SUB	ASSY	1	1	1	1	
3	DB96-02345A	ASSY EVAP-TOTAL	ASSY	-	-	1	1	
	DB96-02345C	ASSY EVAP-TOTAL	ASSY	1	1	-	-	
4	DB95-00367F	ASSY FILTER BIO	ASSY	1	1	1	1	
5	DB63-00594A	COVER TERMINAL	HIPS	1	1	1	1	
6	DB93-01452G	ASSY REMOCON	ASSY	1	1	1	1	
7	DB94-00298E	ASSY BACK BODY	ASSY	1	1	1	1	
7-1	DB94-00040J	ASSY CROSS FAN	ASSY	1	1	1	1	
7-2	DB60-20011A	BOLT SPECIAL	-	1	1	1	1	
7-3	DB31-10151C	MOTOR-FAN IN	-	1	1	1	1	
7-4	DB61-01135A	BACK BODY	HIPS	1	1	1	1	
7-5	DB61-01136A	HOLDER-MOTOR	PP	1	1	1	1	
7-6	DB63-00580A	COVER-IONIZER	HIPS	1	1	1	1	
7-7	DB73-00128A	RUBBER BEARING	-	1	1	1	1	
7-8	DB94-40007A	BEARING MOTOR	-	1	1	1	1	
7-9	DB93-01629A	ASSY IONIZER	ASSY	1	1	1	1	
7-10	DB93-01383D	ASSY CONNECTOR WIRE ION	-	1	1	1	1	
8	DB67-60030A	SPRING SENSOR	-	1	1	1	1	
9	DB70-00295A	HANGER PLATE	SGCC-M	1	1	1	1	
10	DB93-01824A	ASSY CONTROL IN	ASSY	1	-	1	-	
	DB93-01636A	ASSY CONTROL IN	ASSY	-	1	-	1	
11	DB61-01137A	HOLDER-PIPE	HIPS	1	1	1	1	
12	DB94-00300A	ASSY TRAY DRAIN	ASSY	1	1	1	1	
12-1	DB94-00062B	ASSY HOSE DRAIN	ASSY	1	1	1	1	
12-2	DB61-01141A	BLADE-H	ABS	1	1	1	1	
12-3	DB61-01142A	BLADE-V	PP	1	1	1	1	
12-4	DB63-00598A	TRAY DRAIN	ABS	1	1	1	1	
12-5	DB31-10154A	STEPPING MOTOR	-	1	1	1	1	
12-6	DB63-00699A	GUARD-SAFETY WIRE	-	1	1	1	1	

# 4-2 Outdoor Unit

## ■ 24K BTU



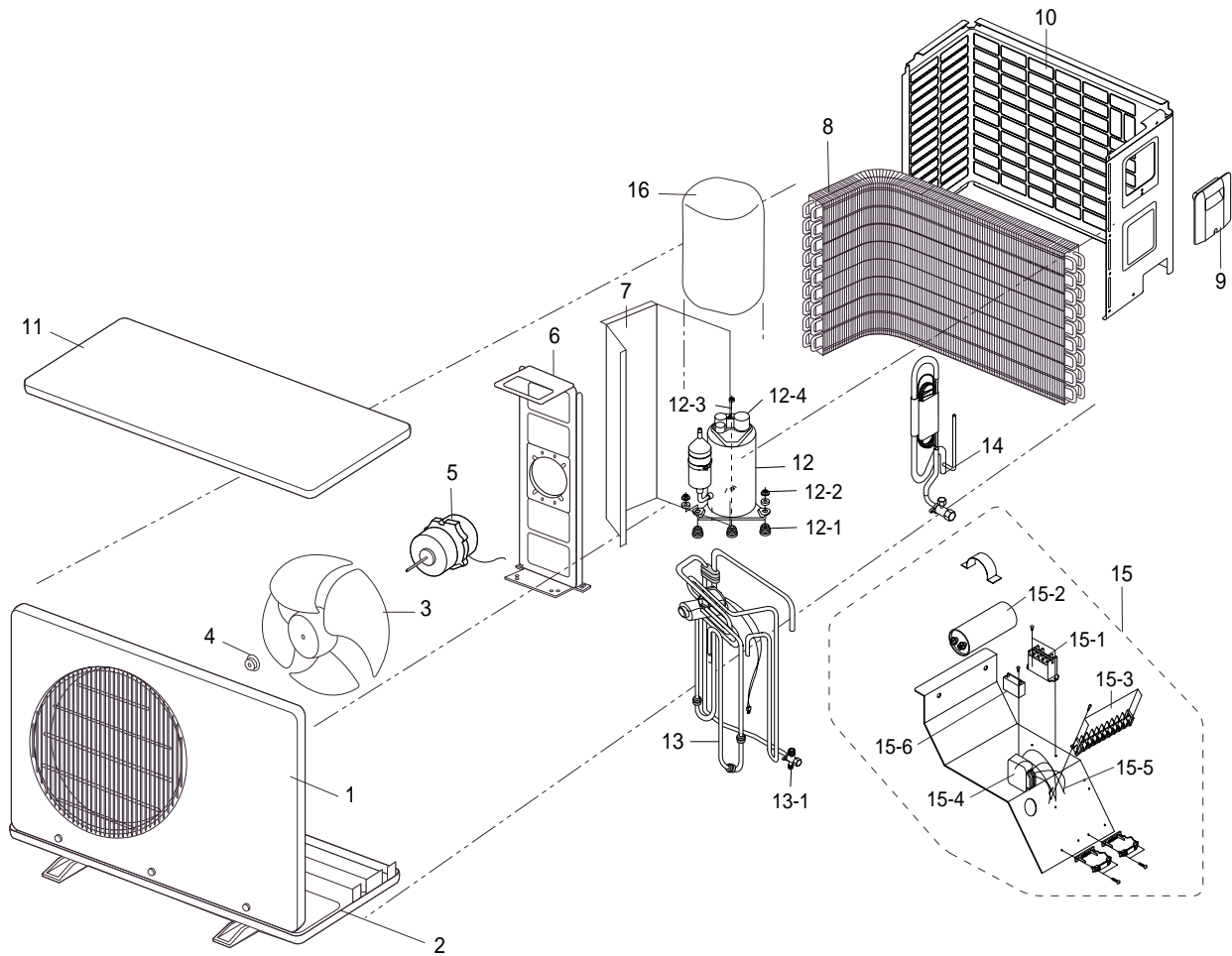
### •UQ24P6GB



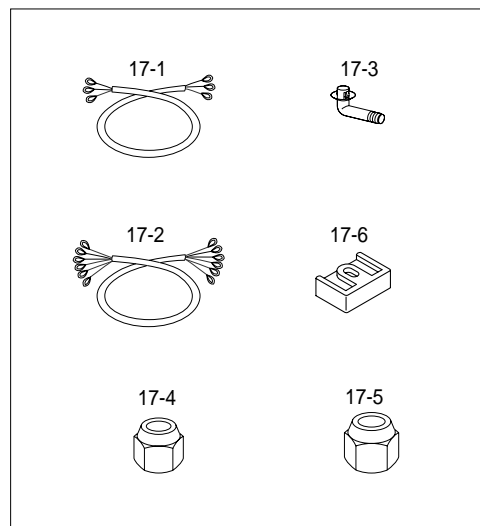
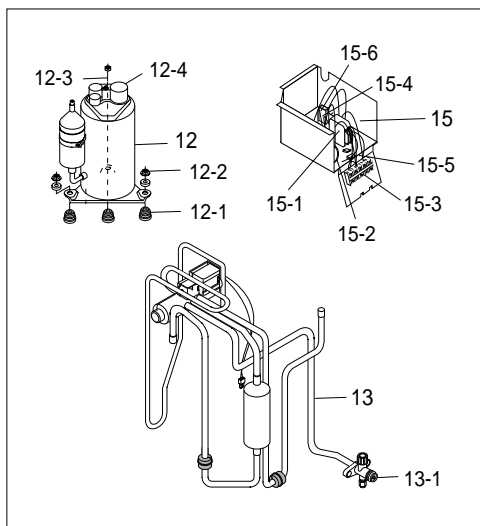
■ Outdoor Unit Parts List

No.	Code No.	Description	Specification	Q'TY				Remark
				SH24TP6(A)X	UQT24P6GB	UQT24P6GE	UQ24P6GB	
1	DB90-00652E	ASSY CABI-FRONT	ASSY	-	-	1	1	
	DB90-00652F	ASSY CABI-FRONT	ASSY	-	1	-	-	
	DB90-00652V	ASSY CABI-FRONT	ASSY	1	-	-	-	
2	DB90-20210N	ASSY BASE OUT	ASSY	-	-	1	-	
	DB90-20210A	ASSY BASE OUT	ASSY	-	1	-	-	
	DB90-20210R	ASSY BASE OUT	ASSY	-	-	-	1	
	DB90-20210T	ASSY BASE OUT	ASSY	1	-	-	-	
	DB67-50074A	FAN-PROPELLER	AS+G/F20%	1	1	1	1	
4	DB60-20020A	BOLT SPECIAL	M8 L25	1	1	1	1	
5	DB31-00027E	MOTOR FAN OUT	OSME-906SRC	1	-	1	-	
	DB31-00027F	MOTOR FAN OUT	OSM-906SRC	-	1	-	1	
6	DB95-20147A	ASSY-MOTOR B/K	ASSY	1	1	1	1	
7	DB94-00080A	ASSY PARTITION	ASSY	-	-	1	1	
	DB94-00080C	ASSY PARTITION	ASSY	1	-	-	-	
	DB94-50039G	ASSY PARTITION	ASSY	-	1	-	-	
8	DB96-01526B	ASSY COND-UNIT	ASSY	1	-	1	1	
	DB96-01353A	ASSY COND-UNIT	ASSY	-	1	-	-	
9	DB90-40176B	ASSY-COVER CONTROL	ASSY	1	1	1	1	
10	DB64-60160E	CABINET-SIDE	SC-90073T	-	-	1	1	
	DB64-60160F	CABINET-SIDE	SC-90073T	1	-	-	-	
	DB64-60160G	CABINET-SIDE	SC-90073T	-	1	-	-	
11	DB90-10616D	ASSY-CABI UPPER	ASSY	-	1	1	1	
	DB90-10616K	ASSY-CABI UPPER	ASSY	1	-	-	-	
12	DB95-00343A	COMPRESSOR	H23B303ABKA	1	-	1	-	
	DB95-10351E	COMPRESSOR	AWG5528EXN	-	1	-	-	
	55A260IU2EM	COMPRESSOR	ROTARY	-	-	-	1	
12-1	DB73-10008A	GROMMET-MOUNT	EPDM	4	-	4	-	
	DB73-00082A	GROMMET-MOUNT	EPDM	-	-	-	3	
12-2	DB60-30028A	NUT-WASHER	M8	4	4	4	3	
12-3	DB60-30018A	NUT-FLANGE	M5	-	-	-	1	
12-4	DB63-10165D	COVER-TERMINAL	NOTYL	-	-	-	1	
13	DB99-00313A	ASSY-4WAY V/V	ASSY	1	-	1	-	
	DB99-10135D	ASSY-4WAY V/V	ASSY	-	1	-	-	
	DB99-00314A	ASSY-4WAY V/V	ASSY	-	-	-	1	
13-1	DB62-40055F	PACKED V/V 5/8"	20LT/MIN	1	1	1	-	
	DB62-00899B	PACKED V/V 5/8"	-	-	-	-	1	
14	DB99-00166B	ASSY VALVE CHECK	ASSY	1	-	1	1	
	DB99-10138B	ASSY VALVE CHECK	ASSY	-	1	-	-	
15	DB93-00679E	ASSY CONTROL OUT	ASSY	-	-	1	-	
	DB93-00679F	ASSY CONTROL OUT	ASSY	-	1	-	-	
	DB93-01162D	ASSY CONTROL OUT	ASSY	-	-	-	1	
	DB93-01846A	ASSY CONTROL OUT	ASSY	1	-	-	-	
15-1	3501-001200	RELAY-POWER	7-22MS	1	-	1	-	
	3501-001199	RELAY-POWER	-	-	1	-	-	
	3501-001184	RELAY-POWER	-	-	-	-	1	
15-2	2501-001239	CAPACITOR	45uF/450VAC	1	-	1	-	
	2501-001237	CAPACITOR	35uF/450VAC	-	1	-	-	
	2501-001240	CAPACITOR	50uF/450VAC	-	-	-	1	
15-3	DB65-00040A	TERMINAL BLOCK	8P	1	1	1	1	
15-4	DB95-90026B	SPARK KILLER	-	1	1	1	1	
15-5	3601-000236	FUSE	2A,250V	1	1	1	1	
15-6	2301-001379	C-FILM, MPE-PPF	4uF/450VAC	1	1	1	1	
16	DB62-01330A	CLOTH-COMP SOUND	FELT	-	-	1	-	
	DB72-50622A	CLOTH-COMP SOUND	FELT	-	1	-	-	
	DB72-00703A	CLOTH-COMP SOUND	FELT	-	-	-	1	
	DB62-02102A	CLOTH-COMP SOUND	FELT	1	-	-	-	
	DB72-50614A	CLOTH-COMP UP	FELT	-	1	-	-	
17	DB72-00702A	CLOTH-COMP UP	FELT	-	-	-	1	
	DB62-02103A	CLOTH-COMP UP	FELT	1	-	-	-	
	DB39-20546E	CONNECT WIRE-POWER	-	-	1	-	1	
18-1	DB39-20546B	CONNECT WIRE-POWER	-	-	-	1	-	
	DB39-00171A	CONNECT WIRE-ASSY	-	-	1	-	1	
18-2	DB39-00171B	CONNECT WIRE-ASSY	-	-	-	1	-	
	DB67-20011A	DRAIN PLUG OUT	PP	1	-	-	-	
18-4	DB60-30010A	NUT FLARE 1/4"	C3771BD	2	-	-	-	
18-5	DB60-30010D	NUT FLARE 5/8"	C3771BD	2	-	-	-	
18-6	DB73-20134A	RUBBER-LEG	NR	4	-	-	-	

■ 18K BTU



•UQT18\*\*



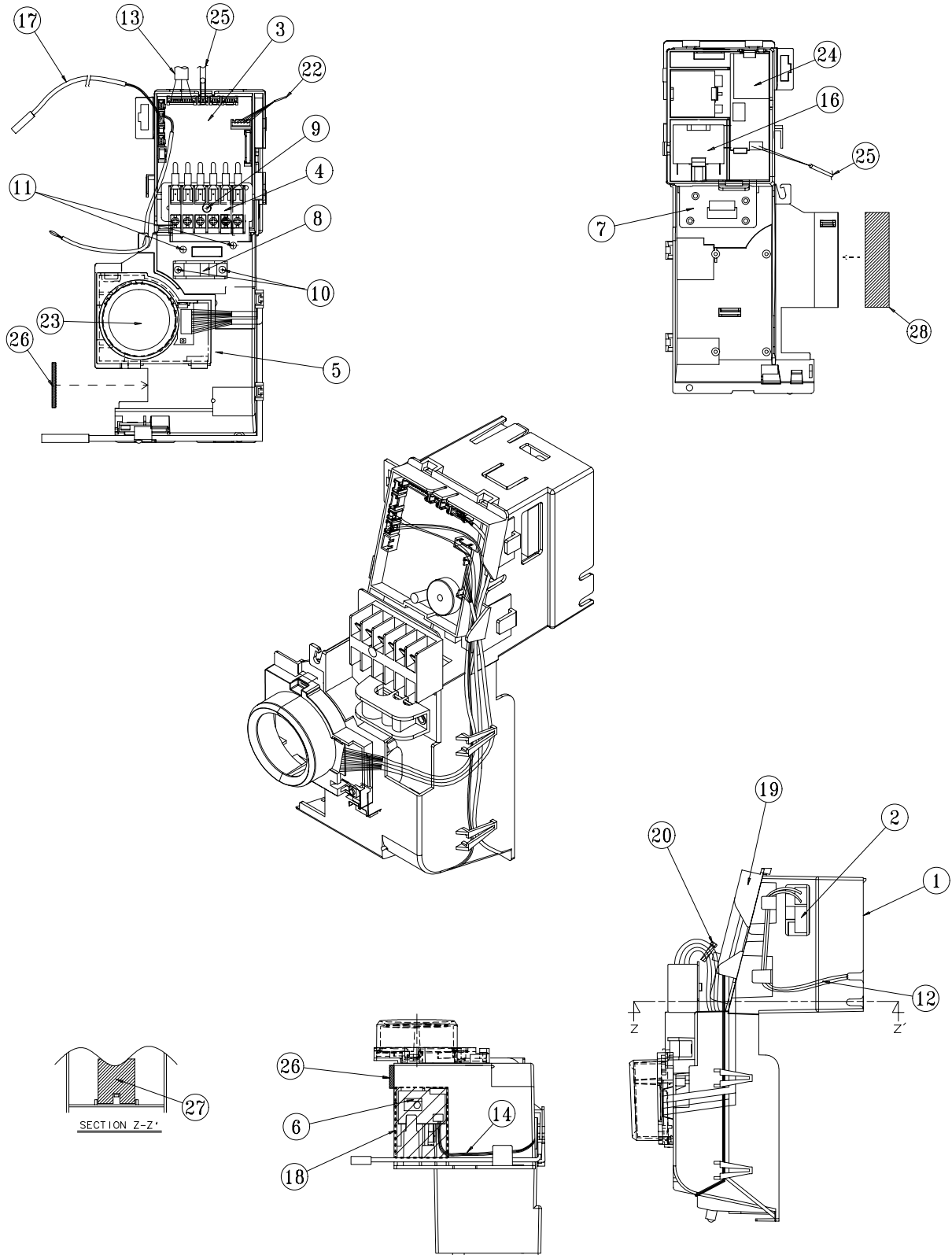
■ Outdoor Unit Parts List

No.	Code No.	Description	Specification	Q'TY					Remark
				SH18ZP0(A)X	UQT18P0GB	UQT18P0GE	UQ18P0GB	UQ18P0GE	
1	DB90-00653Q	ASSY CABI-FRONT	ASSY	1	-	1	-	1	
	DB90-00653P	ASSY CABI-FRONT	ASSY	-	1	-	-	-	
	DB90-00653K	ASSY CABI-FRONT	ASSY	-	-	-	1	-	
2	DB90-20160H	ASSY-BASE OUT	ASSY	1	-	-	1	1	
	DB90-20160L	ASSY-BASE OUT	ASSY	-	1	1	-	-	
3	DB67-50063A	FAN-PROPELLER	AS+G/F20%	1	1	1	1	1	
4	DB60-30020A	NUT-FLANGE	M6,CCW	1	1	1	1	1	
5	DB31-00056C	MOTOR FAN OUT	ASS-030AVEB	1	-	-	-	1	
	DB31-00056D	MOTOR FAN OUT	ASS-030ZTEC	-	1	-	1	-	
	DB31-00056E	MOTOR FAN OUT	IC-9430SLJ5B	-	-	1	-	-	
6	DB61-20008C	BASE-MOTOR	SGCC-M	1	1	1	1	1	
7	DB94-00165B	ASSY PARTITION	ASSY	1	-	-	-	1	
	DB94-50034F	ASSY PARTITION	ASSY	-	1	1	-	-	
	DB94-00165A	ASSY PARTITION	ASSY	-	-	-	1	-	
8	DB96-01524B	ASSY COND-UNIT	ASSY	1	-	-	1	1	
	DB96-01352A	ASSY COND-UNIT	ASSY	-	1	1	-	-	
9	DB90-40176B	ASSY-COVER CONTROL	ASSY	1	1	1	1	1	
10	DB90-10671N	ASSY-CABI BACK	ASSY	1	-	-	-	1	
	DB90-10671M	ASSY-CABI BACK	ASSY	-	1	1	-	-	
	DB90-10671J	ASSY-CABI BACK	ASSY	-	-	-	1	-	
11	DB90-10613E	ASSY CABI-UP	ASSY	1	1	1	-	1	
	DB90-10613D	ASSY CABI-UP	ASSY	-	-	-	1	-	
12	48B180JV2EH	COMPRESSOR	ROTRAY	1	-	-	-	1	
	55A200IT1EM	COMPRESSOR	ROTARY	-	1	-	-	-	
	55A200JT1EM	COMPRESSOR	ROTARY	-	-	1	-	-	
	48D190IU1EH	COMPRESSOR	ROTARY	-	-	-	1	-	
12-1	DB73-00067A	GROMMET ISOLATOR	NR	3	-	-	-	3	
	DB73-00082A	GROMMET ISOLATOR	NR	-	3	3	3	-	
12-2	DB60-30028A	NUT-WASHER	M8	3	3	3	3	3	
12-3	DB60-30018A	NUT-FLANGE	M5	1	1	1	1	1	
12-4	DB63-10165D	COVER-TERMINAL	NOTYL	1	1	1	1	1	
13	DB99-00290A	ASSY VALVE 4WAY	ASSY	1	-	-	-	1	
	DB99-00260B	ASSY VALVE 4WAY	ASSY	-	1	-	-	-	
	DB99-00260C	ASSY VALVE 4WAY	ASSY	-	-	1	-	-	
	DB99-00195B	ASSY VALVE 4WAY	ASSY	-	-	-	1	-	
13-1	DB62-00898B	VALVE SERVICE	1/2"	1	1	1	1	1	
14	DB99-00312B	ASSY VALVE CHECK	ASSY	1	-	-	-	1	
	DB99-10136J	ASSY VALVE CHECK	ASSY	-	1	-	-	-	
	DB99-00312A	ASSY VALVE CHECK	ASSY	-	-	1	-	-	
	DB99-00175A	ASSY VALVE CHECK	ASSY	-	-	-	1	-	
15	DB93-00673A	ASSY-CONTROL OUT	ASSY	1	-	-	1	1	
	DB93-01757A	ASSY-CONTROL OUT	ASSY	-	1	1	-	-	
15-1	3501-001184	RELAY-POWER	30mS	1	1	1	1	1	
15-2	2501-001238	CAPACITOR	40uF/450VAC	1	-	-	1	1	
	2501-001239	CAPACITOR	45uF/450VAC	-	1	1	-	-	
15-3	DB65-00040A	TERMINAL BLOCK	8P	1	1	1	1	1	
15-4	DB95-90026B	SPARK KILLER	ASSY	1	1	1	1	1	
15-5	3601-000236	FUSE	2A,250V	1	1	1	1	1	
15-6	2301-001370	MOTOR CAPACITOR	2.5uF/450VAC	1	1	1	1	1	
16	DB62-02009A	CLOTH SOUND	FELT	1	-	-	-	1	
	DB72-00681A	CLOTH SOUND	FELT	-	1	1	-	-	
	DB72-50537A	CLOTH SOUND	FELT	-	-	-	1	-	
17-1	DB39-20546E	CONNECT WIRE-POWER	-	-	1	-	1	-	
	DB39-20546B	CONNECT WIRE-POWER	-	-	-	1	-	1	
17-2	DB39-00171A	CONNECT WIRE-ASSY	-	-	1	-	1	-	
	DB39-00171B	CONNECT WIRE-ASSY	-	-	-	1	-	1	
17-3	DB67-20011A	DRAIN PLUG OUT	PP	1	-	-	-	-	
17-4	DB60-30010A	NUT FLARE 1/4"	C3771BD	2	-	-	-	-	
17-5	DB60-30010C	NUT FLARE 1/2"	C3771BD	2	-	-	-	-	
17-6	DB73-20134A	RUBBER-LEG	NR	4	-	-	-	-	

### 4-3 Ass'y Control In (Indoor Unit)

■ DB93-01824A : SH18(24)\*P\*

DB93-01636A : SH18(24)\*P\*A, AQ\*18(24)P\*G\*



## ■ Parts List

No.	Code No.	Description	Specification	Q'TY		Remark
				SH24TP6 SH18ZP0	SH24TP6A SH18ZP0A AQ*24P6G* AQ*18P0G*	
1	DB93-01143A	CASE-CONTROL AC	ABS	1	1	
2	DB93-01324C	ASSY-MAIN PCB (AC)	ASSY	1	1	
3	DB93-01325F	ASSY-MAIN PCB (DC)	ASSY	1	1	
4	DB93-00096A	ASSY-TERMINAL BLOCK	ASSY	1	1	
5	DB93-01368D	ASSY-S/W & DISPLAY PCB	ASSY	1	-	
	DB93-01368C	ASSY-S/W & DISPLAY PCB	ASSY	-	1	
6	DB93-01369B	ASSY-MODULE PCB	ASSY	1	1	
7	DB70-00277A	PLATE-TERMINAL LOW	SGCC-M, T1.2	1	1	
8	DB61-00171A	HOLDER-WIRE CLAMP	ABS	1	1	
9	-	SCREW-MACHINE	PH M3 x L22	1	1	SNA
10	-	SCREW-MACHINE	TH M4 x L16	2	2	SNA
11	-	SCREW-MACHINE	TH M4 x L10	2	2	SNA
12	DB93-01386A	ASSY-C/W MOTOR CAPACITOR	ASSY	1	1	
13	DB93-01384A	ASSY-C/W AC/DC CONNECTION	ASSY	1	1	
14	DB93-01380A	ASSY-C/W MODULE PCB	ASSY	1	1	
15	DB93-01543A	C/W STEP MOTOR UP/DOWN	ASSY	1	1	
16	2301-001371	CAPACITOR	1.2uF, 450VAC	1	1	
17	DB32-00020H	ASSY-THERMISTOR	4P (103AT)	1	1	
18	-	SEAL	61x40x3, 30FOAM-PE	1	1	SNA
19	DB61-01106A	CASE CONTROL(DC)	HIPS V0	1	1	
20	-	CABLE TIE	DA-140	1	1	SNA
21	-	POWER CORD	-	-	1	
22	DB39-00780B	ASSY C/W AUTO GRILLE	ASSY	1	1	
23	DB64-00763A	HALRF MIRROR	95, T1.5	1	1	
24	DB93-01387A	ASSY PCB HVPS	DC12V/DC4.7KV	1	1	
25	DB93-01381A	ASSY C/W HVPS(12V)	ASSY	1	1	
26	DB62-01838L	SEAL-CASE CONTROL	FLOCKED, BLK, T1x45x22	1	1	
27	DB62-02015A	SEAL-CASE CONTROL IN	FOAM-PE	1	1	
28	DB62-01838Y	SEAL-CASE CONTROL	FLOCKED, BLK, T1x77x20	1	1	