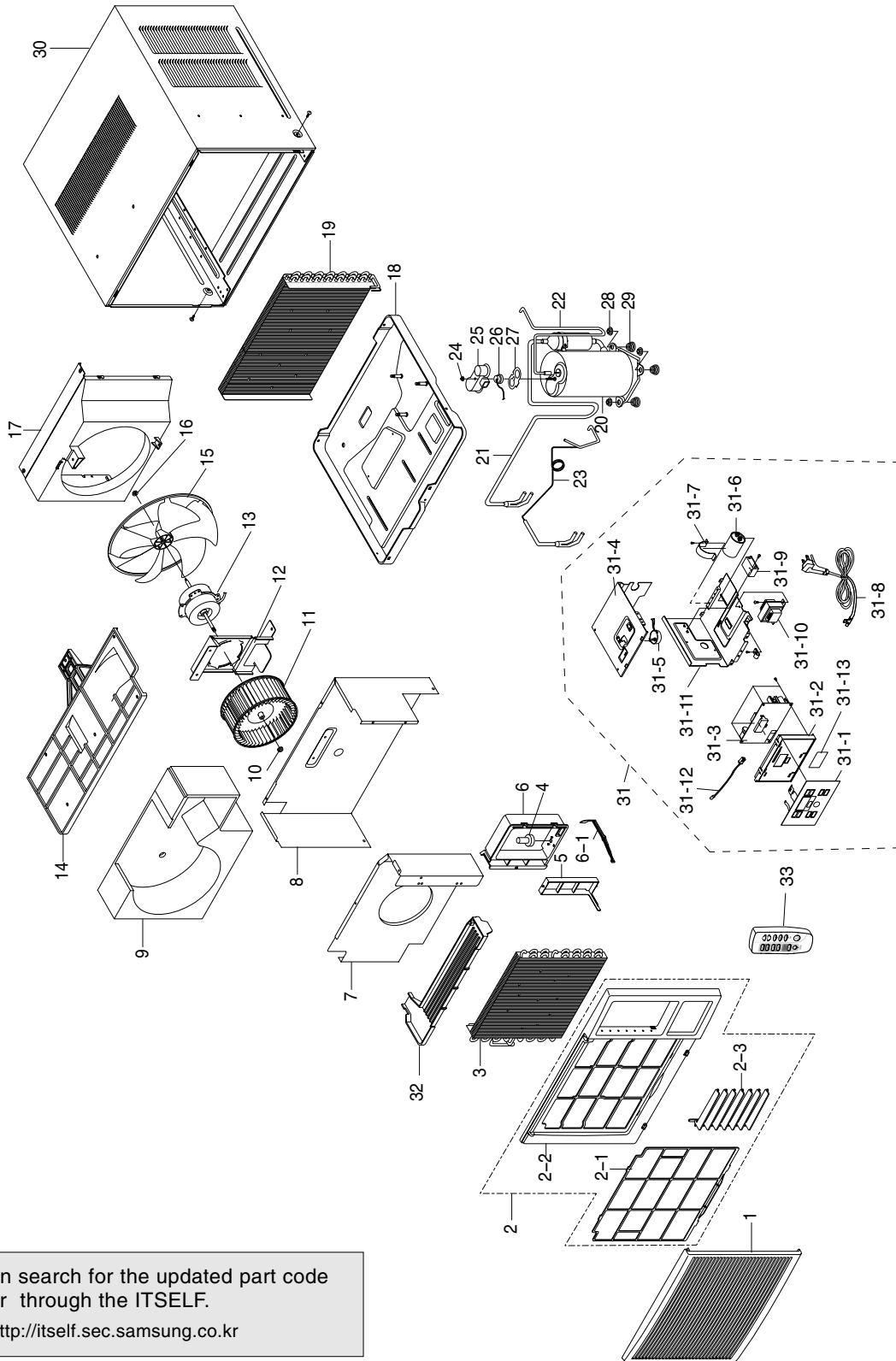


6. Exploded View and Parts List

6-1 Main unit (Type "A")



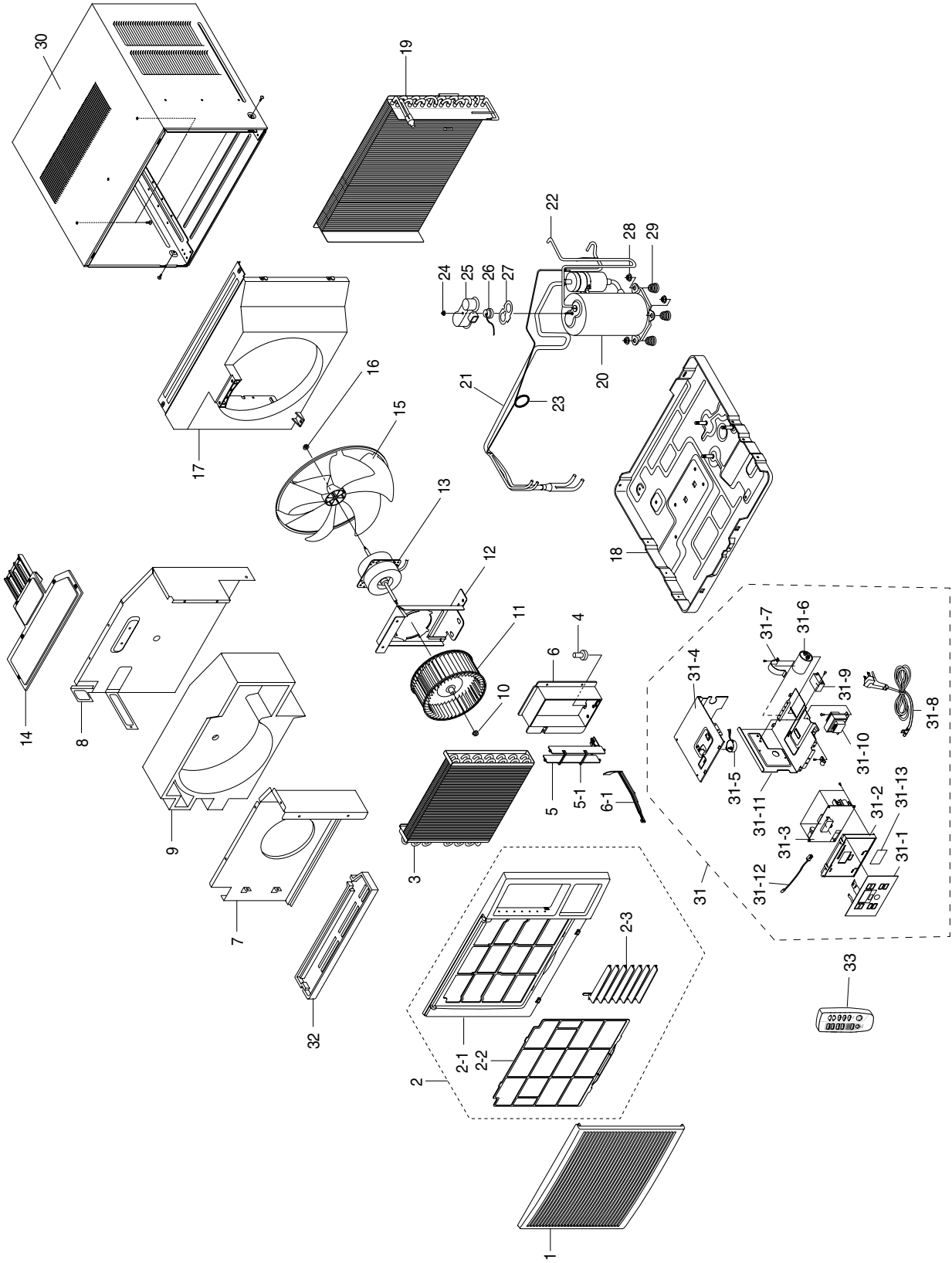
You can search for the updated part code number through the ITSELF.
URL : <http://itself.sec.samsung.co.kr>

Exploded View and Parts List

■Part List (Type "A")

No	Description	Code No.	Specification	Q'TY	
				AZ09AATEA	AZ09FATEA
1	INLET GRILLE	DB64-10158A	HIPS	1	-
		DB64-00104A	HIPS	-	1
		DB64-00014F	HIPS	-	-
2	ASS'Y PANEL FRONT	DB92-70096F	A-TYPE	1	-
		DB92-00052A	F-TYPE	-	1
2-1	FILTER	DB63-30158C	A-TYPE	1	-
		DB74-00005C	F-TYPE	-	1
2-2	PANEL-FRONT	DB64-70093A	A-TYPE	1	-
		DB64-00167A	F-TYPE	-	1
2-3	BLADE-H	DB66-30191A	A-TYPE	1	-
		DB66-00053A	F-TYPE	-	1
3	EVAPORATOR	DB96-01971A	2R×12S,FP1.2	1	1
4	ARM BLADE	DB66-70031A	PS,BLK	1	1
5	BLADE-V	DB66-30211B	PP,SC-97525R	1	1
6	FRAME-BLADE	DB90-00508B	ASS'Y	1	1
6-1	LEVER-DAMPER	DB66-00278A	HIPS	1	1
7	PLATE-EVAP CASING	DB61-00689A	ASS'Y,SGCC-M	1	1
8	PLATE-PARTITION	DB71-00068B	ASS'Y,SGCC-M	1	1
9	CASE-BLOWER	DB90-00779A	ASS'Y	1	1
10	NUT-FRANGE	DB60-30004A	M6,YEL	1	1
11	BLOWER	DB67-00099A	ABS OD Φ180	1	1
12	MOUNTER MOTOR	DB61-00690A	SGCC-M,T1.0	1	1
13	MOTOR	DB31-00140C	YGN61-6C	1	1
14	ASS'Y CASE EVAP	DB90-00539B	ASS'Y,PP	1	1
15	FAN PROPELLER	DB67-50077A	ABS,YEL	1	1
16	NUT-FRANGE	DB60-30020A	M6,LEFT	1	1
17	CASE-COND	DB61-00423A	PP,WHT	1	1
18	BASE	DB90-00544A	ASS'Y,SC94445T	1	1
19	CONDENSER	DB96-02099A	2R×12S,FP1.5	1	1
20	COMPRESSOR	44B092JX1EF	240V/50Hz	1	1
21	ASSY-4-WAY	DB96-01863A	ASSY	1	1
22	ASSY-CHECK V/V	DB96-01862A	ASSY	1	1
24	NUT-FRANGE	DB60-30001A	M5,YEL	1	1
25	COVER TERMINAL	DB63-10026A	NORYL,BLK	1	1
26	O.L.P	DB47-20057R	MRA12054-12008	1	1
27	GASKET	DB63-20003A	EPDM,T0.8	1	1
28	NUT WASHER	DB60-30028A	M8,ZPC	3	3
29	GROMET ISOLATOR	DB73-00070A	NR 35	3	3
30	ASS'Y-CABINET	DB90-00701B	ASS'Y	1	1
31	ASS'Y-CONTROL	DB93-01414A	240V/50Hz	1	1
31-1	SWITCH MEMBRANE	DB34-00026B	99.1*134.5	1	1
31-2	PANEL CONTROL	DB64-00259B	HIPS,T2.0	1	1
31-3	ASSY MAIN PCB	DB93-00407H	HEAT PUMP	1	1
31-4	CASE CONTROL UP	DB61-00419A	SGCC-M,T0.7	1	1
31-5	SWING MOTOR	DB31-00084B	M2LJ49ZV32	1	1
31-6	CAPACITER(C-OIL)	2501-001237	35μF×450VAC	1	1
31-7	CLIP CAPACITOR	DB65-10008B	SGCC-M,T0.7	1	1
31-8	POWER CORD	DB39-00348A	250V,16A	1	1
31-9	CAPACITER(C-FILM)	2301-001369	3μF×450VAC	1	1
31-10	TRANSFORMER	DB26-00006E	AC230V,50/60HZ	1	1
31-11	CASE CONTROL LOW	DB61-00417A	SGCC-M,T0.7	1	1
31-12	THERMISTOR	DB32-10051E	10K/25,-,3435K	1	1
31-13	THERMISTOR COND	DB32-10045F	4100,10K,25,-20~70	1	1
32	TRAY DRAIN	DB63-00296A	HIPS,T1.5	1	1
33	ASSY REMOCON	DB93-00284L	W-RAC,ARH-700	1	1

6-2 Main unit (Type "B")

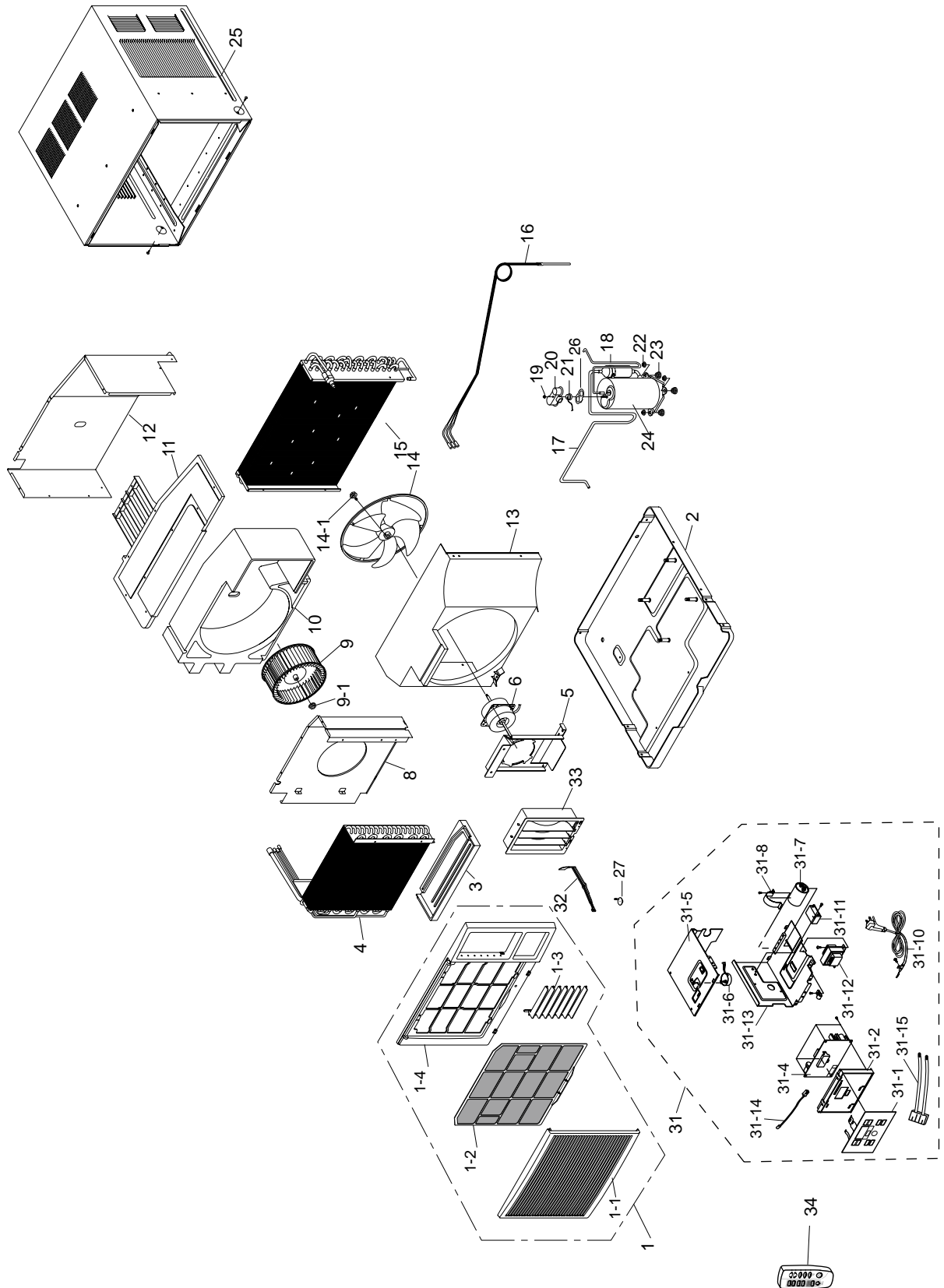


Exploded View and Parts List

■Part List (Type "B")

No	Description	Code No.	Specification	Q'TY	
				AZ12AADEA	AZ12FADEA
1	INLET GRILLE	DB64-10145A	HIPS	1	-
		DB64-00101A	HIPS	-	1
		DB64-00012G	HIPS	-	-
2	ASS'Y PANEL FRONT	DB92-10319G	A-TYPE	1	-
		DB92-00072A	F-TYPE	-	1
2-1	FILTER	DB63-30142C	A-TYPE	1	-
		DB63-00073B	F-TYPE	-	1
2-2	PANEL-FRONT	DB64-70080A	A-TYPE	1	-
		DB64-00168A	F-TYPE	-	1
2-3	BLADE-H	DB66-30169A	A-TYPE	1	-
		DB66-00049A	F-TYPE	-	1
3	EVAPORATOR	DB96-01004B	2R×14S,FP1.2	1	1
4	ARM BLADE	DB66-70022D	PS,BLK	1	1
5	BLADE-V	DB66-30170A	PP,SC-97525R	1	1
6	FRAME-BLADE	DB90-00510B	ASS'Y	1	1
6-1	LEVER-DAMPER	DB66-70024A	HIPS	1	1
7	PLATE-EVAP CASING	DB71-00074A	SGCC-M,T0.7	1	1
8	PLATE-PARTITION	DB71-00075B	SGCC-M,T0.7	1	1
9	CASE-BLOWER	DB61-00649A	30FO-PS	1	1
10	NUT-FRANGE	DB60-30004A	M6,YEL	1	1
11	BLOWER	DB67-50073A	ABS OD Φ180	1	1
12	MOUNTER MOTOR	DB61-00650A	SGCC-M,T1.0	1	1
13	MOTOR	DB31-00122C	YGN60-6C	1	1
14	ASS'Y CASE EVAP	DB90-00511A	ASS'Y,PP	1	1
15	FAN PROPELLER	DB67-00139A	ABS+G/F,NTR	1	1
16	NUT-FRANGE	DB60-30020A	M6,LEFT	1	1
17	CASE-COND	DB61-00647A	PP,T2	1	1
18	BASE	DB90-00514B	48 FRAME	1	1
19	CONDENSER	DB96-01003B	2R×14S,FP1.5	1	1
20	COMPRESSOR	48D129JU1EL	240V/50Hz	1	1
21	ASSY-4-WAY	DB99-00116A	ASSY	1	1
22	ASSY-CHECK V/V	DB96-02100A	ASSY	1	1
24	NUT-FRANGE	DB60-30001A	M5,YEL	1	1
25	COVER TERMINAL	DB63-10026A	NORYL,BLK	1	1
26	O.L.P	DB47-20057U	MRA12074-12007	1	1
27	GASKET	DB63-20003A	EPDM,T0.8	1	1
28	NUT WASHER	DB60-30028A	M8,ZPC	1	1
29	GROMET ISOLATOR	DB73-00067A	NR 35	3	3
30	ASSY-CABINET	DB90-00364A	ASS'Y,SC-94445T	1	1
31	ASSY-CONTROL	DB93-01412B	240V/50Hz	1	1
31-1	SWITCH MEMBRANE	DB34-00026B	99.1*134.5	1	1
31-2	PANEL CONTROL	DB64-00259B	HIPS,T2.0	1	1
31-3	ASSY MAIN PCB	DB93-00407H	HEAT PUMP	1	1
31-4	CASE CONTROL UP	DB61-00421A	SGCC-M,T0.7	1	1
31-5	SWING MOTOR	DB31-00084B	M2LJ49ZV32	1	1
31-6	CAPACITER(C-OIL)	2501-001236	30μF×450VAC	1	1
31-7	CLIP CAPACITOR	DB65-10008B	SGCC-M,T0.7	1	1
31-8	POWER CORD	DB39-00348A	250V,16A	1	1
31-9	CAPACITER(C-FILM)	2301-001378	3.5μF×450VAC	1	1
31-10	TRANSFORMER	DB26-00006E	AC230V,50/60HZ	1	1
31-11	CASE CONTROL LOW	DB61-00417A	SGCC-M,T0.7	1	1
31-12	THERMISTOR	DB32-10051E	10K/25,-,3435K	1	1
31-13	THERMISTOR COND	DB32-10045G	4100,10K,25,-20~70	1	1
32	TRAY DRAIN	DB63-00276A	30FOAM-PS	1	1
33	ASSY REMOCON	DB93-00284L	W-RAC,ARH-700	1	1

6-2 Main unit (Type "C")



Exploded View and Parts List

■Part List (Type "C")

No	Description	Code No.	Specification	Q'TY	
				AZ18AAMEB	AZ18FAMEB
1	ASSY PANEL-FRONT	DB92-00067A	F-TYPE,ASSY	-	1
		DB92-70101D	A-TYPE,ASSY	1	-
1-1	GRILLE-AIR INLET	DB64-00178A	F-TYPE,HIPS	-	1
		DB64-10163A	A-TYPE,HIPS	1	-
1-2	GUARD AIR-FILTER	DB63-00100C	F-TYPE,ZENO BLUE	-	1
		DB63-30167B	A-TYPE,ABS(SF)	1	-
1-3	BLADE-H	DB66-00120A	F-TYPE,C-PP	-	1
		DB66-30205A	A-TYPE,C-PP	1	-
1-4	PANEL-FRONT	DB64-00177A	F-TYPE,HIPS	-	1
		DB64-70102A	A-TYPE,HIPS	1	-
2	ASSY BASE	DB90-00304E	M-P/J,48B DRAIN	1	1
3	TRAY-DRAIN	DB63-40019A	30FOAM-PS	1	1
4	ASSY EVAP	DB96-01038B	3R×15S	1	1
5	MOUNT MOTOR	DB61-00440A	SGCC-M,T1.2	1	1
6	MOTOR FAN	DB31-00075H	YSK150-4L	1	1
8	PLATE-EVAP CASING	DB96-00026A	ASSY	1	1
9	BLOWER	DB67-00096A	ABS+G/F20%,M-P/J	1	1
9-1	NUT-WASHER	DB60-30002A	M6	1	1
10	CASE EVAP	DB61-10182A	30FOAM-PS	1	1
11	COVER-EVAP	DB90-40174A	ASSY,PP,T2.5	1	1
12	PLATE-PARTITION	DB70-10679A	SGCC-M,T0.8	1	1
13	CASE COND	DB61-00448A	PP(TALC),T2.5	1	1
14	FAN-PROPELLER	DB67-00047A	ABS,M-P/J	1	1
14-1	NUT-WASHER	DB60-30004A	M6,SM20C	1	1
15	ASSY COND	DB96-01166A	2R×16S	1	1
16	TUBE CAPILLARY	DB62-00594A	14K	1	1
17	ASSY-4-WAY	DB62-00593C	ASSY	1	1
18	CHECK V/V	DB62-00595B	ASSY	1	1
19	NUT-FLANGE	DB60-30001A	M5,-,SM20C	1	1
20	COVER-TERMINAL	DB63-10026A	NORYL	1	1
21	O.L.P	DB35-00011E	MRA12147-12007	1	1
22	NUT-WASHER	DB60-30028A	HEX,2C,M8,ZPC	3	3
23	GROMMET ISOLATOR	DB73-10004B	EPDM	3	3
24	COMPRESSOR	48B180JV2EH	240V/50Hz	1	1
25	CABINET	DB90-00311B	ASSY,SECC-P,SC-94445T	1	1
26	GASKET	DB63-20003A	EPDM RUBBER	1	1
27	ARM BLADE	DB66-00186A	POM	1	1
31	ASSY CONTROL E	DB93-01665B	ASSY	1	1
31-1	SWITCH MEMBRANE	DB34-00026K	99.1×140.2	1	1
31-2	PANEL CONTROL	DB64-00261A	HIPS,T2.5	1	1
31-4	ASSY MAIN PCB	DB93-00407H	HEAT PUMP	1	1
31-5	CASE CONTROL UP	DB61-00419A	SGCC-M,T0.8	1	1
31-6	SWING MOTOR	DB95-20065F	M2LJ49ZU39	1	1
31-7	CAPACITER(C-OIL)	2501-001238	40μF×450VAC	1	1
31-8	CLIP CAPACITOR	DB65-10008B	SGCC-M,T0.8	1	1
31-10	POWER CORD	DB39-00348A	250V,16A	1	1
31-11	CAPACITER(C-FILM)	2301-001367	6μF×450VAC	1	1
31-12	TRANSFORMER	DB26-00006E	AC230V,50/60HZ	1	1
31-13	CASE CONTROL LOW	DB61-00417A	SGCC-M,T0.8	1	1
31-14	THERMISTOR	DB32-10051E	10K/25,-,3435K	1	1
31-15	THERMISTOR COND	DB32-10045H	4100,10K,25,-20~70	1	1
32	LEVER-DAMPER	DB66-70024A	HIPS,T2.5	1	1
33	FRAME-BLADE	DB90-50161E	HIPS,T2.5	1	1
34	REMOCON	DB93-00284L	W-RAC,ARH-700	1	1

MEMO