

**SPLIT TYPE ROOM
AIR CONDITIONER
WALL MOUNTED type
INVERTER**

**SERVICE
MANUAL**

Models	Indoor unit	Outdoor unit
	ASY13PSBCW	AOY13PNBC

C O N T E N T S

SPECIFICATIONS	1
DIMENSIONS	3
REFRIGERANT SYSTEM DIAGRAM	4
CIRCUIT DIAGRAM	5
INDOOR PRINTED CIRCUIT BOARD CIRCUIT DIAGRAM	6
OUTDOOR PRINTED CIRCUIT BOARD CIRCUIT DIAGRAM ...	7
INDOOR P.C. BOARD LAYOUTS	8
OUTDOOR P.C. BOARD LAYOUTS	10
DISASSEMBLY ILLUSTRATION	14
PARTS LIST	16

S P E C I F I C A T I O N S

TYPE	COOL & HEAT INVERTER	
INDOOR UNIT	ASY13PSBCW	
OUTDOOR UNIT	AOY13PNBC	
COOLING CAPACITY	(kW)	3.70
HEATING CAPACITY	(kW)	5.10

ELECTRICAL DATA

POWER SOURCE	(V)	220 - 230	
FREQUENCY	(Hz)	50	
RUNNING CURRENT	(A)	COOLING	6.8 - 6.5 <Max. 8.0>
		HEATING	8.6 - 8.2 <Max. 10>
INPUT WATTS	(kW)	COOLING	1.48
		HEATING	1.88
EER	(kW/kW)	COOLING	2.50
		HEATING	2.71
MOISTURE REMOVAL	(ℓ/hr)	1.80	
AIR CIRCULATION-Hi	(m³/hr)	COOLING	550
		HEATING	590

COMPRESSOR

TYPE	Rotary type, Inverter, 2 pole, Three phase, Induction motor		
CODE	2PV132N7BB02		
REFRIGERANT	R-22	(g)	980

FAN MOTOR

POWER SOURCE	(V)	DC 40	
INDOOR UNIT	HI-SPEED (r.p.m.)	COOLING	1,350
		HEATING	1,420
	MED-SPEED (r.p.m.)	COOLING	1,210
		HEATING	1,260
	LO-SPEED (r.p.m.)	COOLING	1,100
		HEATING	1,150
OUTDOOR UNIT	(r.p.m.)	740 - 770	

DIMENSIONS

INDOOR UNIT	H x W x D	(mm)	280 x 815 x 199
OUTDOOR UNIT			535 x 695 x 250

WEIGHT

INDOOR UNIT	GROSS/NET	(kg)	12 / 10
OUTDOOR UNIT			38 / 35

NOISE LEVEL

		COOLING	HEATING
INDOOR UNIT	HI-SPEED (dB)	42	42
	MED-SPEED (dB)	39	38
	LO-SPEED (dB)	36	35
	QUIET (dB)	34	29
OUTDOOR UNIT (dB)		48 - 49	49 - 50

ADDITIONAL REFRIGERANT CHARGE

Refrigerant suitable for a piping length of 5 m is charged in the outdoor unit at the factory.

When the piping is longer than 5 m, additional charging is necessary.

For the additional amount, see the table below.

Table

PIPE LENGTH	5 m	7 m	10 m
ADDITIONAL REFRIGERANT	None	32 g	80 g

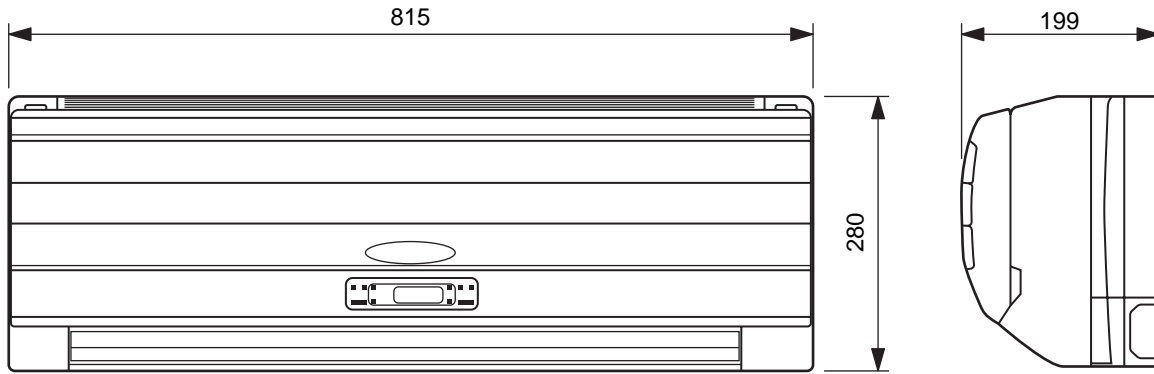
Between 5 m and 10 m, when using a connection pipe other than that in the table, charge additional refrigerant with 16 g /1 m as the criteria.

(The maximum length of the piping is 10 m. If the units are further apart than this,)
 correct operation can not be guaranteed.)

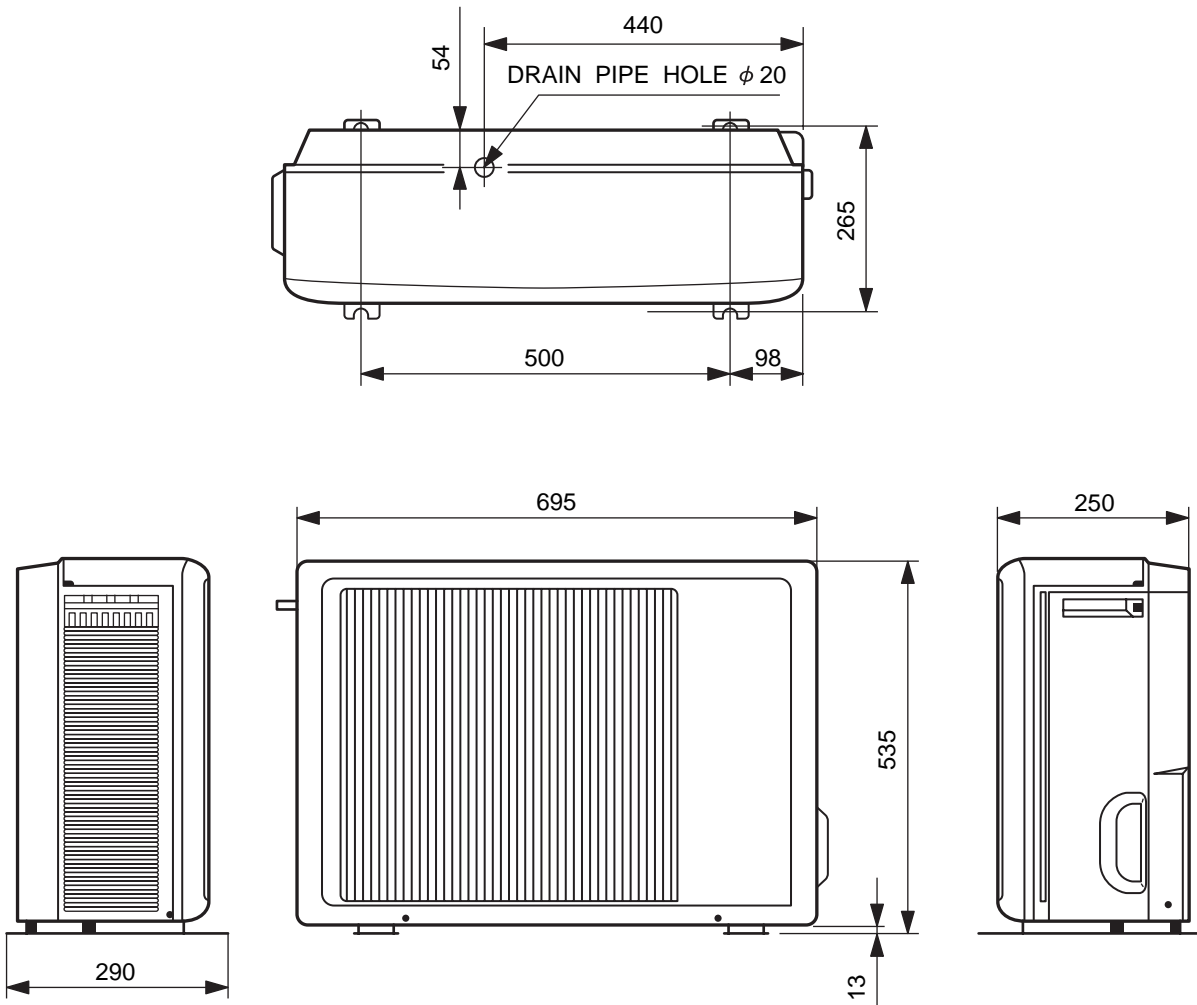
DIMENSIONS

INDOOR UNIT

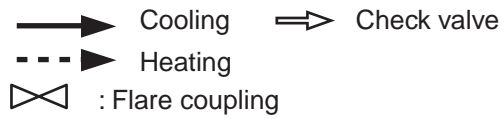
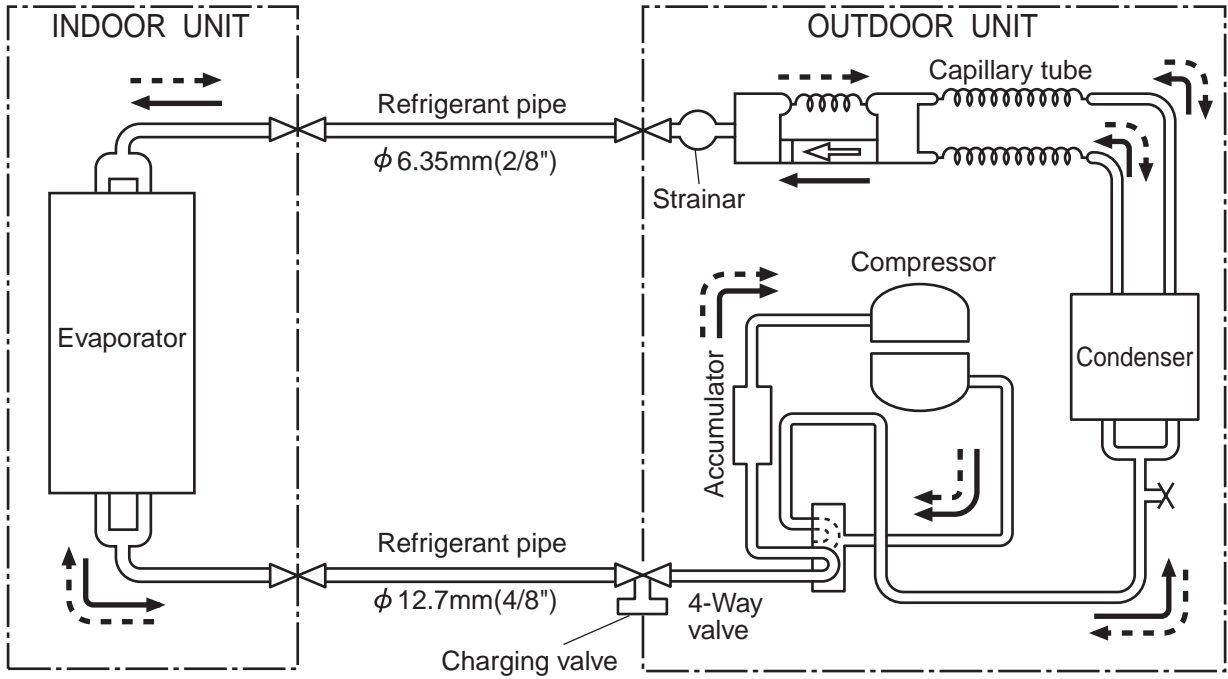
Unit : mm



OUTDOOR UNIT

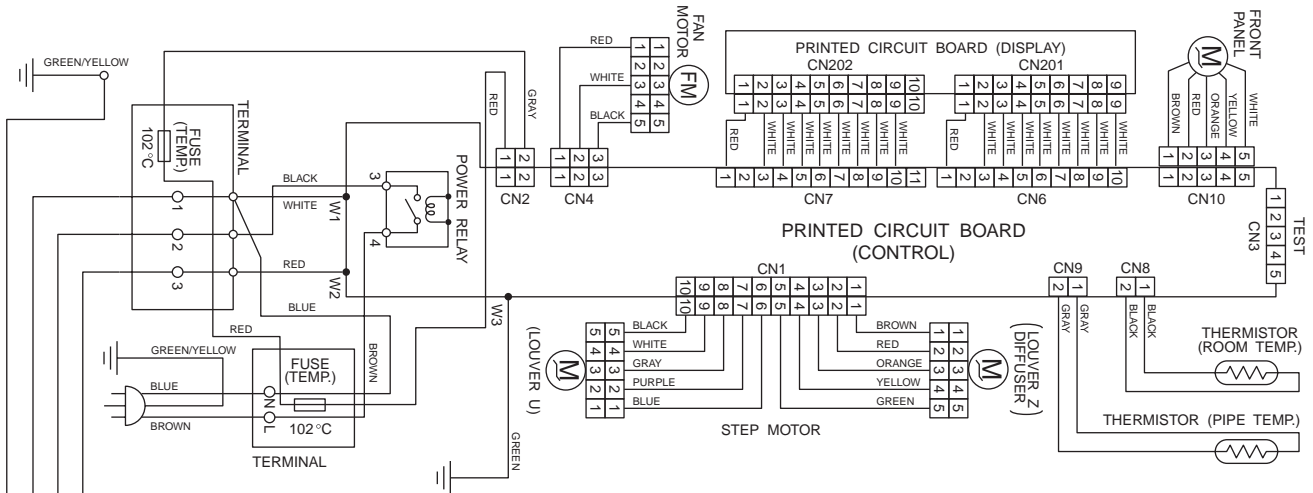


REFRIGERANT SYSTEM DIAGRAM

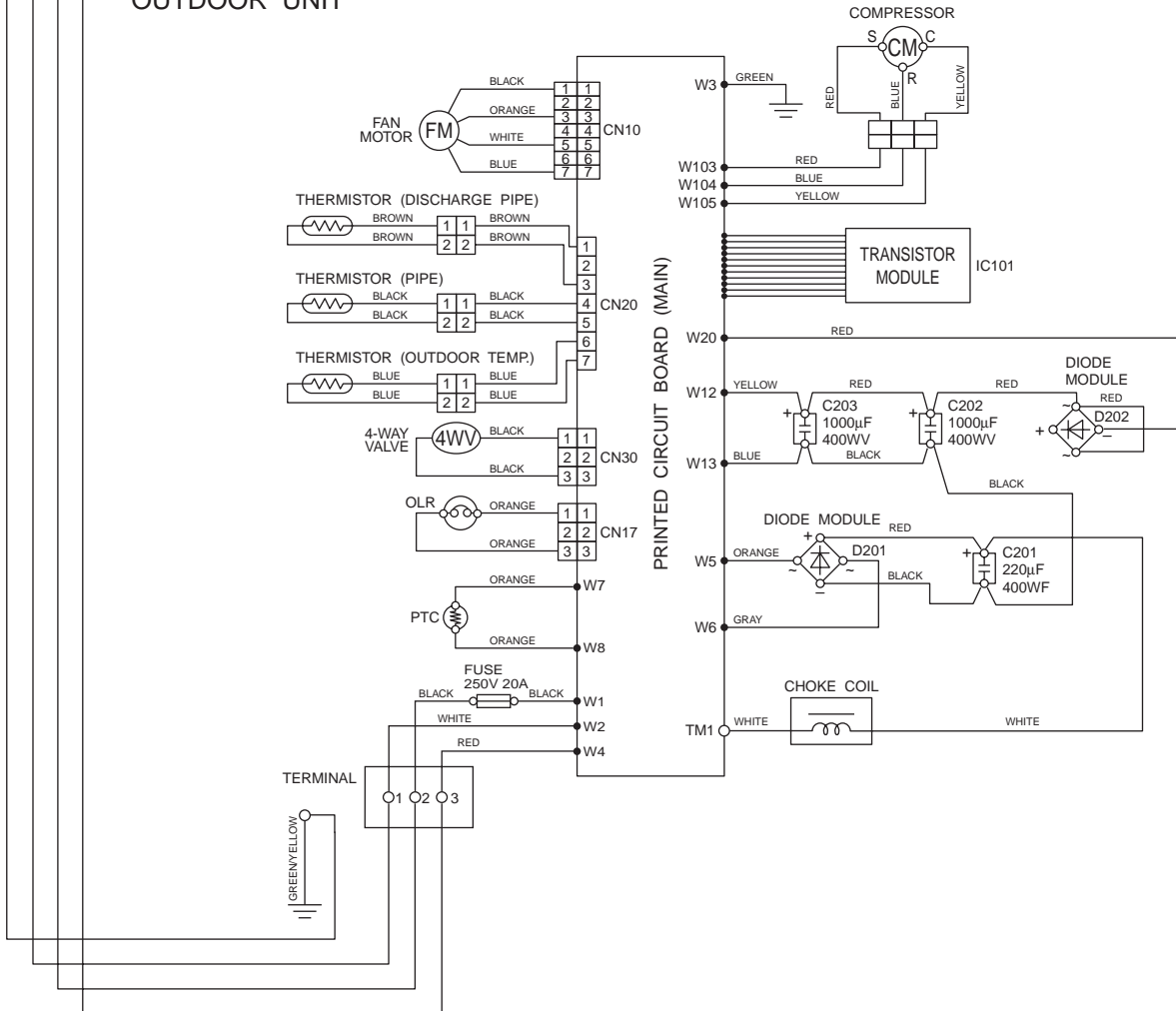


CIRCUIT DIAGRAM

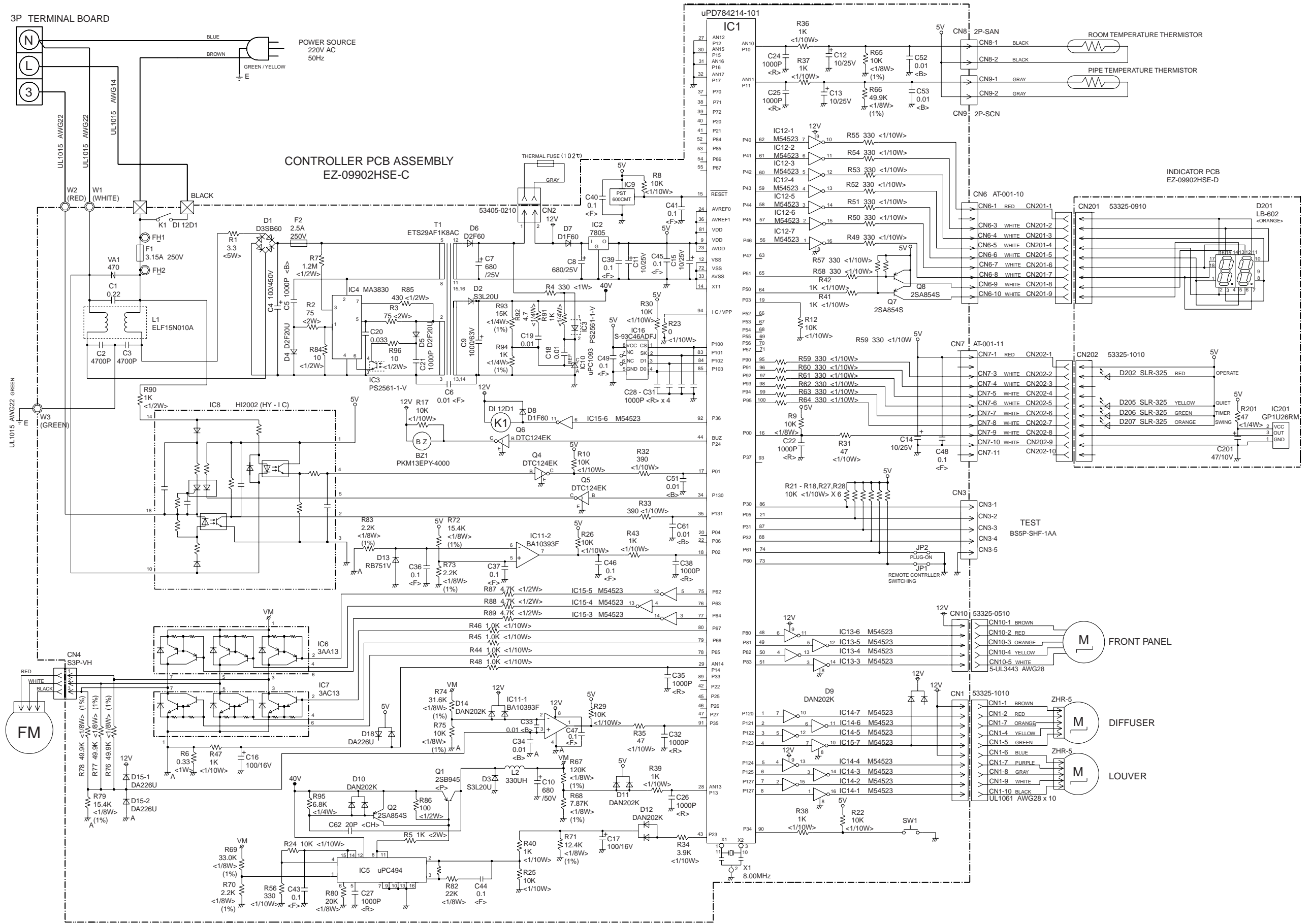
INDOOR UNIT



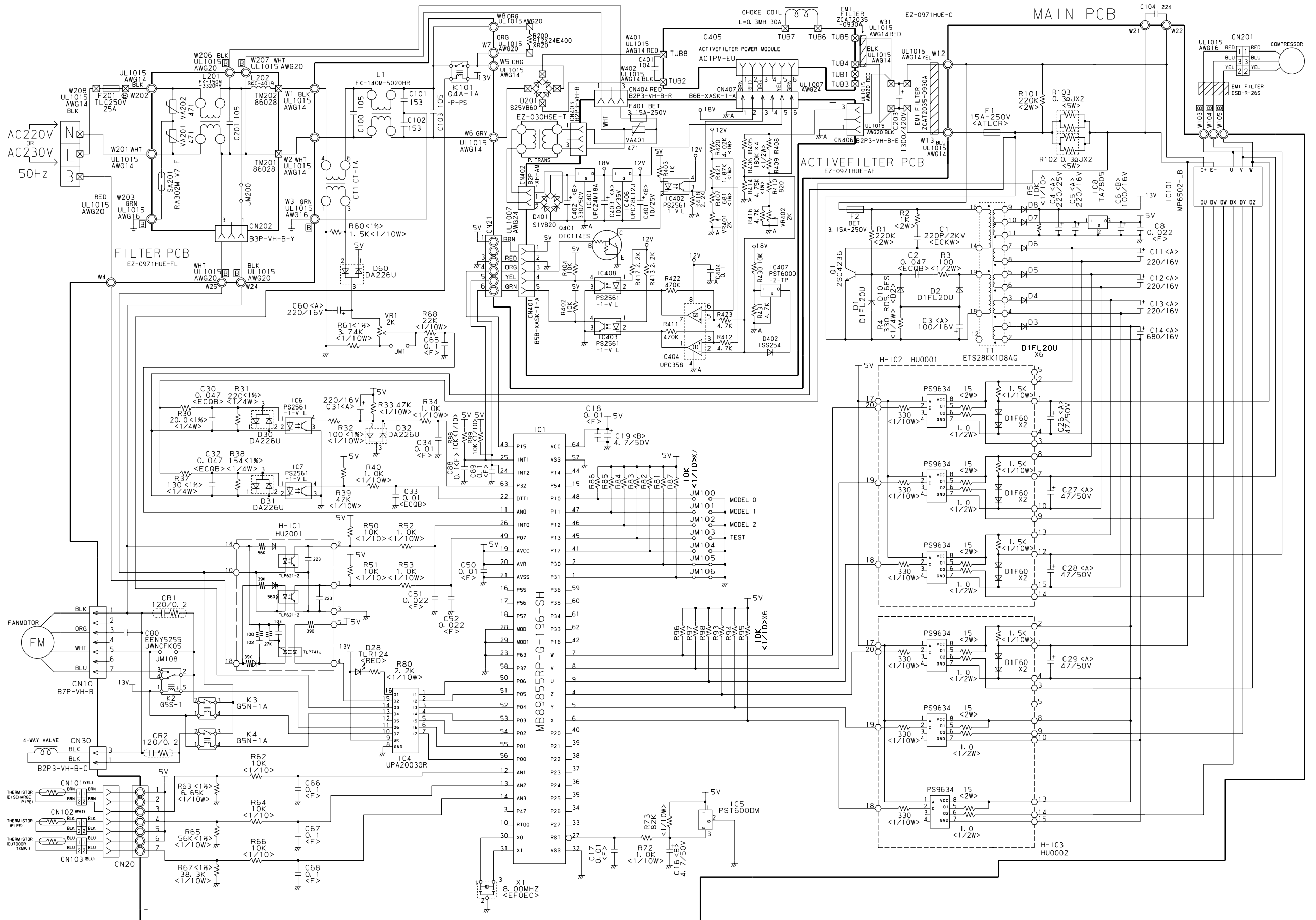
OUTDOOR UNIT



INDOOR PRINTED CIRCUIT BOARD CIRCUIT DIAGRAM

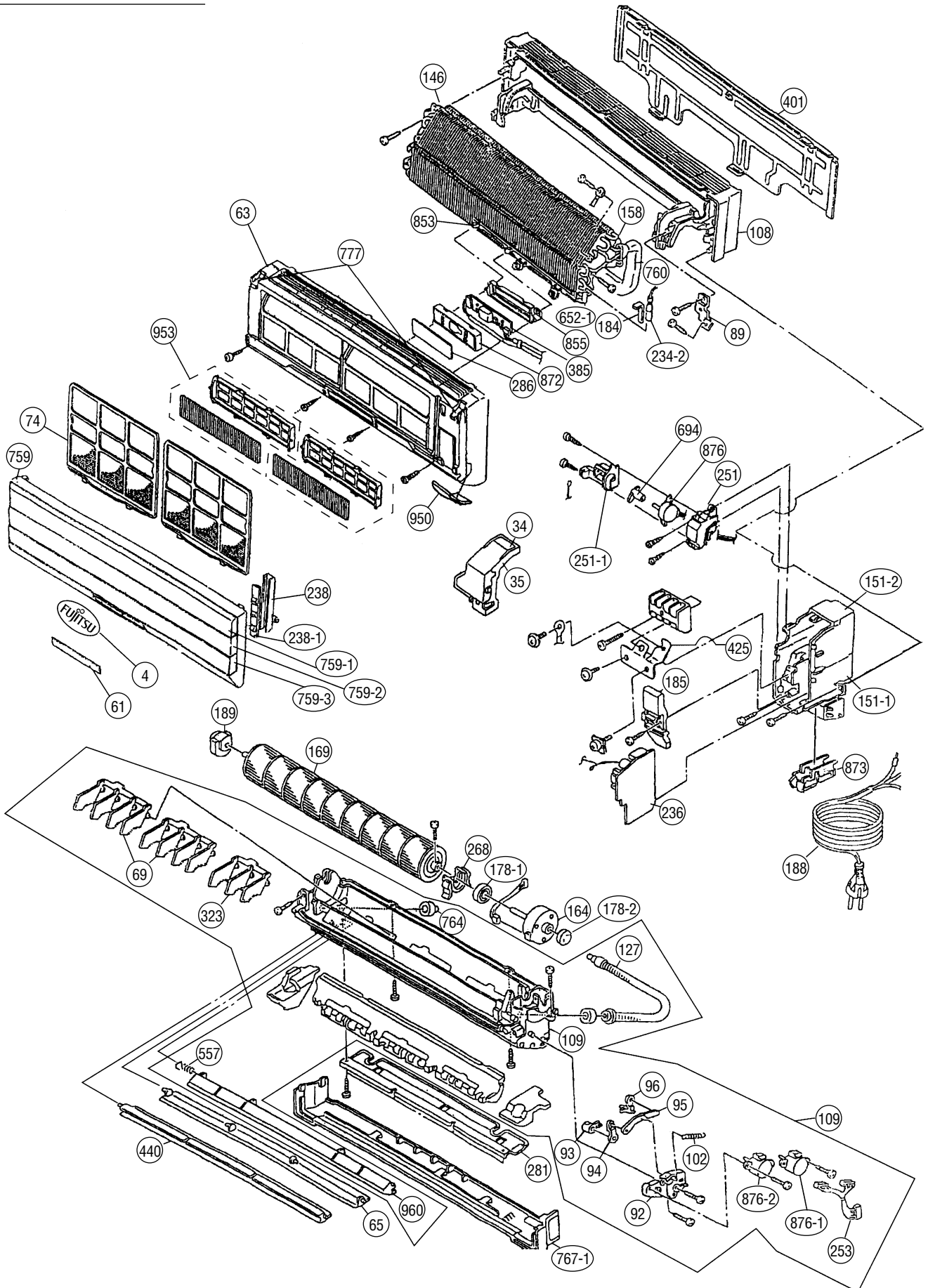


OUTDOOR PRINTED CIRCUIT BOARD CIRCUIT DIAGRAM

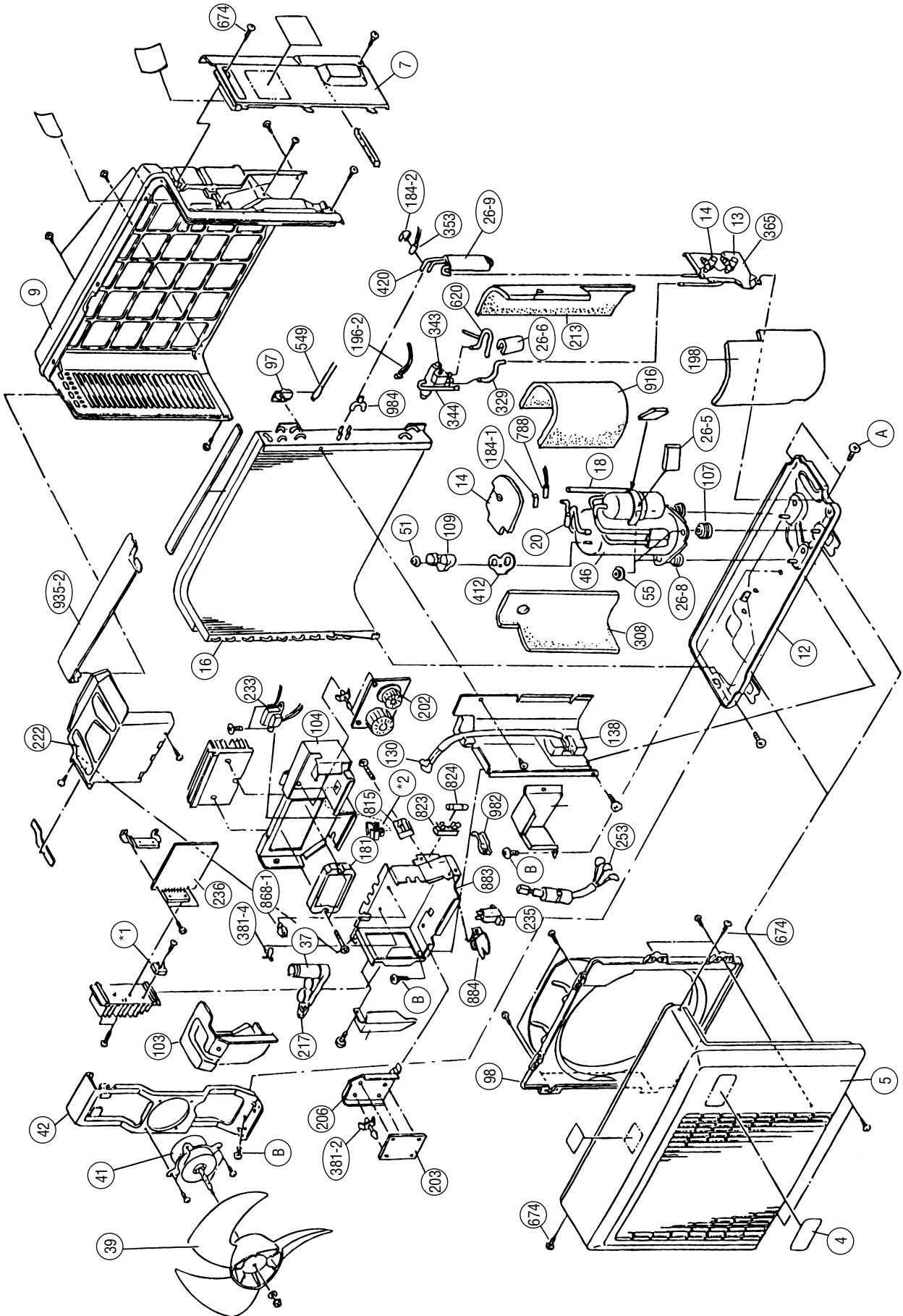


DISASSEMBLY ILLUSTRATION

Model : ASY13PSBCW



Model : AOY13PNBC



PARTS LIST

When you order parts, please make a photocopy of this page and fill the number of the parts in the "Order" column.

INDOOR UNIT

Ref. No.	Description	Part No.	Ord. Q'ty	Ref. No.	Description	Part No.	Ord. Q'ty
		ASY13PSBCW				ASY13PSBCW	
4	Emblem	9310345023		251-1	Step Motor Cover-B	9308033000	
61	Decoration Plate	9310459027		253	Wire w/Connector	9306765019	
63	Front Panel Assy	9307838040		268	Motor Cover-B	9306582012	
65	Flow Control Panel-Z	9306571030		281	Clamp Metal (Pipe)	9306607012	
69	Louver-A	9306583019		286	Display Plate	9307989018	
89	Casing Fixture	9307018008		323	Louver-B	9306584016	
92	Link Plate	9306577018		385	Indicator PCB Assy	9702802035	
93	Link-A	9306573010		401	Wall Hook Bracket	9306588014	
94	Link-B	9306574017		425	Earth Terminal Assy	9308108012	
95	Link-C	9306575014		440	Flow Control Panel-U	9306570033	
96	Link-D	9306576011		557	Diffuser Spring	9306611019	
102	Link Spring	9306610012		652-1	Thermistor Holder Pipe	313714262805	
108	Base	9306566036		694	Cam	9308025005	
109	Casing Assy, Complete	9309149014		759	Intake Grille	9309161023	
127	Drain Hose Assy	9305550029		759-1	Open Panel-A	9310455012	
146	Evaporator Assy	9308200013		759-2	Open Panel-B	9310456019	
151-1	Control Box	9308959010		759-3	Open Panel-C	9310457016	
151-2	Control Box - Metal	9308031013		764	Drain Cap Assy	9304150008	
158	Connecting Pipe Assy	9309433014		767-1	Bottom Cover-A	9307865022	
164	Fan Motor Assy-IN	9306829025		777	Intake Grille Clamp	9308038029	
169	Cross-Flow Fan Assy	9307836015		853	Display Bracket	9308958013	
178-1	Motor Cushion-A	9306751012		855	Display Cover	9307988011	
178-2	Motor Cushion-B	9306580018		872	Display Case	9307987014	
184	Thermistor Spring	313104262701		873	Lamp Cover	9309158016	
185	Wire Clamp	9306592011		876	Step Motor	9702948016	
188	Power Cord Assy	9702604028		876-1	Step Motor-A	9305892006	
189	Shaft Holder-C Assy	9306579012		876-2	Step Motor	9305780006	
234-2	Thermistor Assy 150-503-96056	9702039011		950	Panel Cover	9308965035	
236	Controller PCB Assy	9704142016		953	Air Cleaning Filter Set (Optional) UTR-FA03	9309923003	
238	Slider Cover	9308024015		960	Diffuser	9307692024	
238-1	Slider	9308843012					
251	Step Motor Cover-A	9308032003					

OUTDOOR UNIT

Ref. No.	Description	Part No.	Ord. Q'ty	Ref. No.	Description	Part No.	Ord. Q'ty
		AOY13PNBC				AOY13PNBC	
4	Emblem-Rear	9307602016		206	PCB Fixture	9307587016	
5	Cabinet Front Panel	9305525010		213	Noise Insulation-B	9307674006	
7	Connector Cover	9306119010		217	Capacitor Holder	9306036027	
9	Cabinet Rear Panel	9305526017		222	Shield Plate	9305788002	
12	Base Assy, Painted	9306118082		223	Noise Insulation-D	9307719004	
13	3-Way Valve	9306802011		233	Power Transformer EZ-030HSE-T	9701803026	
14	2-Way Valve	9306800017		235	Thermistor PTC912X24E400XR20	0000726016	
16	Condenser Assy	9307083006		236	Inverter PCB Assy	9702487010	
18	Suction Pipe	9302760001		253	Wire Assy (Connector)	9702608019	
20	Discharge Pipe Assy	9307259005		308	Noise Insulation-C	9307675003	
26-5	BR Sheet	9305039012		329	Coupling Pipe	9307263002	
26-6	BR Sheet	9305039029		343	Solenoid Coil	9359616085	
26-8	BR Sheet	9305498093		344	4-Way Valve	313947302811	
26-9	BR Sheet	9305039067		353	Thermistor Assy	9701409020	
37	Cap. Elec. 420V 1300µF	9702609016		365	Bracket (Valve)	9306748012	
39	Propeller Fan	9305538003		381-2	Locking Spacer KGLS-8S	0600035020	
41	Fan Motor Assy-Out	9300834285		381-4	Locking Spacer KGPS-6S	0600118075	
42	Bracket (Motor)	9305536023		412	Thermal Gasket	9351051013	
46	Compressor Assy	9307311017		420	Capillary Assy	9307125003	
51	Special Nut M5	9300301015		549	Thermistor Assy-Outer	9702606015	
55	Special Nut M8	313252257701		620	Inlet Pipe Assy	9307262005	
97	Thermistor Holder	9307274015		674	Screw, Coated	9305848010	
98	Fan Ring	9305581016		688	Screw (w/Square Washer)	313681304205	
103	Active Filter Cover	9307825019		788	Thermistor-Discharge	9701945023	
104	Active Filter Case	9307577017		815	Terminal HP-T3031-5-L	9306489038	
107	Rubber Seat-A	9351049010		823	Fuse Holder FH-153A	0500487011	
109	Terminal Cover	9303553008		824	Fuse TLC25A-250V	0600086039	
129	Coil Cover	9307581014		868-1	PCB Holder 1680-0-0-518-01	0600172107	
130	Choke Coil	9702607012		883	Inverter Case	9307568015	
138	Separate Wall Assy	9307573019		884	Bracket (Thermistor)	9307582011	
181	IPM (Active Filter) ACTPM-EU	9702612016		916	Noise Insulation-G	9307676000	
184-1	Thermo. Spring-A	313728262708		935-2	Reinforcement-B	9307685002	
184-2	Therm. Spring	9300089012		982	Cord Clamp	9307271014	
196-2	Clamp SKB-3MC	9305335008		984	U-Pipe (Y)	9305523009	
198	Noise Insulation-A	9307673009		A	Screw (w/Washer)	9357297002	
202	Filter PCB Assembly	9702493011		B	Screw (w/Spring Washer)	0700179013	
203	Active Filter PCB Assy	9702490010		*1.	IC S25VB60	0100122022	
204	Heat Sink Cover	9305534005		*2.	PCB Holder 1680-0-0-518-01	0600172206	

Note : Always use specified screws, since Ref No. 688, A and B are screws for the earth.

Ref No. 688 : Machine screw (with square washer & spring washer) M4 x P0.7 x L10, plating thickness 5µ or more

A : Tapping screw (with inner clip washer) M4 x L10, plating thickness 5µ or more

B : Machine screw (with spring washer) M4 x P0.7 x L10, plating thickness 5µ or more

**[INDOOR UNIT]
CONTROLLER PCB ASSEMBLY (Ref. No. 236)**

When you order parts, please make a photocopy of this page and fill the number of the parts in the "Order" column.

Ref. No.	Description	Part No.	Ord. Qty	Ref. No.	Description	Part No.	Ord. Qty
IC1	IC μ PD784214AGC-101-8EU	9700965015		R87~89	Res. 1/2W 4.7k Ω ±5%	0200731902	
IC2	IC NJM7805FA	0100462081		R90	Res. 1/2W 1k Ω ±5%	0200731742	
IC3	Photocoupler PS2561-1-VL	0000050456		R91	Res. 1/4W 1k Ω ±5%	0200708744	
IC4	IC MA3830	0101774169		R92	Res. 1/4W 4.7k Ω ±5%	0200708904	
IC5	IC μ PC494C	0101582030		R93	Res. 1/4W 15k Ω ±1%	0200022185	
IC6	IC 3AA13	0101650104		R94	Res. 1/4W 1k Ω ±1%	0200010014	
IC7	IC 3AC13	0101650111		R95	Res. 1/4W 6.8k Ω ±5%	0200708942	
IC8	IC HI2002	9701384020		JC2	Res. 0 Ω	0201010013	
IC9	IC PST600CMTR	0101461120		C1	Cap. Plastic 0.22 μ F	0300304099	
IC10	IC μ PC1093J-T	0101547039		C2,3	Cap. Ceramic 4700pF	0300209110	
IC11	IC BA10393FT2	0101269023		C4	Cap. Elec. 450V 100 μ F	0300256039	
IC12-15	Xstr Array M54523FP	0100013023		C5	Cap. Ceramic 2kV 1000pF	0301236351	
IC16	IC S-93C46ADFJ-TB	0101919027		C6	Cap. Ceramic 0.01 μ F	0300209127	
Q1	Xstr 2SB945P	0000772723		C7,8	Cap. Elec. 25V 680 μ F	0301196488	
Q2,7,8	Xstr 2SA854S	0000780094		C9	Cap. Elec. 63V 1000 μ F	0300255254	
Q4-6	Xstr DTC124EKA	0000936033		C10	Cap. Elec. 50V 680 μ F	0301196815	
D1	Diode D3SB60	0000689045		C11~15	Cap. Elec. 25V 10 μ F	0300099339	
D2,3	Diode S3L20U	0000876506		C16,17	Cap. Elec. 16V 100 μ F	0300099377	
D4-6	Diode D2FL20U	0000906500		C18,19	Cap. Plastic 50V 0.01 μ F	0300576113	
D7,8	Diode D1F60	0000208024		C20	Cap. Plastic 50V 0.033 μ F	0300576199	
D9-12,14	Diode DAN202K	0000684019		C21	Cap. Plastic 50V 1000pF	0300576090	
D13	Diode RB751V-40	0000617123		C22,24-32,35,38	Cap. Ceramic 50V 1000pF±10%	0300277096	
D15,18	Diode DA226U	0000625036		C33,34,51-53,61	Cap. Ceramic 50V 0.01 μ F±10%	0301102809	
R1	Res. Cement 5W 3.3 Ω ±10%	0200153148		C36,37,39-41,43-49	Cap. Ceramic 25V 0.1 μ F	0301102885	
R2,3	Res. Metal Oxide 2W 75 Ω ±5%	0201107713		C62	Cap. Ceramic 50V 20pF	0300309940	
R4	Res. Metal Oxide 1W 330 Ω ±5%	0201106396		T1	Switching Transformer ETS29AF1K8AC	9702351014	
R5	Res. Metal Oxide 2W 1k Ω ±5%	0201107454		HT1	Heat Sink DPS35-30-1	9701939022	
R6	Res. Metal Oxide 1W 0.33 Ω ±5%	0201106037		BZ1	Buzzer PKM13EPY-4000-TF01	9701298013	
R7	Res. Carbon 1/2W 1.2M Ω ±5%	0200011141		X1	Ceramic Resonator CSTS0800MG06-T2	0400219019	
R8-10,12,17-22,24-30	Res. 10k Ω ±5%	0201011010		F1	Fuse BET 3.15A-250V	0600222512	
R23	Res. 0 Ω	0201010013		F2	Fuse TSCR 2.5A-250V	0600078089	
R31,35	Res. 47 Ω ±5%	0201010426		FH1,2	Fuse Holder PFC5000-0502	0500158072	
R32,33	Res. 390 Ω ±5%	0201010648		K1	Relay DI12D1	9701067015	
R34	Res. 3.9k Ω ±5%	0201010884		SW1	Switch, Push KSM0632B	9703476013	
R36-48	Res. 1k Ω ±5%	0201010747		L1	EMI Filter ELF15N010A	0400165088	
R49-64	Res. 330 Ω ±5%	0201010624		L2	Choke Coil SBC6-331-871	0400112662	
R65,75	Res. 1/10W 10k Ω ±1%	0200279497		VA1	Varistor TNR10V471K	0000361224	
R66,76~78	Res. 1/10W 49.9k Ω ±1%	0200279824		CN1	Plug, PCB 53325-1010	0501052591	
R67	Res. 1/10W 120k Ω ±1%	0200280059		CN2	Plug, PCB 53405-0210	0500940011	
R68	Res. 1/10W 7.87k Ω ±1%	0200279442		CN3	Plug, PCB BS5P-SHF-1AA	0500898015	
R69	Res. 1/10W 33k Ω ±1%	0200279732		CN4	Plug, PCB S3P-VH	0500011308	
R70,73,83	Res. 1/10W 2.2k Ω ±1%	0200279176		CN6	Wire w/Connector L=640	9702824013	
R71	Res. 1/10W 12.4k Ω ±1%	0200279541		CN7	Wire w/Connector L=460	9702823016	
R72,79	Res. 1/10W 15.4k Ω ±1%	0200279565		CN8	Thermistor 150-103-86119	9700801078	
R74	Res. 1/10W 31.6k Ω ±1%	0201114490		CN9	Thermistor 150-503-96056	9702039011	
R80	Res. 1/10W 20k Ω ±5%	0200213088		CN10	Plug, PCB 53325-0510	0501052546	
R81	Res. 1/10W 100k Ω ±5%	0200213255		W1	Wire w/Terminal WHT L=110	9701898015	
R82	Res. 1/10W 22k Ω ±5%	0200213095		W2	Wire w/Terminal RED L=110	9701898022	
R84,96	Res. 1/2W 10 Ω ±5%	0200731261		W3	Wire w/Terminal L=210	9701660018	
R85	Res. 1/2W 430 Ω ±5%	0200731650					
R86	Res. 1/2W 100 Ω ±5%	0200731506					

INDICATOR PCB ASSEMBLY (Ref. No. 385)

Ref. No.	Description	Part No.	Ord. Qty
IC201	Remote Control Amplifier GP1U26RM	0101751115	
D201	LED Display LB-602DA2	0000444064	
D202	Diode SLR-325VC RED	0000813259	
D205	Diode SLR-325YC YEL	0000813273	
D206	Diode SLR-325MC GRN	0000813242	
D207	Diode SLR-325DC ORG	0000813235	
R201	Res. Carbon 1/4W 47 Ω ±5%	0201038468	
C201	Cap. Elec. 10V 47 μ F	0301188162	
CN201	Plug, PCB 53325-0910	0501052584	
CN202	Plug, PCB 53325-1010	0501052591	

**[OUTDOOR UNIT]
INVERTER PCB ASSEMBLY (Ref. No. 236)**

When you order parts, please make a photocopy of this page and fill the number of the parts in the "Order" column.

Ref. No.	Description	Part No.	Ord. Q'ty	Ref. No.	Description	Part No.	Ord. Q'ty
IC1	IC MB89855RP-G-196-SH	9702352042		C5,11~13,31,60	Cap. Elec. 16V 220µF	0301197492	
IC4	Xstr Array µPA2003GRE2	0100028041		C6	Cap. Elec. 16V 100µF	0301192251	
IC5	IC PST600DMTL	0101461137		C8,51,52	Cap. Ceramic 50V 0.022µF	0300311745	
IC6,7	Photocoupler PS2561-1-VL	0000050456		C14	Cap. Elec. 16V 680µF	0301196358	
IC8	IC TA7805S	0101597010		C16,19	Cap. Elec. 50V 4.7µF	0301192534	
IC101	Xstr MP6502-LB	0000062114		C17,18,34,50	Cap. Ceramic 50V 0.01µF	0300311738	
H-IC1	H-IC HU2001	9701651016		C26~29	Cap. Elec. 50V 47µF	0301197102	
H-IC2	H-IC HU0001	9701348015		C33	Cap. Plastic 50V 0.01µF	0300169254	
H-IC3	H-IC HU0002	9701348022		C65~68,88~89	Cap. Ceramic 50V 0.1µF	0300311752	
Q1	Xstr 2SC4236	0000164047		C80	Cap. Plastic 0.015µF	9702104023	
D1-8	Diode D1FL20U	0000746519		C100,103	Cap. Plastic 1µF	0300304136	
D10	Diode RD5.6ES	0000520041		C101,102	Cap. Plastic 0.015µF	0301052081	
D28	Diode TLR124TPJ53	0000467025		C104	Cap. Plastic 0.22µF	9702651015	
D30~32,60	Diode DA226U	0000625036		F1	Fuse ATLCR 15A-250V	0600036027	
R1,101	Res. Metal Film 2W 220kΩ±5%	0200357096		F2	Fuse BET 3.15A-250V	0600222512	
R2	Res. Metal Oxide 2W 1kΩ±5%	0200045092		FH2	Fuse Holder PFC5000-0502	0500158072	
R3	Res. 1/2W 100Ω±5%	0200731506		T1	Switching Transformer ETS28KK1D8AG	9702333010	
R4	Res. 1/4W 330kΩ±5%	0200708621		CT1	Transformer CT-1A	9702334017	
R5,50,51,62,64,66,81~89,93~98	Res. 1/10W 10kΩ±5%	0200213019		X1	Ceramic Resonator EFO-EC8004T4	0400004011	
R30	Res. 1/4W 20Ω±1%	0201092309		K101	Relay G4A-1A-P-PS	9701717019	
R31	Res. 1/4W 220Ω±1%	0200005300		K2	Relay G5S-1	9701925018	
R32	Res. 1/10W 100Ω±1%	0200278452		K3,4	Relay G5N-1A	9701566013	
R33,39	Res. 1/10W 47kΩ±5%	0200213170		L1	Coil FK-140M-5020HR	9702335014	
R34,40,52~53,72	Res. 1/10W 1kΩ±5%	0200212746		CR1,2	CR Absorber RPEL-121204-C	9701125012	
R37	Res. 1/4W 130Ω±1%	0200005126		VR1	Semi-fixed Variable B2kΩ	0200947013	
R38	Res. 1/4W 154Ω±1%	0200005195		CN10	Plug, PCB B7P-VH-B	0500011117	
R60	Res. 1/10W 1.5kΩ±1%	0200279091		CN20	Wire UL1007 AWG24 P7 L=240	9702643010	
R61	Res. 1/10W 3.74kΩ±1%	0201113561		CN21	Wire UL1007 AWG24 P6 L=120	9702635015	
R63	Res. 1/10W 6.65kΩ±1%	0201113806		CN30	Plug, PCB B2P3-VH-B-C	0500011773	
R65	Res. 1/10W 56kΩ±1%	0200279855		W1	Wire UL1015 AWG14 BLK L=220	9702629014	
R67	Res. 1/10W 38.3kΩ±1%	0201114575		W2	Wire UL1015 AWG14 WHT L=170	9702630010	
R68	Res. 1/10W 22kΩ±5%	0200213095		W3	Wire UL1015 AWG16 GRN L=140	9702627010	
R73	Res. 1/10W 82kΩ±5%	0200213231		W103,104,105	Wire UL1015 AWG16 P3 L=110	9701436026	
R80	Res. 1/10W 2.2kΩ±5%	0200212821		W4	Wire UL1015 AWG20 RED L=195	9701703036	
R102,103	Res. Cement 5W 0.3Ω±5%	0200207117		W5	Wire UL1015 AWG14 ORG L=310	9702631017	
C1	Cap. Ceramic 2kV 220pF	0301236276		W6	Wire UL1015 AWG14 GRY L=250	9702632014	
C2,30,32	Cap. Plastic 50V 0.047µF	0300169339		W7,8	Wire UL1015 AWG20 ORG L=160	9702644017	
C3	Cap. Elec. 16V 100µF	0301197454		W12	Wire UL1015 AWG14 YEL L=290	9702637019	
C4	Cap. Elec. 25V 220µF	0301197553		W13	Wire UL1015 AWG14 BLU L=190	9702636012	
				W24,25	Wire UL1015 AWG20 P3 L=320	9702642013	

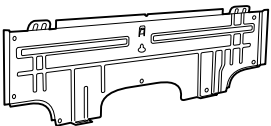

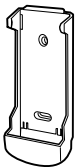

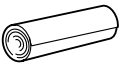



FILTER PCB ASSEMBLY (Ref. No. 202)

Ref. No.	Description	Part No.	Ord. Q'ty
C201	Cap. Plastic 1µF	0300304136	
VA201,202	Varistor ERZ-V10V471CS	0000515139	
SA201	Arrester RA-302M-V7-F	0600280147	
L201	Coil FK-150M-3320HR	9702610012	
L202	Coil SKC-4019	9702611019	
TM201,202	Plug Contact 86028	0500536016	
JM200	Wire 0.6 dia L=10mm	9700025016	
CN202	Plug, PCB B2P3-VH-B-Y	0500011827	
W201	Wire UL1015 AWG14 WHT L=190	9702639013	
W202	Wire UL1015 AWG14 BLK L=210	9702640019	
W203	Wire UL1015 AWG16 GRN L=170	9702628017	
W206,207	Wire UL1015 AWG20 P3 L=430	9702626013	

ACTIVE FILTER PCB ASSEMBLY (Ref. No. 203)

Ref. No.	Description	Part No.	Ord. Q'ty
IC401	IC µPC24M18AHF	0100795509	
IC402,403,408	Photocoupler PS2561-1-VL	0000050456	
IC404	IC µPC358C	0100001013	
IC406	IC µPC78L12J	0100895025	
IC407	IC PST600D-2-TP	0101461113	
Q401	Xstr DTC114ES	0000519014	
D401	Diode S1VB20	0000292054	
D402	Diode 1SS133	0000572019	
R402,404,430	Res. Carbon 1/4W 10kΩ±5%	0201005019	
R403	Res. 1/4W 1kΩ±5%	0201038758	
R405,406,408,409	Res. Carbon 1/2W 180kΩ±5%	0200011592	
R407	Res. Metal Film 680Ω	0201028216	
R410	Res. Carbon 1/4W 820kΩ±5%	0201038734	
R411,422	Res. Carbon 1/4W 470kΩ±5%	0201005415	
R412,416,423,431	Res. Carbon 1/4W 4.7kΩ±5%	0201038895	
R413,417,418	Res. Carbon 1/4W 2.2kΩ±5%	0201038833	
R414	Res. Metal Film 4.75kΩ	0201028186	
R420	Res. Metal Film 4.02kΩ	0201028209	
R421	Res. Metal Film 1.87kΩ	0201028193	
VR401,402	Semi-fixed Variable B2kΩ	0200947013	
C401	Cap. Elec. 25V 10µF	0301192312	
C402	Cap. Elec. 50V 330µF	0301190950	
C403	Cap. Elec. 35V 100µF	0301197690	
C404	Cap. Ceramic 0.1µF	0300988251	
F401	Fuse BET 3.15A-250V	0600222512	
FH401	Fuse Holder PFC5000-0502	0500158072	
VA401	Varistor ERZ-V10V471CS	0000515139	
CN401	Plug, PCB B5B-XASK-1-A	0501045043	
CN402	Plug, PCB B2B-XH-AM	0500005321	
CN403	Plug, PCB B2P3-VH-B	0500011728	
CN404	Plug, PCB B2P3-VH-B-R	0500011766	
CN406	Plug, PCB B2P3-VH-B-E	0500011759	
CN407	Plug, PCB B6B-XASK-1-A	0501045050	

STANDARD ACCESSORIES

Name and Shape	Part No.
Wall hook bracket 	9306588014
Remote control unit 	9307979033
Remote control unit holder case 	9305642014
Battery (penlight) 	0600185534
Cloth tape 	9308117007
Seal-A 	9304536000
Tapping screw (big) (ø4 x 25) 	0700076046
Tapping screw (small) (ø3 x 12) 	0700019036

