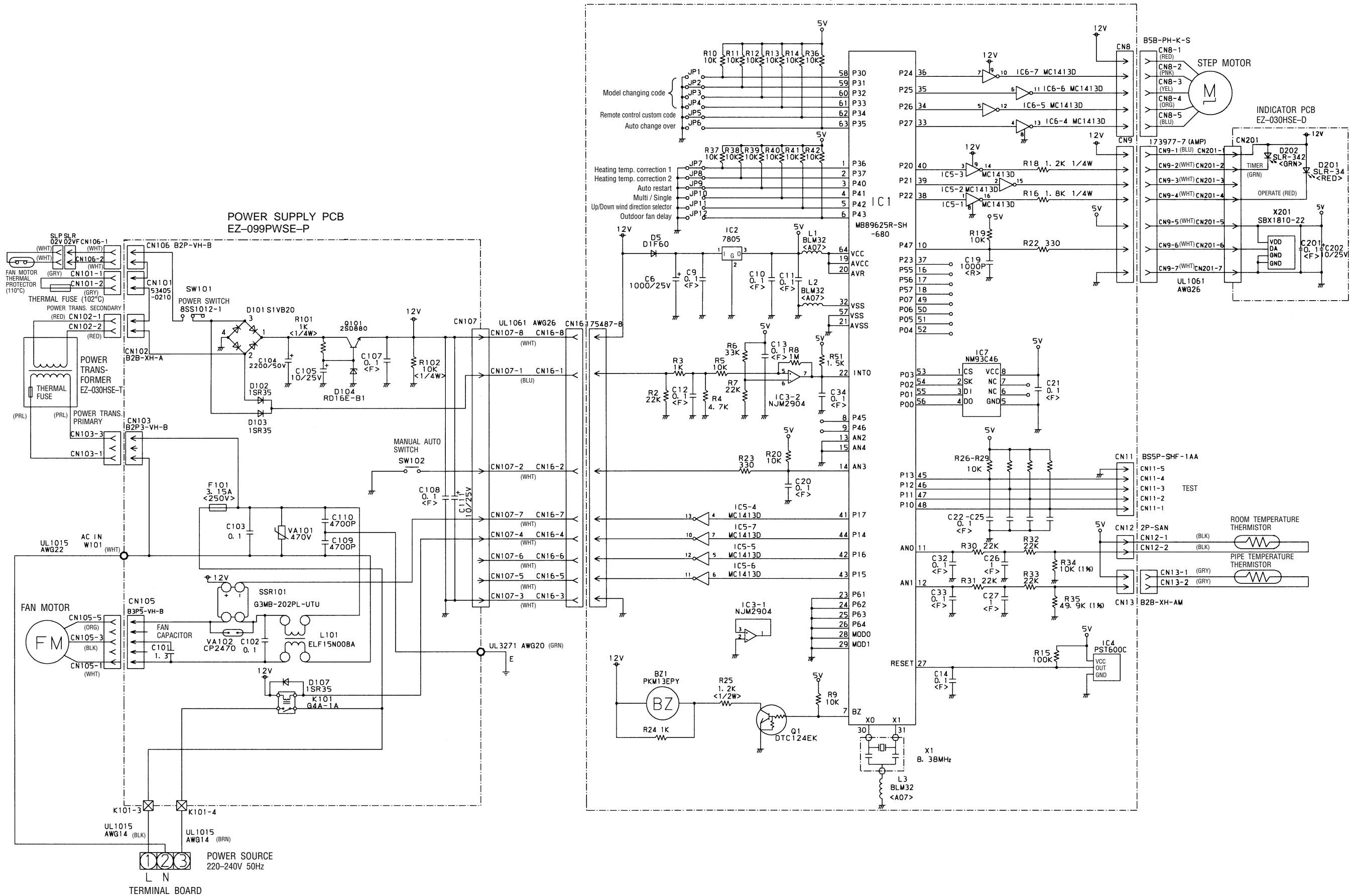


INDOOR PRINTED CIRCUIT BOARD CIRCUIT DIAGRAM

Model : ASG17ASACW

CONTROLLER PCB ASSEMBLY EZ-095GWSE-C (GM-6805)



Model : ASG17RSACW

CONTROLLER PCB ASSEMBLY (MAIN PCB)
EZ-0960HSE-C (F)

