

Service Manual

Room Air Conditioner



CS-C7CKP CU-C7CKP5
CS-C9CKP CU-C9CKP5
CS-C9CKP CU-C9CKP6
CS-C12CKP CU-C12CKP5
CS-C12CKP CU-C12CKP6

Subject : Additional of Resistor (R66) at the Main Electronic Controller for Ionizer Countermeasure

Please file and use this supplement manual together with the service manual for Model No. CS-C7CKP/CU-C7CKP5, CS-C9CKP/CU-C9CKP5, CS-C9CKP/CU-C9CKP6, CS-C12CKP/CU-C12CKP5, CS-C12CKP/CU-C12CKP6, Order No. MAC0208023C8.

WARNING

This service information is designed for experienced repair technicians only and is not designed for use by the general public. It does not contain warnings or cautions to advise non-technical individuals of potential dangers in attempting to service a product. Products powered by electricity should be serviced or repaired only by experienced professional technicians. Any attempt to service or repair the product or products dealt with in this service information by anyone else could result in serious injury or death.

CONTENTS

	Page		Page
1 Wiring Diagram (Page: 18)	2	2 Electronic Circuit Diagram (Pages: 75~77, 81~82)	3

Panasonic

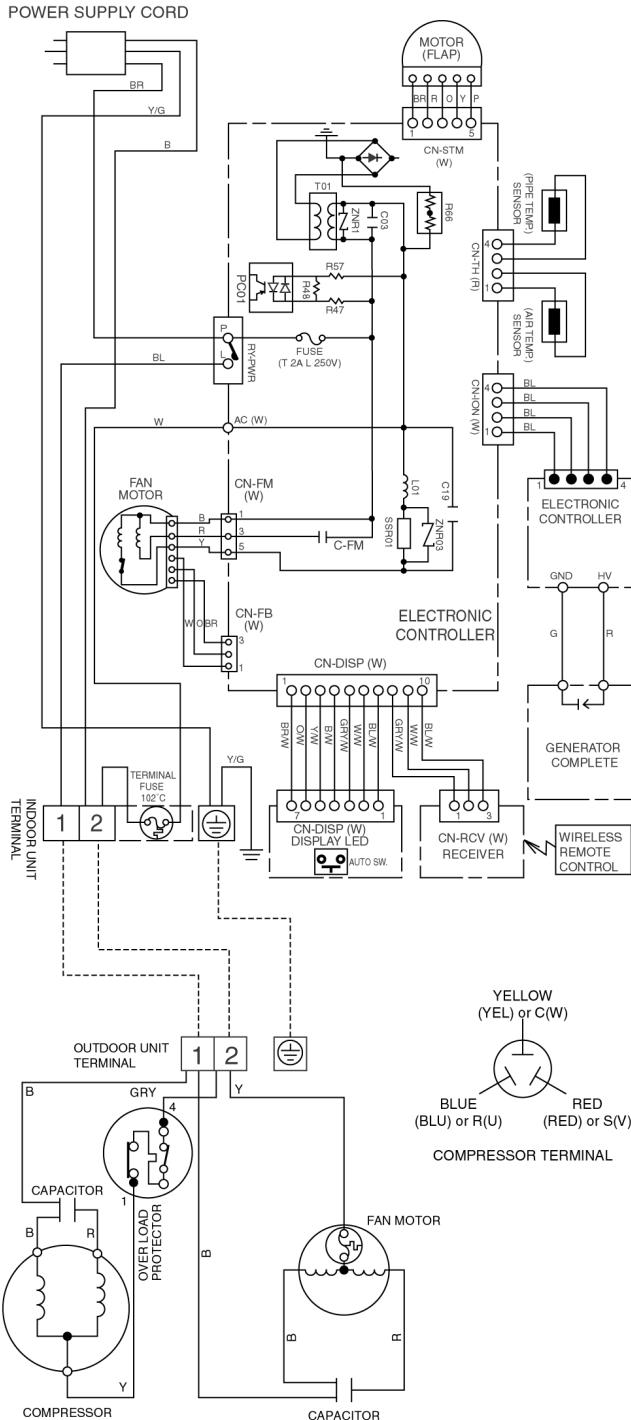
© 2003 Matsushita Industrial Corp. Sdn. Bhd. (11969-T). All rights reserved. Unauthorized copying and distribution is a violation of law.

1 Wiring Diagram (Page: 18)

CS-C7CK / CU-C7CK
CS-C9CK / CU-C9CK
CS-C12CK / CU-C12CK

REMARKS

- B : BLUE
- BR : BROWN
- BL : BLACK
- G : GREEN
- GRY : GRAY
- O : ORANGE
- P : PINK
- R : RED
- W : WHITE
- Y : YELLOW
- Y/G : YELLOW/GREEN



Resistance of Indoor Fan Motor Windings

MODEL	CS-C7CK CS-C9CK CS-C12CK
CONNECTION	CWA921060
BLUE-YELLOW	371.0 Ω
YELLOW-RED	386.6 Ω

Note: Resistance at 20°C of ambient temperature.

Resistance of Outdoor Fan Motor Windings

MODEL	CU-C7CK	CU-C12CK
CONNECTION	CWA951088	CWA951120
BLUE-YELLOW	217.3 Ω	200.4 Ω
YELLOW-RED	198.5 Ω	252.5 Ω

MODEL	CU-C9CK CU-C12CK	CU-C9CK
CONNECTION	CWA951128	CWA951118
BLUE-YELLOW	210.7 Ω	203.5 Ω
YELLOW-RED	196.5 Ω	190.3 Ω

Note: Resistance at 20°C of ambient temperature.

Resistance of Compressor Windings

MODEL	CU-C7CK
CONNECTION	2RS110D5DA04
C-R	5.382 Ω
C-S	5.328 Ω

Note: Resistance at 20°C of ambient temperature.

MODEL	CU-C9CK	
CONNECTION	2PS146D3AA04	2R13C236BSC
C-R	3.941 Ω	3.298 Ω
C-S	3.499 Ω	5.500 Ω

Note: Resistance at 20°C of ambient temperature.

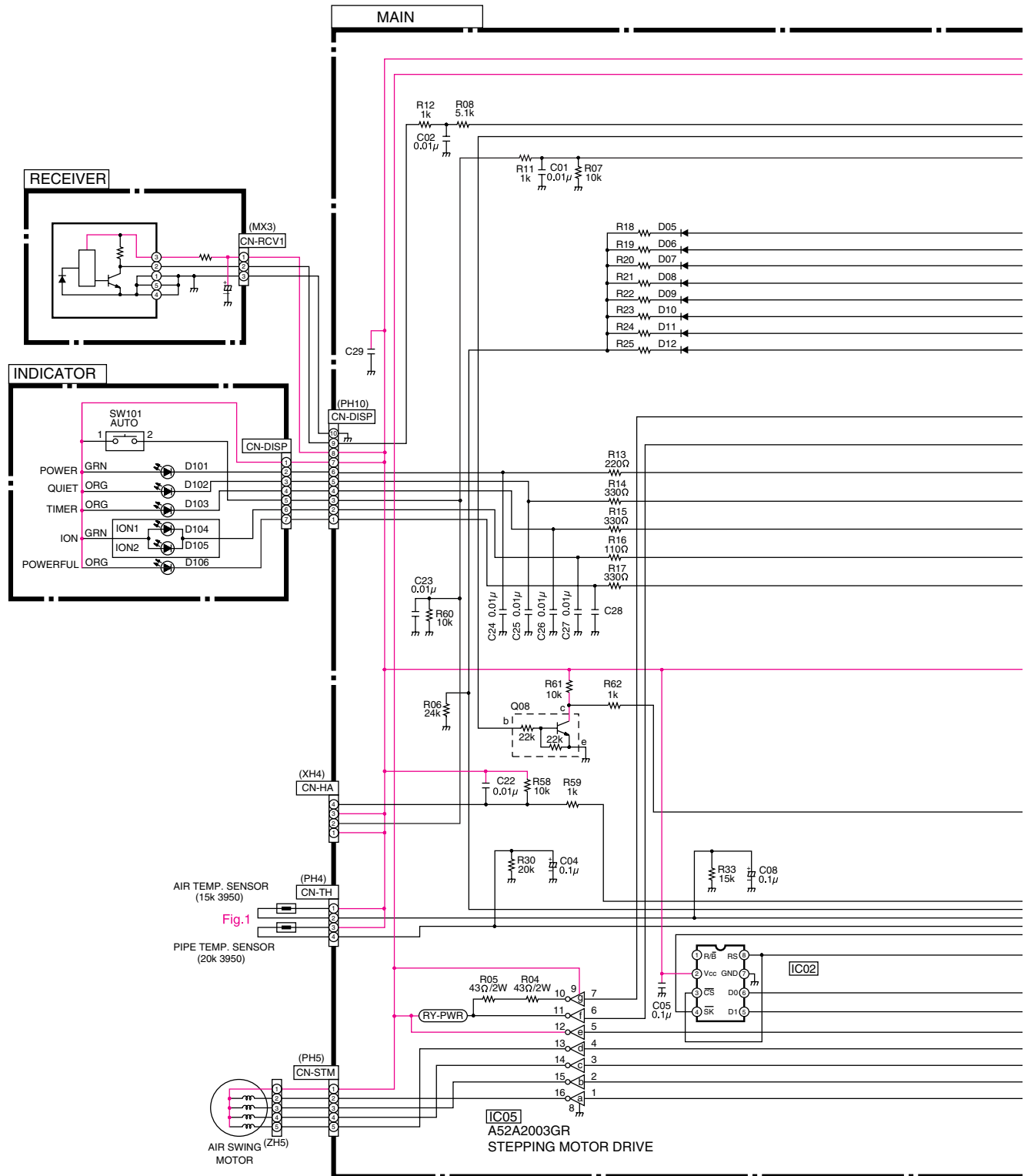
MODEL	CU-C12CK	
CONNECTION	QJ208PAA	2P19S236A1L
C-R (Main)	3.31 Ω	2.237 Ω
C-S (Sub)	4.72 Ω	2.710 Ω

Note: Resistance at 25°C/20°C of ambient temperature.

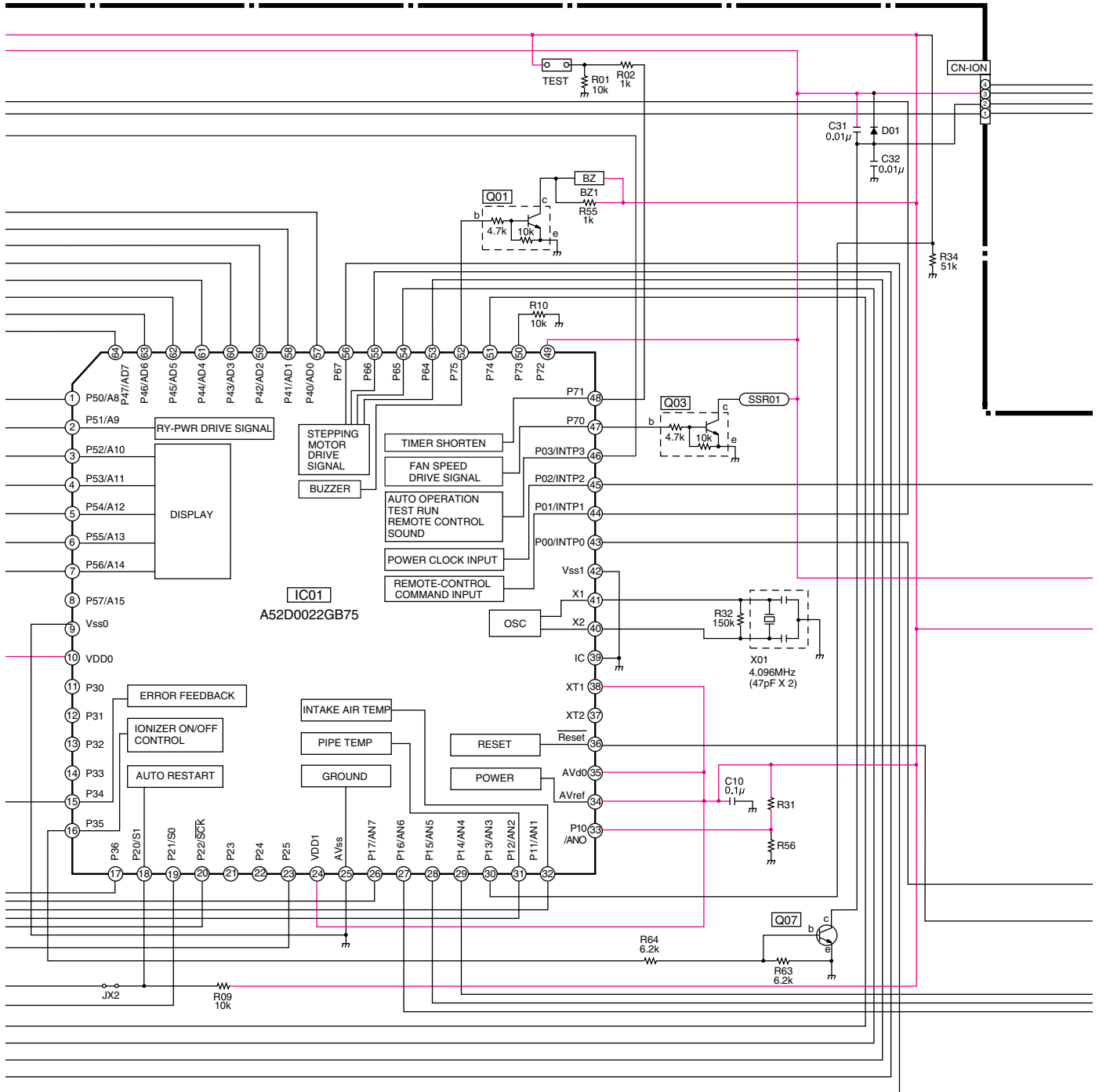
2 Electronic Circuit Diagram (Pages: 75~77, 81~82)

- CS-C7CK / CU-C7CK
- CS-C9CK / CU-C9CK
- CS-C12CK / CU-C12CK

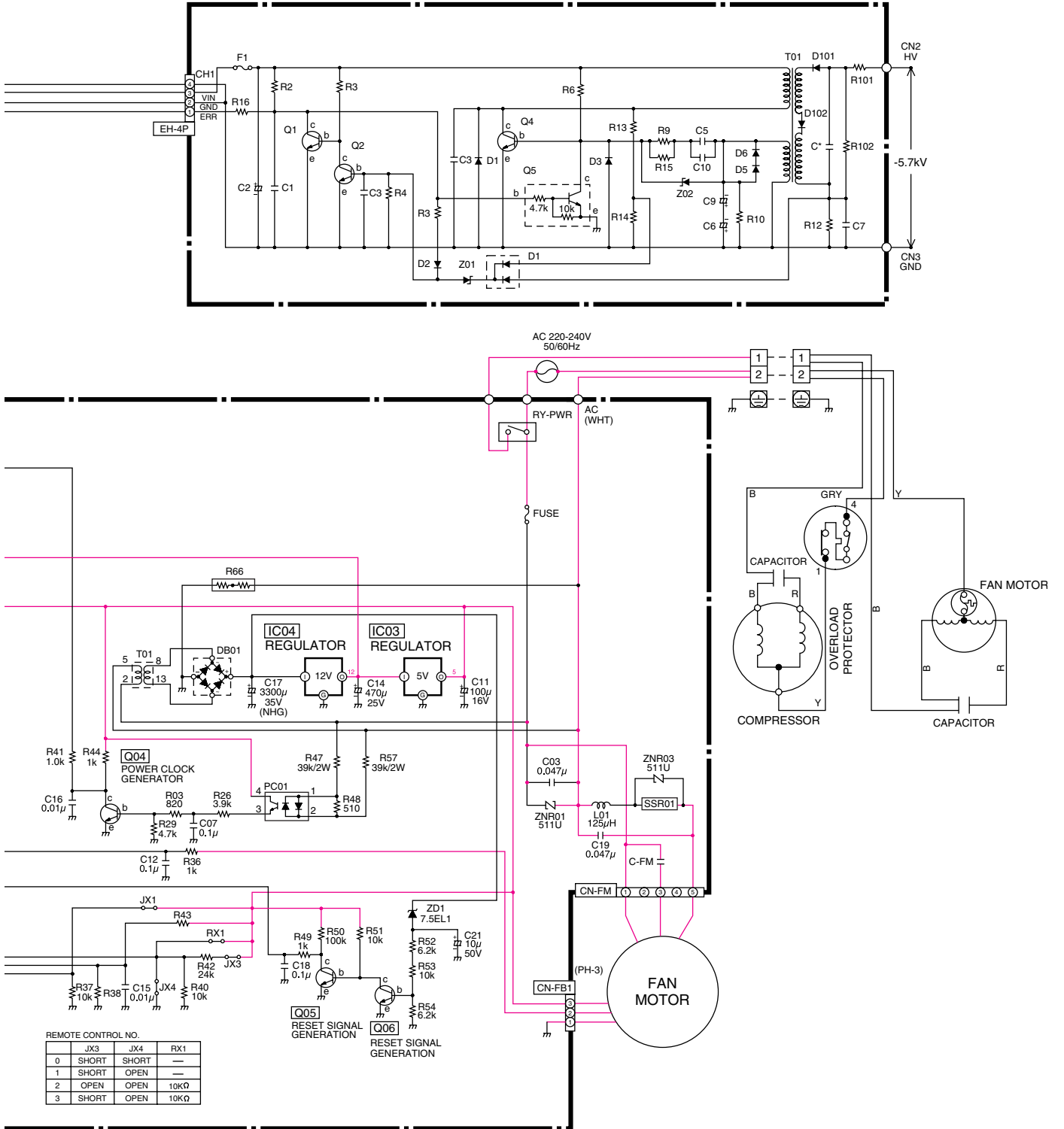
SCHEMATIC DIAGRAM 1/3



SCHEMATIC DIAGRAM 2/3

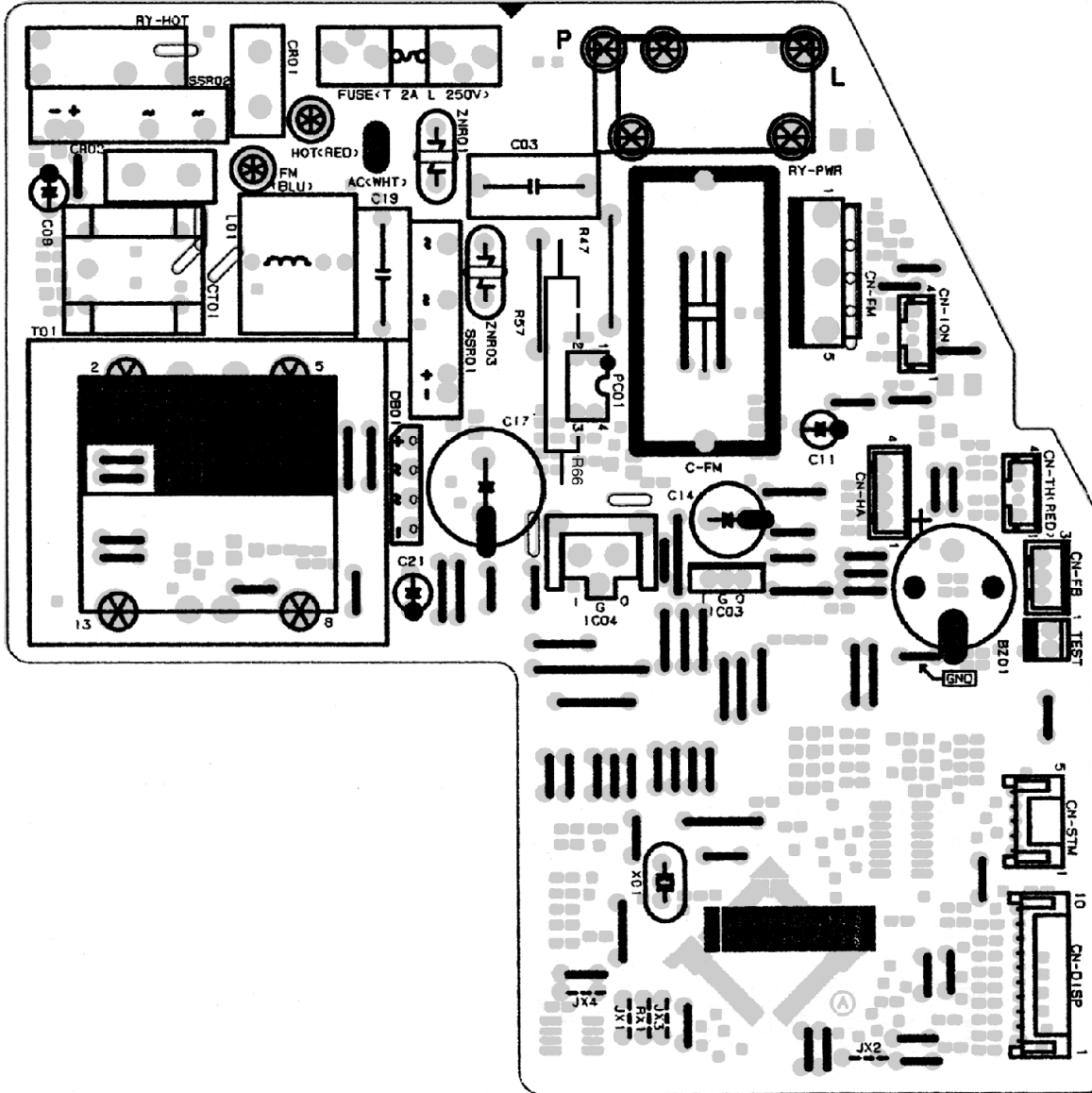


SCHEMATIC DIAGRAM 3/3



2.1. PRINT PATTERN INDOOR UNIT PRINTED CIRCUIT BOARD

TOP VIEW



2.2. PRINT PATTERN INDOOR UNIT PRINTED CIRCUIT BOARD

BOTTOM VIEW

