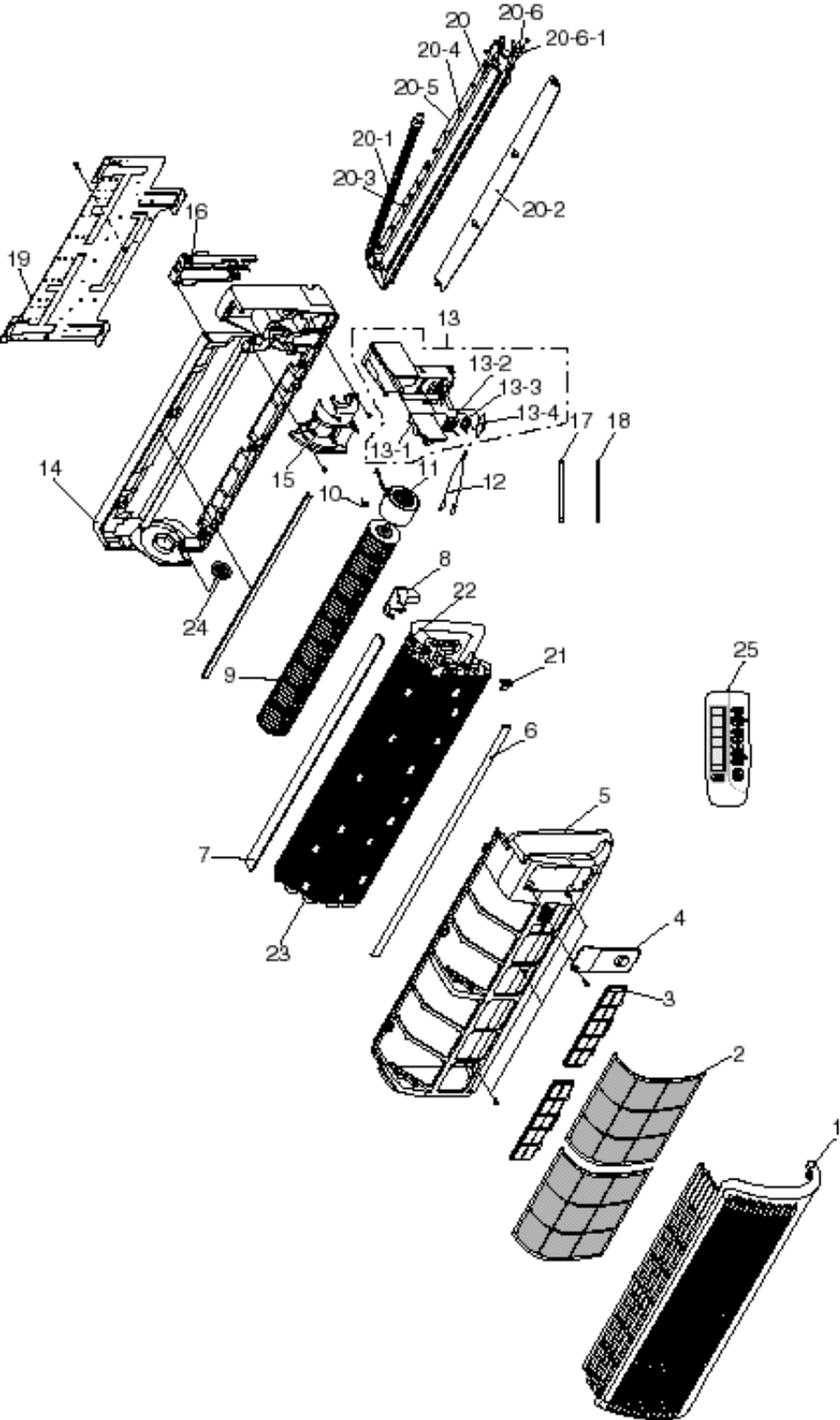


6. Exploded Views and Parts List

6-1 Indoor Unit



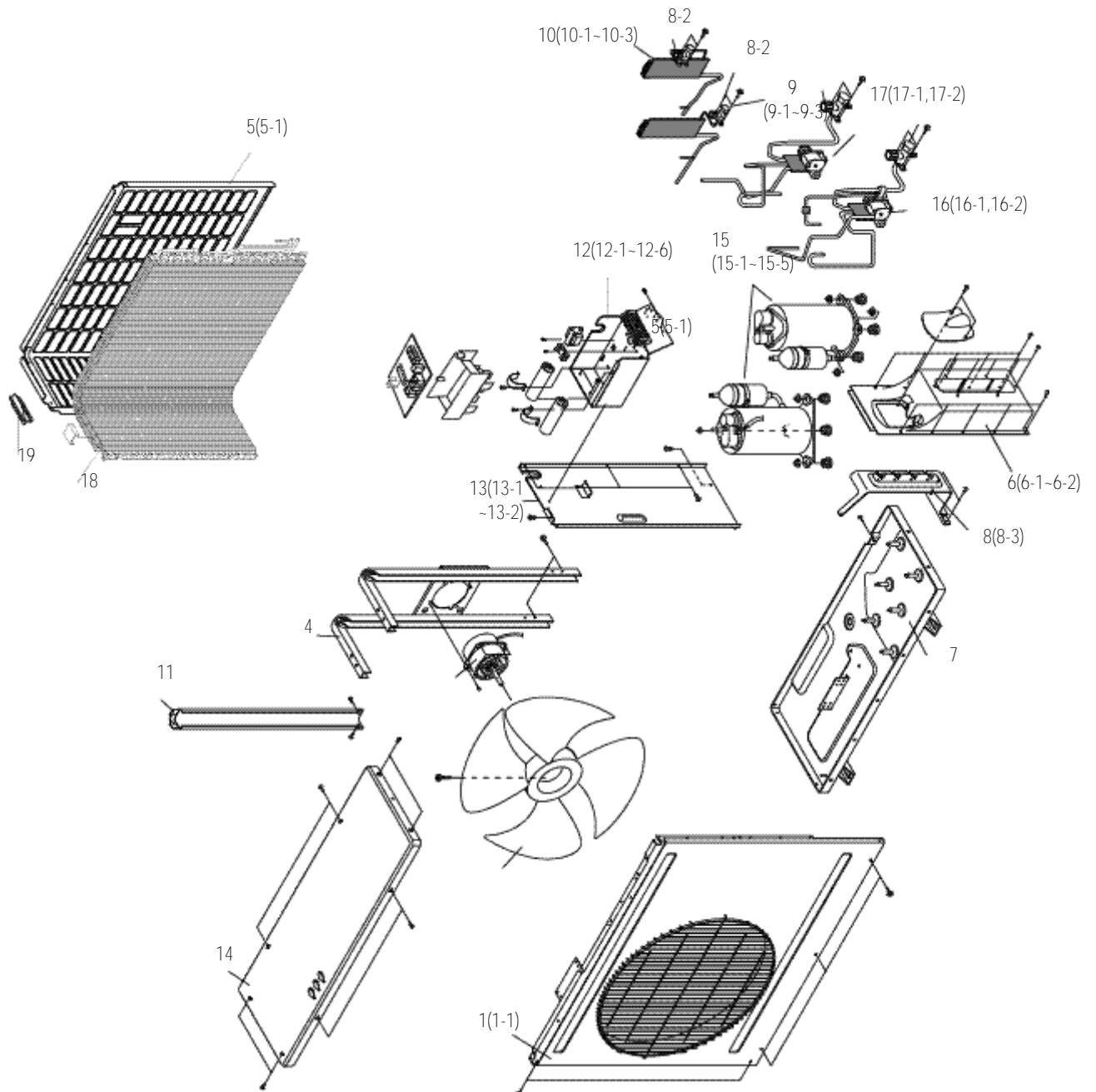
Exploded Views and Parts List

■ Parts List

No.	CODE NO	Description	Q'TY					
			AD18B1(B2)E09 MH18ZA1(A2)-09	AD24B1(B2)E12 MH24ZA1(A2)-12	AD19B1(B2)E07 MH19ZA1(A2)-07	AD19B1(B2)E12 MH19ZA1(A2)-12	AD26B1(B2)E12 MH26ZA1(A2)-12	AD26B1(B2)E07 MH26ZA1(A2)-07
1	DB64-00085A	GRILLE AIR INLET	1	1	1	1	1	1
2	DB63-00064A	GUARD-AIR FILTER	2	2	2	2	2	2
3	DB74-00011A	FILTER CLEANER ASS'Y	1	1	1	1	1	1
4	DB63-00067A	COVER TEMINAL	1	1	1	1	1	1
5	DB92-00054A	ASS'Y PANEL SVC	1	1	1	1	1	1
6	DB67-00051A	SPACER EVAP LOW	1	1	1	1	1	1
7	DB67-00032A	SPACER EVAP UP	1	1	1	1	1	1
8	DB63-00083A	COVER U BEND	1	1	1	1	1	1
9	DB94-00020A	ASS'Y FAN CROSS	1	1	1	1	1	1
10	DB60-20011A	BOLT SPECIAL	1	1	1	1	1	1
11	DB31-00033A	MOTOR FAN IN	1	1	1	1	1	1
12	DB32-00020A	THERMISTOR WIRE ASS'Y	1	1	1	1	1	1
13	DB93-00314B	ASS'Y CONTROL IN	1	1	1	1	1	1
13-1	DB93-00319A	ASS'Y PCB MAIN	1	1	1	1	1	1
13-2	DB65-00030A	TERMINAL BLOCK ASS'Y	1	1	1	1	1	1
13-3	DB61-00171A	HOLDER WIRE CLAMP	1	1	1	1	1	1
13-4	DB93-00268A	ASS'Y PCB DISPLAY	1	1	1	1	1	1
14	DB94-00019A	ASS'Y BACK BODY(LEFT SIDE)	(1)	(1)	(1)	(1)	(1)	(1)
	DB94-00056A	ASS'Y BACK BODY(RIGHT SIDE)	1	1	1	1	1	1
15	DB61-00162A	HOLDER MOTOR	1	1	1	1	1	1
16	DB61-00165A	HOLDER PIPE	1	1	1	1	1	1
17	DB39-00146A	CONNECT WIRE DISPLAY	1	1	1	1	1	1
18	DB39-00147A	CONNECT WIRE PCB U/D	1	1	1	1	1	1
19	DB70-00036A	PLATE HANGER	1	1	1	1	1	1
20	DB94-00058B	ASS'Y TRAY DRAIN(RIGHT SIDE)	1	1	1	1	1	1
20-1	DB94-00018A	ASS'Y DRAIN HOSE	1	1	1	1	1	1
20-2	DB66-00042A	BLADE H	1	1	1	1	1	1
20-3	DB66-00043A	BLADE V,A	3	3	3	3	3	3
20-4	DB66-00043B	BLADE V,B	6	6	6	6	6	6
20-5	DB63-00082A	SCREEN SAFETY WIRE	1	1	1	1	1	1
20-6	DB95-20138A	ASS'Y MOTOR STEPPING	1	1	1	1	1	1
20-6-1	DB31-10129A	MOTOR STEPPING: GSP 24RW	1	1	1	1	1	1
21	DB61-40251A	HOLDER SENSOR	1	1	1	1	1	1
22	DB67-60030A	SPRING SENSOR	1	1	1	1	1	1
23	DB75-00031A	EVAPORATOR ASS'Y	1	1	1	1	1	1
24	DB94-40003A	ASS'Y BEARING	1	1	1	1	1	1
25	DB93-00251L	ASS'Y REMOCON	1	1	1	1	1	1

6-2 Outdoor Unit

6-2-1 UD24B1(B2)E2/MH24ZA1(A2)X

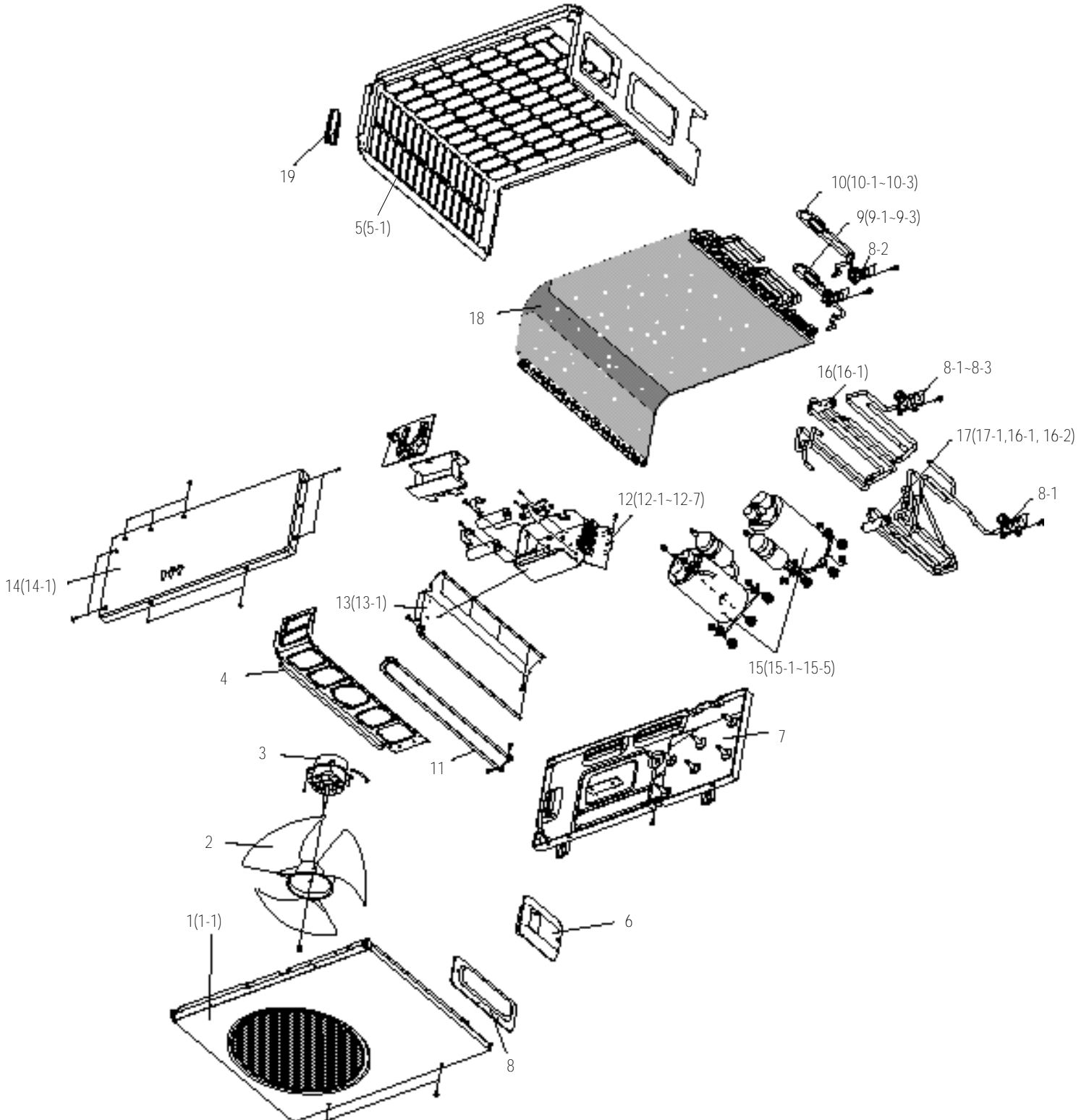


Exploded Views and Parts

■ Parts List

No.	CODE NO	Description	Specification	Q'TY	Remark
1	DB90-00075B	ASS'Y-WELD FRONT	SC-90073T	1	
1-1	DB72-60034G	INSUL FRONT OUT	FOAM PE+PV-SHEET	1	
2	DB67-50067A	FAN-PROPELLER	AS+G/F20%	1	
3	DB31-10083C	MOTOR-FAN OUT	OSM-8065SRC	1	⚠
4	DB61-20093A	BASE-MOTOR	SGCC-M	1	
5	DB90-00189A	ASS'Y CABINET-BACK	ASS'Y	1	
5-1	DB72-00065A	INSUL SIDE CABI	FOAM PE + PV-SHEET	1	
6	DB90-40120B	ASS'Y-COVER VALVE	ASS'Y	1	
6-1	DB63-10433B	COVER-CONTROL	PP	1	
6-2	DB63-10434B	COVER-VALVE	pp	1	
7	DB90-20207A	ASS'Y-BASE OUT	AM24A1B2	1	
8	DB99-00063B	ASS'Y-VALVE	AD24A1E2	1	
8-1	DB62-40101A	VALVE-PACKED 1/2"	1/2"	2	
8-2	DB62-40099A	VALVE-PACKED 1/4"	1/4"	2	
8-3	DB61-30510A	BRACKET-VALVE	SC-90073T	1	
9	DB99-10166A	ASS'Y CHECK V/V, A	ASS'Y	1	
9-1	DB62-40034A	VALVE CHECK	30kg/m2G	1	
9-2	DB62-31965D	TUBE CAPI (C)	ID 1.7 x 1200	1	
9-3	DB62-31966C	TUBE CAPI (H)	ID 1.5 x 500	1	
10	DB99-10167A	ASS'Y CHECK V/V, B	ASS'Y	1	
10-1	DB62-40034A	VALVE CHECK	30kg/m2G	1	
10-2	DB62-31965D	TUBE CAPI (C)	ID 1.7 x 1200	1	
10-3	DB62-31966C	TUBE CAPI (H)	ID 1.5 x 500	1	
11	DB63-30027C	GUARD-COND	SC-90073T	1	
12	DB93-00030B	ASS'Y CONTROL OUT	UD24A1E2	1	⚠
12-1	DB61-10199B	CASE CONTROL OUT	SGCC-M	1	
12-2	DB61-10200A	CASE PCB OUT	P.P	1	
12-3	2501-001062	C-OIL	30μF x 420V	2	
12-4	DB65-40072A	TERMINAL BLOCK	8P	1	
12-5	2501-000299	C-OIL	5μF x 450V	1	
12-6	PD-UD18B1-00	ASS'Y PCB MAIN OUT	HEAT-PUMP	1	
13	DB94-50041C	ASS'Y-PARTITION	ASS'Y	1	
13-1	DB72-60099B	INSUL PARTITION	FOAM PE + PV-SHEET	1	
13-2	DB67-30083A	PARTITION	SGCC-M	1	
14	DB90-10616B	ASS'Y-CABI UPPER	ASS'Y	1	
15	48A124JV1EG	ASS'Y-COMP	48A124JV1EG	2	⚠
15-1	DB73-10004A	GROMMET-ISOLATOR	EPDM	6	
15-2	DB60-30028A	NUT-WASHER	M8	6	
15-3	DB60-30018A	NUT-FLANGE	P10.8	2	
15-4	DB63-10165D	COVER-TERMINAL	NORYL	2	
15-5	DB47-20001Z	OLP	MRA12030-12008	2	
16	DB99-00064A	ASS'Y 4-WAY V/V, A	ASS'Y	1	
16-1	DB62-40035A	4-WAY VALVE	SAGINOMIYA	1	
16-2	DB27-10003D	SOLENOID-V/V	SAGINOMIYA	1	
17	DB99-00065A	ASS'Y 4-WAY V/V, B	ASS'Y	1	
17-1	DB62-40035A	4-WAY VALVE	SAGINOMIYA	1	
17-2	DB27-10003K	SOLENOID-V/V	SAGINOMIYA	1	
18	DB96-00360A	CONDENSER	ASS'Y	1	
19	DB63-10492A	COVER-HANDLE	ABS	1	

6-2-2 UD18B1(B2)E2/MH18ZA1(A2)X/UD19B1(B2)E2/MH19ZA1(A2)X

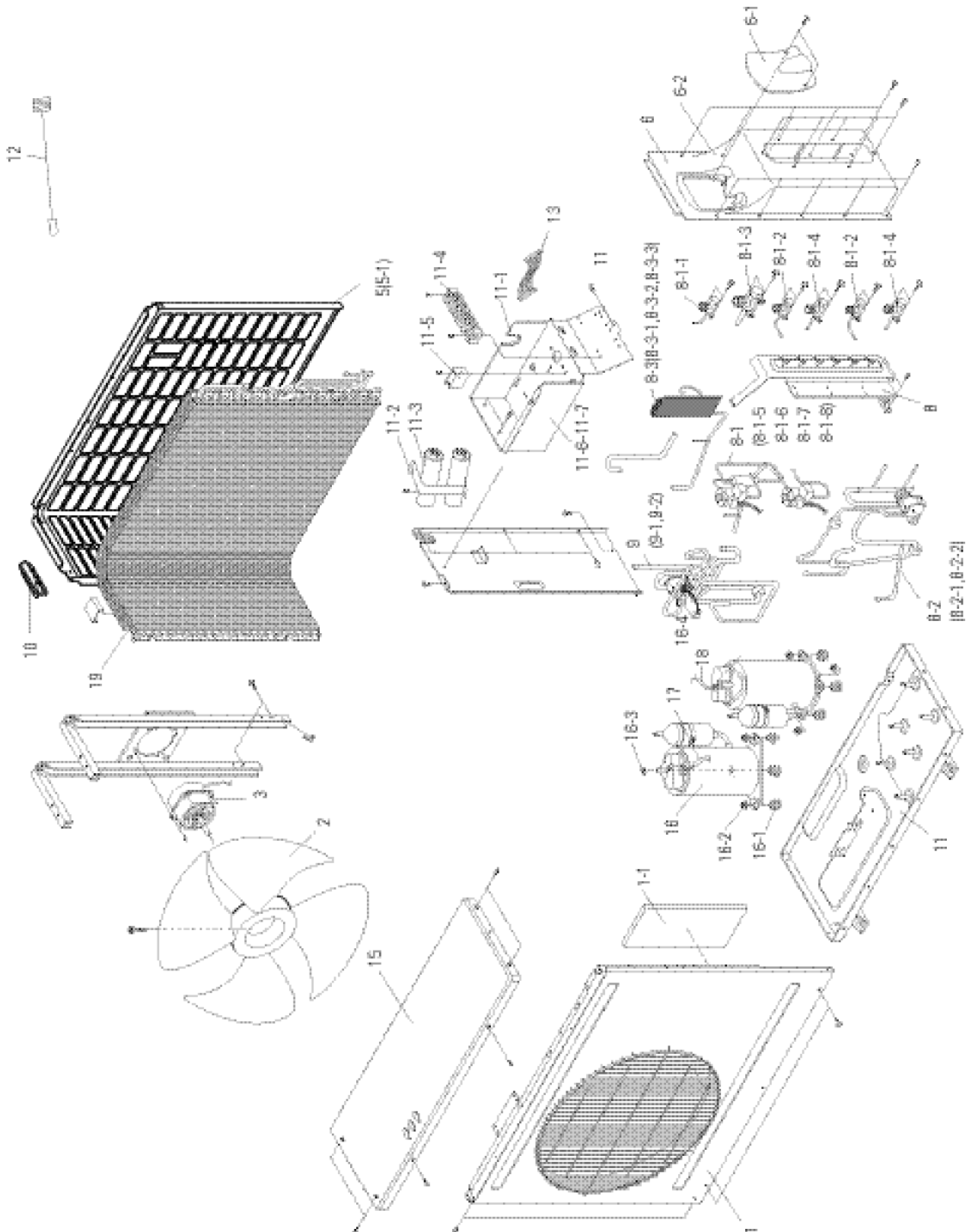


Exploded Views and Parts

■ Parts List

No.	CODE NO	Description	Specification	Q'TY		Remark
				UD18B1(B2)E2 MH18ZA1(A2)X	UD19B1(B2)E2 MH19ZA1(A2)X	
1	DB90-10614M	ASS'Y-WELD FRONT	SC-90073J	1	1	
1-1	DB72-60034A	INSUL FRONT	Foam Pe + PV-SHEET	1	1	
2	DB67-50063A	FAN-PROPELLER	AS+G/F20%	1	1	
3	DB31-00001B	MOTOR-FAN OUT	IC-9630SLJ5A	1	1	△
4	DB61-20008C	BASE-MOTOR	SGCC-M	1	1	
5	DB90-00073A	ASS'Y CABINET-BACK	ASS'Y	1	1	
5-1	DB72-60078F	INSUL SIDE	Foam Pe + PV-SHEET	1	1	
6	DB90-40176A	ASS'Y-COVER TERMINAL	ASS'Y	1	1	
7	DB90-20211A	ASS'Y-BASE OUT	AD18A1E2	1	-	
	DB90-00018A	ASS'Y-BASE OUT	AD19A1E2	-	1	
8	DB99-10171A	ASS'Y-VALVE	AD18A1E2	1	-	
	DB99-00001A	ASS'Y-VALVE	AD19A1E2	-	1	
8-1	DB62-40095A	VALVE-PACKED 3/8"	3/8"	2	1	
8-2	DB62-00026A	VALVE-PACKED 1/2"	1/2"	2	1	
8-3	DB62-40094A	VALVE-PACKED 1/4"	1/4"	-	2	
9	DB99-10172A	ASS'Y CHECK V/V, A	ASS'Y	1	-	
	DB96-00020A	ASS'Y TUBE CAPI A	ASS'Y	-	1	
9-1	DB62-40034A	VALVE CHECK	30kg/m ² G	1	-	
9-2	DB62-31965C	TUBE CAPI (C)	ID 1.5 X 800	1	-	
	DB62-31965F	TUBE CAPI-A	ID 1.42 X 900	-	1	
9-3	DB62-31966B	TUBE CAPI (H)	ID 1.42 X 400	1	-	
10	DB99-10173A	ASS'Y CHECK V/V, B	ASS'Y	1	-	
	DB99-00002A	ASS'Y CHECK V/V, B	ASS'Y	-	1	
10-1	DB62-40034A	VALVE CHECK	30kg/m ² G	1	1	
10-2	DB62-31965C	TUBE CAPI (C)	ID 1.5 X 800	1	-	
	DB62-31965G	TUBE CAPI B	ID 1.7 X 800	-	1	
10-3	DB62-31966B	TUBE CAPI (H)	ID 1.42 X 400	1	-	
	DB62-31966C	TUBE CAPI (H)	ID 1.5 X 500	-	1	
11	DB63-30025D	GUARD-COND	SC-90073T	1	1	
12	DB93-00031B	ASS'Y CONTROL OUT	AD18A1E2	1	-	△
	DB93-00057B	ASS'Y CONTROL OUT	AD19A1E2	-	1	
12-1	DB61-10199A	CASE CONTROL OUT	SGCC-M	1	1	
12-2	DB61-10200A	CASE PCB OUT	PP	2	2	
12-3	2501-001062	C-OIL	30μF X 420V	2	1	
12-4	2501-001158	C-OIL	25μF X 450V	-	1	
12-5	DB65-40072A	TERMINAL BLOCK	8P	1	1	
12-6	2501-001066	C-OIL	2.5μF X 450V	1	1	
12-7	PD-UD18B1-00	ASS'Y-PCB MAIN OUT	HEAT-PUMP	1	1	
13	DB94-50036B	ASS'Y PARTITION	ASS'Y	1	1	
13-1	DB72-60034E	INSUL PARTITION	Foam Pe + PV-SHEET	1	1	
14	DB90-10613B	ASS'Y-CABI UPPER	ASS'Y	1	1	
15	44B092JW1EG	ASS'Y-COMP	44B092JW1EG	2	1	△
	44A070JW1EC	ASS'Y-COMP	44A070JW1EC	-	1	
	48A124JV1EG	ASS'Y-COMP	48A124JV1EG	-	1	
15-1	DB73-10004A	GROMMET-ISOLATOR	EPDM	6	6	
15-2	DB60-30028A	NUT-WASHER	M8	6	6	
15-3	DB60-30018A	NUT-FLANGE	P10.8	2	2	
15-4	DB63-10165B	COVER-TERMINAL	NORYL	2	2	
15-5	DB47-20002B	OLP	MRA12037-12007	2	-	
	DB47-20001Y	OLP	MST24AMN-12008	-	1	
	DB47-20001Z	OLP	MRA12030-12008	-	1	
16	DB99-00016A	ASS'Y 4-WAY V/V, A	ASS'Y	-	-	
	DB99-00076A	ASS'Y 4-WAY V/V, A	ASS'Y	-	1	
16-1	DB62-40035A	4-WAY VALVE	SAGINOMIYA	1	1	
16-2	DB27-10003D	SOLENOID-COIL	SAGINOMIYA	1	1	
17	DB99-00017A	ASS'Y 4-WAY V/V, B	MH18ZA1X	1	-	
	DB99-00077A	ASS'Y 4-WAY V/V, B	MH19ZA1X	-	1	
17-1	DB62-40035A	4-WAY VALVE	SAGINOMIYA	1	1	
18	DB75-30110A	CONDENSER	AD18A1E2	1	-	
	DB96-00049A	CONDENSER	AD19A1E2	-	1	
19	DB63-10492K	COVER-HANDLE	ABS	1	1	

6-2-3 UD26B1(B2)E3/MH26ZA1(A2)X

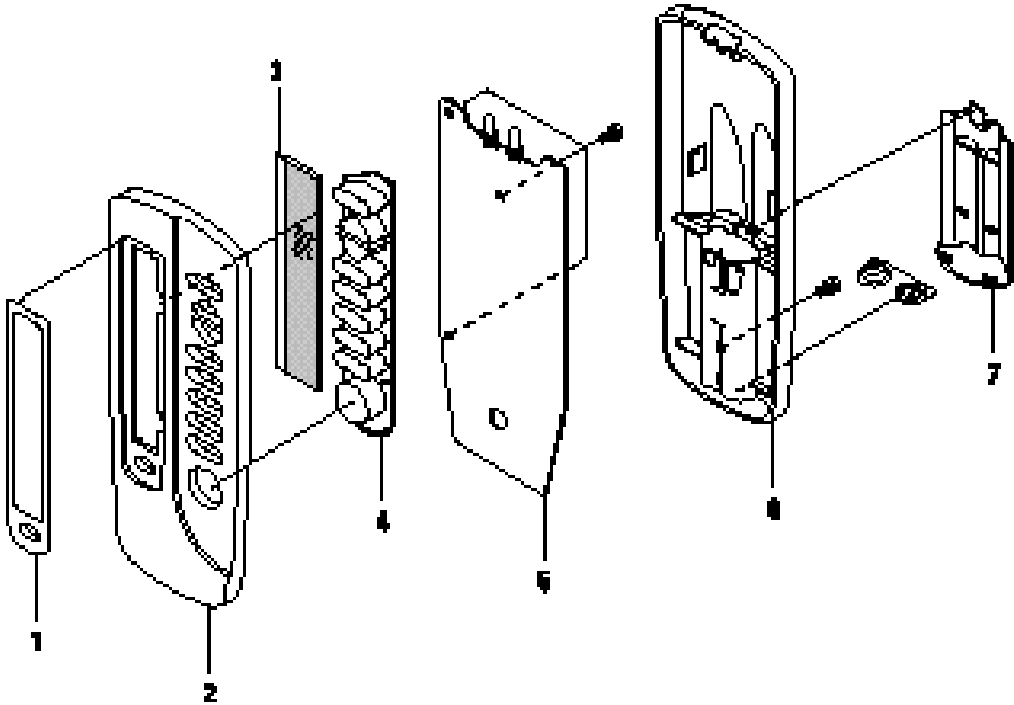


■ Parts List

No.	CODE NO	Description	Specification	Q'TY	Remark
1	DB90-00075B	ASS'Y-WELD FRONT	ASS'Y	1	
1-1	DB72-60034G	INSUL FRONT OUT	EVA + Foam pE	1	
2	DB67-50067A	FAN-PROPELLER	AS+G/F20%	1	
3	DB31-10083C	MOTOR-FAN OUT	OSME-806SRC	1	⚠
4	DB61-20093A	BASE-MOTOR	SGCC-M	1	
5	DB90-00189A	ASS'Y-CABINET-BACK	ASS'Y	1	
5-1	DB72-00065A	INSUL CABI BACK	FOAM PU + FOAM PE	1	
6	DB90-40120B	ASS'Y COVER VALVE	ASS'Y	1	
6-1	DB63-10433B	COVER-CONTROL	p.p	1	
6-2	DB63-10434B	COVER-VALVE	PP	1	
7	DB90-20207A	ASS'Y-BASE OUT	ASS'Y	1	
8	DB99-10123A	ASS'Y-BRACKET VALVE	ASS'Y	1	
8-1	DB99-10122A	ASS'Y EXPANSION VALVE	ASS'Y	1	
8-1-1	DB62-40107A	VALVE-PACKED 1/4"	1/4"	2	
8-1-2	DB62-40099A	VALVE-PACKED 1/4"	1/4"	1	
8-1-3	DB62-40074C	VALVE-PACKED 1/2"	1/2"	1	
8-1-4	DB62-40073B	VALVE-PACKED 3/8"	3/8"	2	
8-1-5	DB62-40104A	COIL EXPANSION	SAGINOMIYA	1	
8-1-6	DB62-40104B	COIL EXPANSION	SAGINOMIYA	1	
8-1-7	DB62-40103A	BODY EXPANSION	SAGINOMIYA	2	
8-1-8	DB62-31771A	TUBE DISTRIBUTOR	ASS'Y	1	
8-2	DB99-10121A	ASS'Y-4-WAY VALVE B	ASS'Y	1	
8-2-1	DB62-40035A	VALVE 4-WAY	ASS'Y	1	
8-2-2	DB27-10003E	SOLENOID	ASS'Y	1	
8-3	DB99-10118A	ASS'Y-CHECK VALVE A	ASS'Y	1	
8-3-1	DB62-40034A	VALVE CHECK	ASS'Y	1	
8-3-2	DB62-31760A	TUBE CAPILLARY C	C12200-T	1	
8-3-3	DB62-31761A	TUBE CAPILLARY H	C12200-T	1	
9	DB99-10120A	ASS'Y-4-WAY VALVE A	ASS'Y	1	
9-1	DB27-10003D	SOLENOID VALVE	ASS'Y	1	
9-2	DB62-40035A	VALVE 4-WAY	ASS'Y	1	
10	DB63-10492A	COVER HANDLE	SC-90073T	1	
11	DB93-40701A	ASS'Y CONTROL OUT	ASHM260VE	1	⚠
11-1	DB61-10156A	CASE CONTROL OUT	SGCC-M	1	
11-2	DB65-10103A	CLIP-CAPACITOR	SGCC-M	1	
11-3	2501-001062	C-OIL	30μF x ø420V	2	
11-4	DB65-40041E	TERMINAL BLOCK	10P	1	⚠
11-5	2501-000299	C-OIL	5μF x ø450V	1	
11-6	DB26-10070A	TRANS-POWER	ASS'Y	1	
11-7	PD-UD18B1-00	ASS'Y-MAIN PCB OUT	ASS'Y	1	
12	DB32-10055A	THERMISTAR OUT	ASS'Y	1	
13	DB39-20279A	CONNECT WIRE-DISPLAY	ASS'Y	1	
14	DB94-50041B	ASS'Y PARTITION	ASS'Y	1	
14-1	DB72-60099B	INSUL PARTITION	EVA + FOAM PE	1	
14-2	DB67-30083A	PARTITION	SGCC-M	1	
15	DB90-00076A	ASS'Y-CABI UPPER	ASS'Y	1	
16	48A124JV1EG	ASS'Y-COMP	48A124JV1EG	2	⚠
16-1	DB73-10004A	GROMMET-ISOLATOR	EPDM	6	
16-2	DB60-30029A	NUT-HEXAGON	M8	6	
16-3	DB60-30018A	NUT-FLANGE	P10.8	2	
16-4	DB63-10165B	COVER-TERMINAL	NORYL	2	
17	DB91-20079A	ASS'Y-OLP A	MRA12030-12008	1	
18	DB91-20080A	ASS'Y-OLP B	MRA12030-12008	1	
19	DB75-30093A	CONDENSER	ASS'Y	1	

6-3 Remote Control & PCB Box

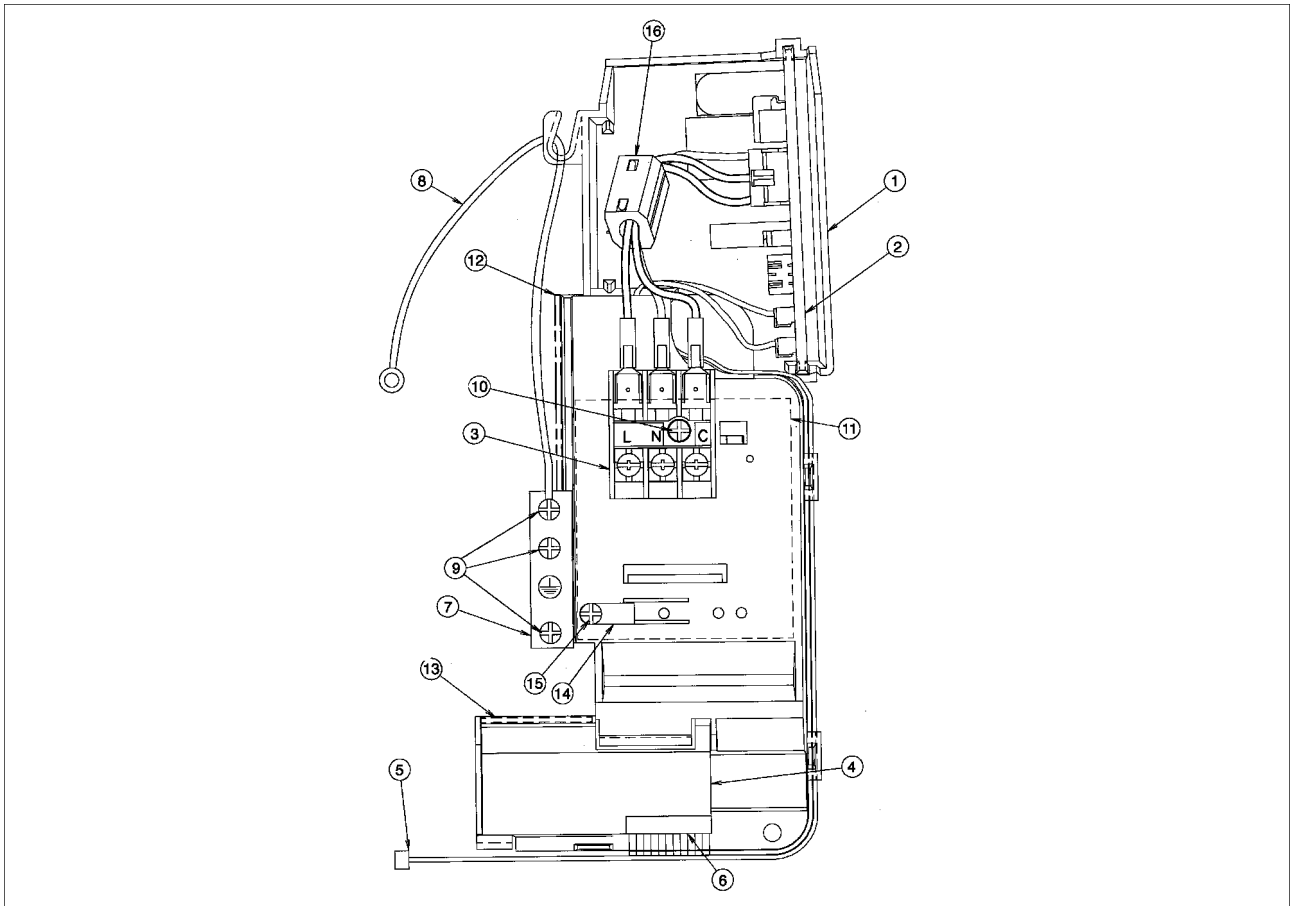
6-3-1 Remote Control



■ Parts List

No	Description	Q'TY	Remark
1	INLAY LCD	1	
2	CASE TOP	1	
3	LCD	1	
4	KEY RUBBER	1	
5	ASS'Y PCB REMOCON	1	
6	CASE LOW	1	
7	BATTERY COVER	1	

6-3-2 PCB Box



■ Parts List

No	Description	Specification	Code - No	EA
1	HOLDER CONTROL	ABS	DB61-00160A	1
2	ASS'Y MAIN PCB	AQ09A3ME	DB93-00319A	1
3	ASS'Y TERMINAL BLOCK		DB65-00046A	1
4	ASS'Y DISPLAY PCB	AQ09A3ME	DB93-00268A	1
5	CONNECTOR WIRE PCB U/D		DB39-00147A	1
6	CONNECTOR WIRE DISPLAY		DB39-00146A	1
7	BRACKET EARTH	SGCC-M	DB61-00163A	1
8	CONNECTOR WIRE EARTH	AWG#16	DE39-00148A	1
9	SCREW	WP, TH + M4 × L8, ZPC(WHT), T.C	6009-001001	2
10	SCREW MACHINE	PH, M4 × L25	-	1
11	HOLDER CLAMP IN		DB61-00219A	1
12	SEAL PANEL FRONT RH		DB72-00127P	1
13	SEAL H/CONTROL FRONT		DB72-00127V	1
14	CLAMP-CABLE	NYLON - NK -5N#66	DB65-10074E	1
15	SCREW-TAPPING	TH + 2S - M4L16, ZPC(YEL), ST	6002-000234	1
16	CORE	Ni-Zn, ∅18, BNF-18	DB31-40005A	0

MEMO