

## 2. Product Specifications

### 2-1 Table

Item			Model	AQ12*5(6)MB		AQ12*5(6)ME		AQ09*5(6)ME/SH09Z*5(6)	
				Indoor unit	Outdoor unit	Indoor unit	Outdoor unit	Indoor unit	Outdoor unit
Type			Wall-mounting		Wall-mounting		Wall-mounting		
Performance	Cooling		BTU/h(KW)	12000		12000 (3.4)		9000 (2.72)	
	Heating		BTU/h(KW)	13000		13000 (3.7)		10000 (2.95)	
	Dehumidifying		l/h	1.9		1.9		1.4	
	Air volume	Cooling	m <sup>3</sup> /min	7.4	19	7.4	19	6.0	18
		Heating		8.1	19	8.1	19	6.7	18
	Noise	Cooling	dB	41	53	41	53	38	51
		Heating		41	53	41	53	38	51
	Energy efficiency ratio	Cooling	BTU/h•W (W/W)	9.375		10.0		9.375	
Heating		10.0		10.6		10.752			
Power		V-Hz	1-220 -60		1-220 / 240-50		1-220 / 240-50		
Power	Power Consumption	Cooling	W	1280		1200		960	
		Heating		1300		1230		930	
	Operating Current	Cooling	A	6.0		5.4		4.4	
		Heating		6.2		5.5		4.2	
	Power factor	Cooling	%	97		96.6		94.9	
		Heating		95.3		97.2		96.3	
	Starting current		A	30		30		30	
	Power cord	Length	m	-		-		-	
Number of core wire		-		-		-			
Fuse capacity		A	250V-10 / 16A		250V-10 / 16A		250V-10 / 16A		
Size	Outer Dimension	Width x Height	mm	790 x 245 x 165	762 x 532 x 280	790 x 245 x 165	762 x 532 x 280	790 x 245 x 165	660 x 497 x 235
		x Depth	inch	31.1 x 9.6 x 6.5	30 x 20.9 x 11	31.1 x 9.6 x 6.5	30 x 20.9 x 11	31.1 x 9.6 x 6.5	26 x 19.6 x 9.3
	Weight			7.7	35	7.7	35	7.7	29
	Refrigerant pipe	Liquid	mm x L(MT)	ø6.35 x 5		ø6.35 x 5		ø6.35 x 5	
		GAS	mm x L(MT)	ø12.7 x 5		ø12.7 x 5		ø9.52 x 5	
	Drain hose		D x L(mm)	ø18 x 2000		ø18 x 2000		ø18 x 2000	
	Compressor	Type		Rotary		Rotary		Rotary	
		Motor	Type	-	-	-	-	-	-
			Rated output		-	-	-	-	-
	Blower	Type		Cross-flow	Propeller	Cross-flow	Propeller	Cross-flow	Propeller
Motor		Type	Resin	steel	Resin	steel	Resin	steel	
		Rated output	W	15	25	15	25	15	25
Heat exchanger			2ROW 12STEP	1ROW 20STEP	2ROW 12STEP	1ROW 20STEP	2ROW 12STEP	1ROW 18STEP	
Refrigerant control unit			CAPILLARY TUBE		CAPILLARY TUBE		CAPILLARY TUBE		
Freezer oil capacity			410		410		360		
Refrigerant to change(R-22)			800		820		670		
Protection device			MRA 12002-9200/MRA 12002-12008		MRA 12030-12008/RAC12030-9622		RAC 12054-9622		
Cooling test Condition			INDOOR UNIT : DB27°C WB19°C			OUTDOOR UNIT : DB35°C WB24°C			
Maximum operation Condition			INDOOR UNIT : DB32°C WB23°C			OUTDOOR UNIT : DB43°C WB26°C			

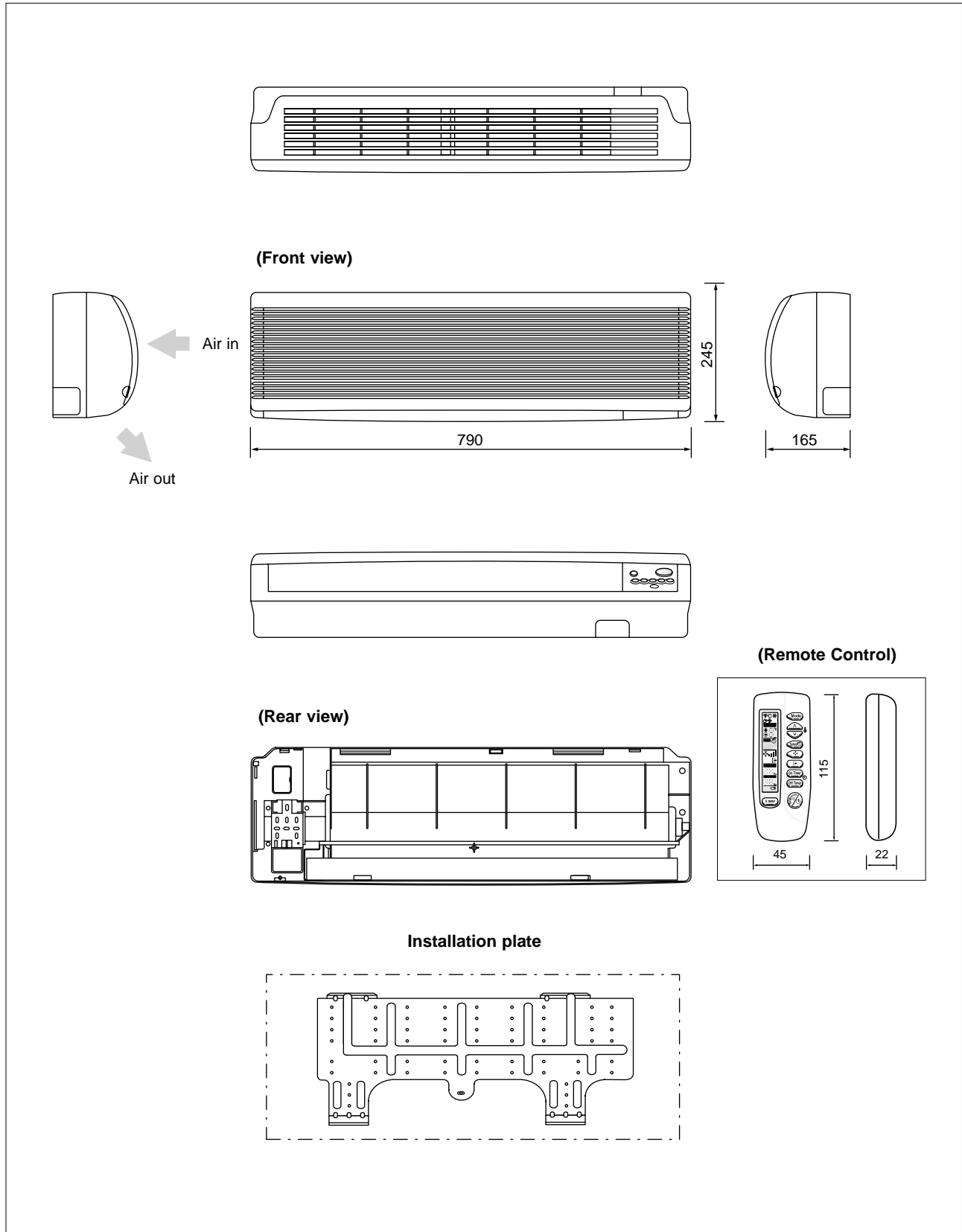
AQ07*5(6)ME/SH07Z*5(6)		AQ09*7(8)ME/SH09Z*7(8)		AQ07*7(8)ME/SH07Z*7(8)		AQ12*9(0)ME/SH12Z*9(0)	
Indoor unit	Outdoor unit	Indoor unit	Outdoor unit	Indoor unit	Outdoor unit	Indoor unit	Outdoor unit
Wall-mounting		Wall-mounting		Wall-mounting		Wall-mounting	
7500 (2.3)		9000 (2.64)		7500 (2.2)		12000 (3.5)	
8000 (2.38)		10000 (2.93)		8000 (2.34)		13000 (3.8)	
0.9		1.4		0.9		1.9	
5.6	18	6.0	20.5	5.6	20.5	7.4	19
5.5	18	6.7	20.5	5.5	20.5	8.1	19
35	50	38	51	35	50	41	53
35	50	38	51	35	50	41	53
10.0		9.47		10.0		10.3	
10.959		10.75		10.96		10.2	
1-220 / 240-50		1-220 / 240-50		1-220 / 240-50		1-220 / 240-50	
750		950		750		1170	
730		930		730		1270	
3.3		4.2		3.3		5.0	
3.3		3.9		3.2		5.4	
98.8		98.3		98.8		101.7	
96.7		10.37		99.2		102.3	
30		30		30		30	
-		-		-		-	
-		-		-		-	
250V-10 / 16A		250V-10 / 16A		250V-10 / 16A		250V-10 / 16A	
790 x 245 x 165	660 x 497 x 235	790 x 245 x 165	660 x 470 x 242	790 x 245 x 165	660 x 470 x 242	790 x 245 x 165	720 x 532 x 245
31.1 x 9.6 x 6.5	26 x 19.6 x 9.3	31.1 x 9.6 x 6.5	26 x 18.5 x 9.5	31.1 x 9.6 x 6.5	26 x 18.5 x 9.5	31.1 x 9.6 x 6.5	28.3 x 20.9 x 9.6
7.7	29	7.7	2.5	7.7	25	7.7	39
ø6.35 x 5		ø6.35 x 5		ø6.35 x 5		ø6.35 x 5	
ø9.52 x 5		ø9.52 x 5		ø9.52 x 5		ø12.7 x 5	
ø18 x 2000		ø18 x 2000		ø18 x 2000		ø18 x 2000	
Rotary		Rotary		Rotary		Rotary	
-	-	-	-	-	-	-	-
-	-	-	-	-	-	-	-
Cross-flow	Propeller	Cross-flow	Propeller	Cross-flow	Propeller	Cross-flow	Propeller
Resin	steel	Resin	steel	Resin	steel	Resin	steel
15	25	15	25	15	25	15	25
2ROW 12STEP	1ROW 18STEP	2ROW 12STEP	1ROW 18STEP	2ROW 12STEP	1ROW 18STEP	2ROW 12STEP	2ROW 20STEP
CAPILLARY TUBE		CAPILLARY TUBE		CAPILLARY TUBE		CAPILLARY TUBE	
360		360		360		410	
630		600		620		970	
RAC 12086-9622		MRA 12110-12008/RAC12054-9622		MRA 12086-12008/RAC12086-9622		MRA 12030-12008/RAC12030-9622	
INDOOR UNIT : DB27°C WB19°C				OUTDOOR UNIT : DB35°C WB24°C			
INDOOR UNIT : DB32°C WB23°C				OUTDOOR UNIT : DB43°C WB26°C			

**Table (Cont.)**

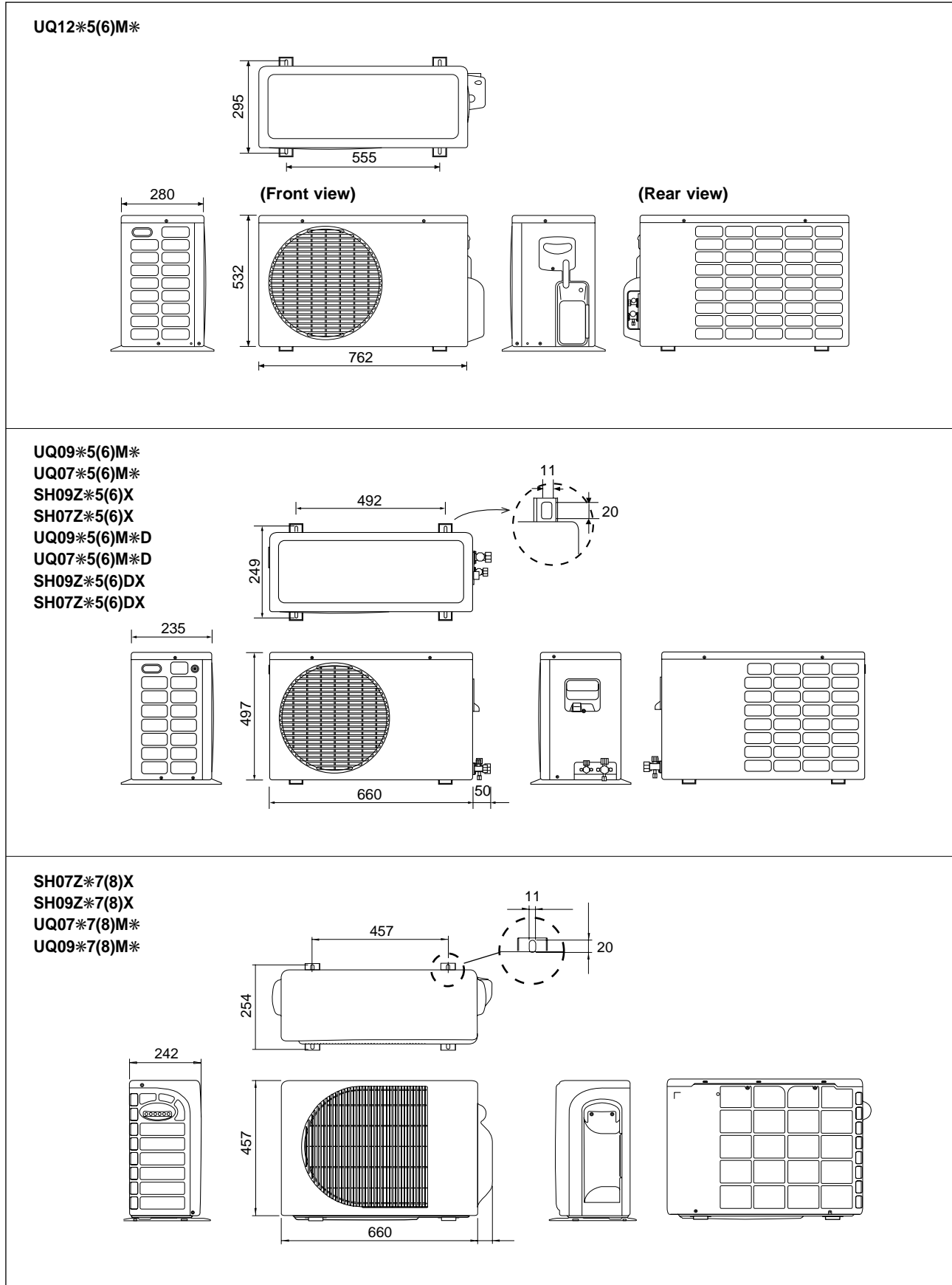
Item			Model	AQ12*A(B)ME / SH12Z*A(B)		AQ09*5(6)MED/SH09Z*5(6)D		AQ07*5(6)MED / SH07Z*5(6)D	
				Indoor unit	Outdoor unit	Indoor unit	Outdoor unit	Indoor unit	Outdoor unit
<b>Type</b>				Wall-mounting		Wall-mounting		Wall-mounting	
<b>Performance</b>	Cooling	BTU/h(KW)	12000 (3.5)		9000 (2.64)		7500 (2.20)		
	Heating	BTU/h(KW)	13000 (3.8)		10000 (2.85)		8000 (2.34)		
	Dehumidifying	ℓ/h	1.9		1.4		0.9		
	Air volume	Cooling	m <sup>3</sup> /min	7.4	23.0	6.0	18	5.6	18
		Heating		7.9	23.0	6.7	18	5.5	18
	Noise	Cooling	dB	41	53	38	51	35	50
		Heating		41	53	38	51	35	50
	Energy efficiency ratio	Cooling	BTU/h•W	(2.99)		8.91		9.74	
Heating		(W/W)	(2.99)		10.87		10.959		
Power		V-Hz	1-220 / 240-50		1-220 / 240-50		1-220 / 240-50		
<b>Power</b>	Power Consumption	Cooling	W	1170		1010		770	
		Heating		1270		920		730	
	Operating Current	Cooling	A	5.4		4.4		3.4	
		Heating		5.5		4.0		3.2	
	Power factor	Cooling	%	96.0		99.8		94.4	
		Heating		96.0		99.8		95.0	
	Starting current		A	30		30		30	
	Power cord	Length	m	-		-		-	
Number of core wire			-		-		-		
Fuse capacity		A	250V-10 / 16A		250V-10 / 16A		250V-10 / 16A		
<b>Size</b>	Outer Dimension	Width x Height x Depth	mm	790 x 245 x 165	740 x 530 x 230	790 x 245 x 165	660 x 497 x 235	790 x 245 x 165	660 x 497 x 235
			inch	31.1 x 9.6 x 6.5	29.1 x 20.6 x 9.1	31.1 x 9.6 x 6.5	26 x 19.6 x 9.3	31.1 x 9.6 x 6.5	26 x 19.6 x 9.3
	Weight		7.7	35.0	7.7	29	7.7	29	
	Refrigerant pipe	Liquid	mm x L(MT)	ø6.35 x 5		ø6.35 x 5		ø6.35 x 5	
		GAS	mm x L(MT)	ø12.7 x 5		ø9.52 x 5		ø9.52 x 5	
	Drain hose		D x L(mm)	ø18 x 2000		ø18 x 2000		ø18 x 2000	
	Compressor	Type		Rotary		Rotary		Rotary	
		Motor	Type	-	-	-	-	-	-
			Rated output		-	-	-	-	-
	Blower	Type		Cross-flow	Propeller	Cross-flow	Propeller	Cross-flow	Propeller
Motor		Type	Resin	steel	Resin	steel	Resin	steel	
		Rated output	W	15	25	15	25	15	25
Heat exchanger			2ROW 12STEP	1ROW 24STEP	2ROW 12STEP	1ROW 22STEP	2ROW 12STEP	1ROW 22STEP	
Refrigerant control unit			CAPILLARY TUBE		CAPILLARY TUBE		CAPILLARY TUBE		
Freezer oil capacity			410		360		360		
Refrigerant to change(R-22)			1000		610		520		
Protection device			RAC12030-9622		RAC 12054-9622		RAC 12086-9622		
Cooling test Condition			INDOOR UNIT : DB27°C WB19°C				OUTDOOR UNIT : DB35°C WB24°C		
Maximum operation Condition			INDOOR UNIT : DB32°C WB23°C				OUTDOOR UNIT : DB43°C WB26°C		

## 2-2 Dimensions

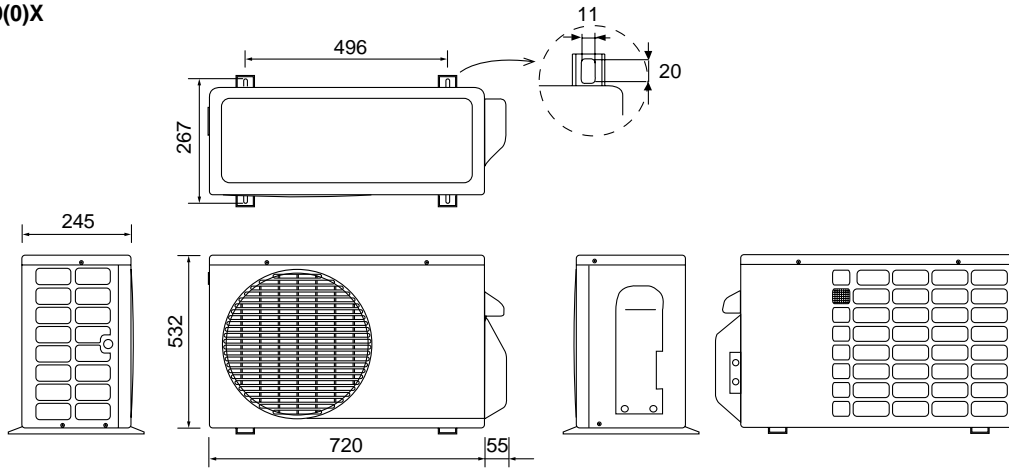
### 2-2-1 Indoor Unit



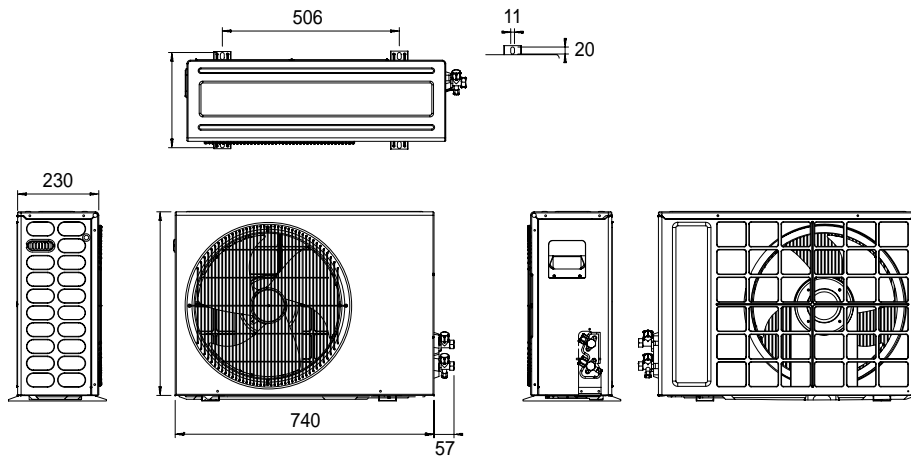
## 2-2-2 Outdoor Unit



**UQ12\*9(0)M\***  
**SH12Z\*9(0)X**

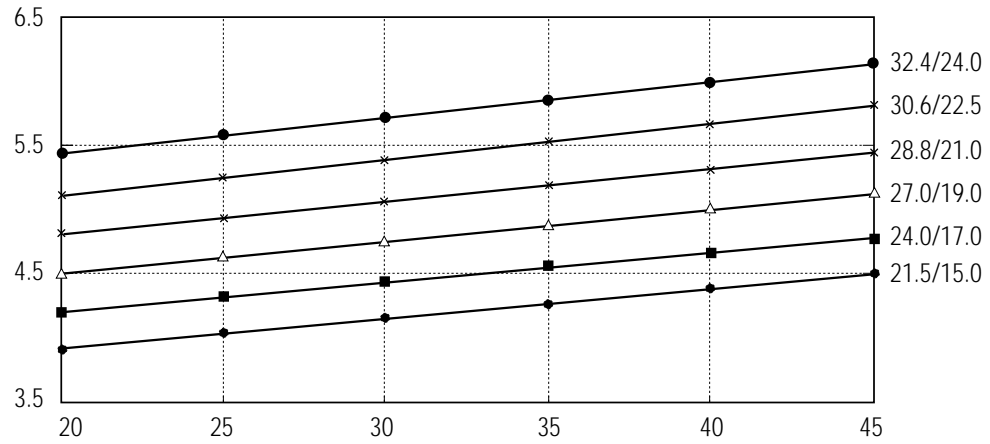


**UQ12\*A(B)ME**  
**SH12Z\*A(B)X**

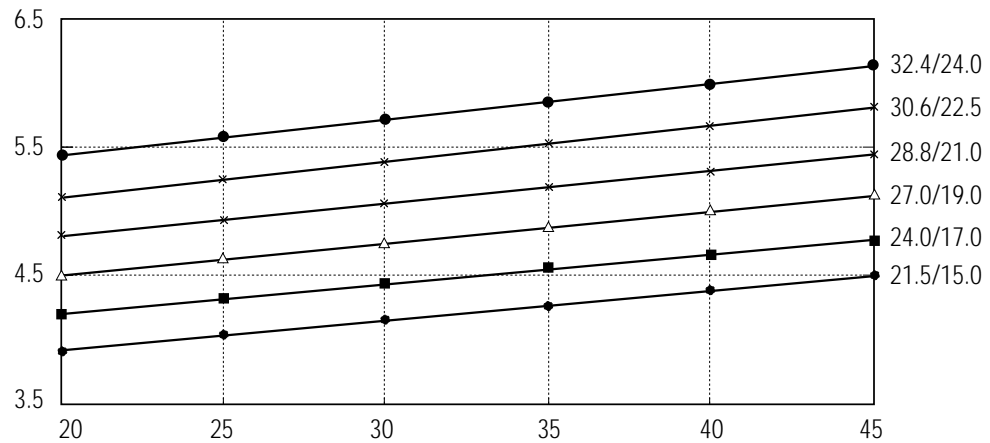


## 2-3 Pressure Graph

12K BTU



9K BTU



7K BTU

