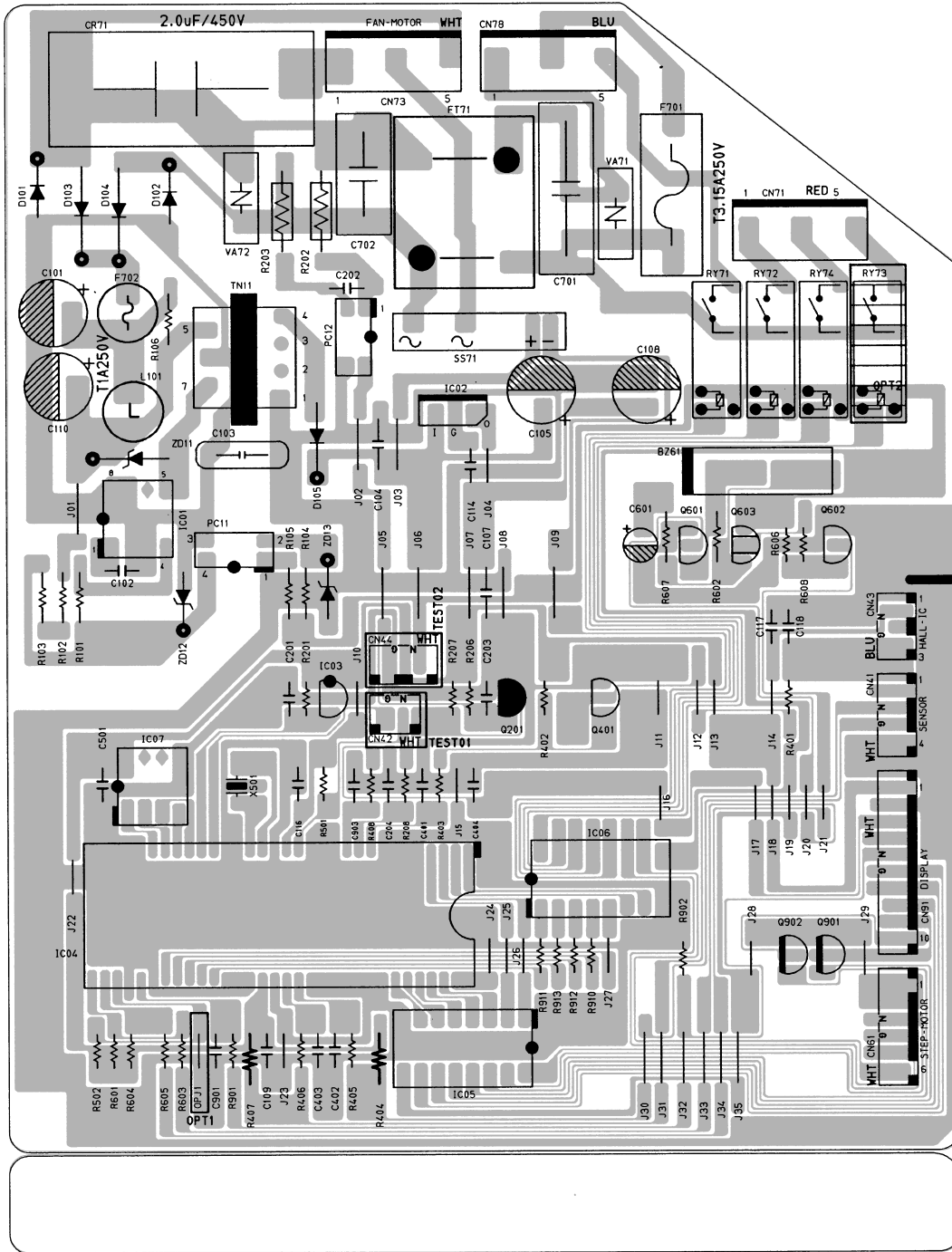


8. PCB Diagrams

8-1 Main PCB

8-1-1 Indoor Unit (PD-SH30ZC-00/PD-SH30ZC-02)



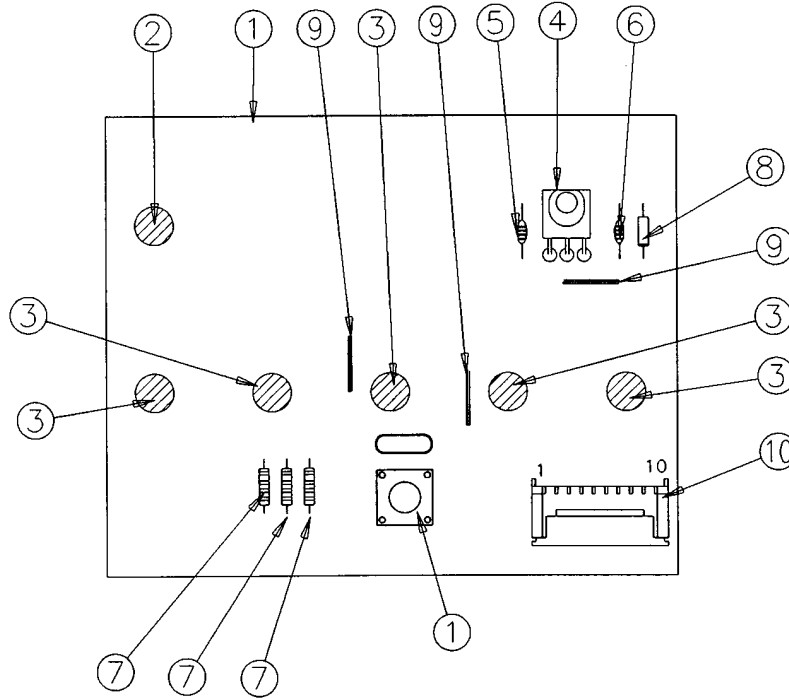
■ Parts List

No	Design-Location	Description	Specification	Q'TY
1	C103	C-CERAMIC,DISC	2.2nF,20%,400V,Y5U,TP,12.	1
2	C702	C-FILM,MPPF	100nF,10%,275V,BK,18x6x12,15	1
3	CR71	C-FILM,MPPF	2000nF,+10-5%,450V,BK,38x18x	1
4	C701	C-FILM,MPEF	220NF,10%,275V,BK,26.5X8.5X1	1
5	RY71,72,73,74	RELAY-MINIATURE	12VDC,200MW,3000MA,1FORM	4
6	SS71	SSR	12Vdc,-,2A,1mS,1mS	1
7	IC04	IC MICOM	S3C8469(SDIP)	1
8	IC02	IC-VOLT REGU	KA7805A,TO-220AB,1A,0/125C,	1
9	TN11	TRANS	2UEW0.30/2UEW0.45,1.5KV,1KHz,-,7Pi	1
10	FT71	CHOKE-COIL	LSA-05230P,AC250V,2A,30.5x22x3	1
11	BZ61	BUZZER	CBE2220BA,STICK,-,-,-,-,-,-,-	1
12	F701	FUSE	FST,250V,3.15A,20MM,VDE,50T-03	1
13	F701	HOLDER-FUSE	FH-51H,7.5A,-,-,-,-,-	1
14	D101,102,103,104	DIODE-RECTIFIER	1N4007,1000V,1A,DO-41,TP	4
15	D105	DIODE-RECTIFIER	UG2B,100V,2A,DO-204AC,TP	1
16	ZD12	DIODE-ZENER	DIODE-ZENER;MTZ3.6A,3.6V,3.455-3.695V,50	1
17	ZD13	DIODE-ZENER	DIODE-ZENER;MTZJ11B,11V,10.5-11.05V,500m	1
18	ZD11	DIODE-TVS	DIODE-TVS;ST02D-200,185/200/215V,200W,DO	1
19	Q603	TR-SMALL SIGNAL	TR-SMALL SIGNAL;KSA708-Y,PNP,800mW,TO-92	1
20	Q401,601,602	TR-SMALL SIGNAL	TR-SMALL SIGNAL;KSC945,NPN,250mW,TO-92,T	3
21	Q901,902	TR-DIGITAL	TR-DIGITAL;KSR2002,PNP,300MW,10K/10K,TO-	2
22	Q201	TR-DIGITAL	TR-DIGITAL;KSR1002,NPN,300MW,10K/10K,TO-	1
23	PC11	PHOTO-COUPLER	PHOTO-COUPLER;TR,50-600%,200mW,DIP-4,ST	1
24	PC12	PHOTO-COUPLER	PHOTO-COUPLER;TR,20-300%,200mW,DIP-4,ST	1
25	IC01	IC-PWM CONTROLLER	IC-PWM CONTROLLER;255,DIP,8P,300MIL,PLAS	1
26	VA71,72	VARISTOR	560V,2500A,17.5x7.5mm,TP	2
27	R405,406	R-CARBON	330ohm,5%,1/8W,AA,TP,1.8x3.2mm	2
28	R104,105	R-CARBON	220OHM,5%,1/4W,AA,TP,2.4X6.4MM	2
29	R101	R-CARBON	470OHM,5%,1/4W,AA,TP,2.4X6.4MM	1
30	R206,501,502,601,604,606,902	R-CARBON	10KOHM,5%,1/8W,AA,TP,1.8X3.2MM	7
31	R201,207,208,401,403,408,603,605,608	R-CARBON	1KOHM,5%,1/8W,AA,TP,1.8X3.2MM	9
32	R910,911,912,913	R-CARBON	3.3KOHM,5%,1/8W,AA,TP,1.8X3.2MM	4
33	R102,103	R-CARBON	330KOHM,5%,1/4W,AA,TP,2.4X6.4MM	2
34	R106,901	R-CARBON	4.7KOHM,5%,1/8W,AA,TP,1.8X3.2MM	2
35	R607	R-CARBON	560OHM,5%,1/4W,AA,TP,2.4X6.4MM	1
36	R402	R-CARBON	6.8KOHM,5%,1/8W,AA,TP,1.8X3.2MM	1
37	R602	R-CARBON(S)	1KOHM,5%,1/2W,AA,TP,2.4X6.4M	1
38	R202,203	R-METAL OXIDE(S)	51Kohm,5%,2W,AA,TP,4x12	2
39	R404,407	R-METAL	6.8Kohm,1%,1/8W,AA,TP,1.8x3.2m	2
40	C203,204,401	C-CERAMIC,MLC-AXIAL	10nF,+80-20%,25V,Y5V	3
41	C404,903	C-CERAMIC,MLC-AXIAL	1nF,10%,50V,Y5P,TP,1	2
42	C102,104,107,109,114,116,117,118,201, 202,402,403,501,901	C-CERAMIC,MLC-AXIAL	100nF,+80-20%,50V,Y5	14
43	C105	C-AL	1000uF,20%,25V,GP,TP,10x20,5	1
44	C601	C-AL	47uF,20%,50V,GP,TP,6.3x11,2.5	1
45	C108	C-AL	470uF,20%,25V,GP,TP,10x16,5	1
46	C101,110	C-AL	6.8uF,20%,450V,GP,TP,10x16mm,5	2
47	X501	RESONATOR-CERAMIC	4MHz,0.5%,TP,10.0x5.0x	1
48	F702	FUSE-RADIAL LEAD	250V,1A,TIME-LAG,-,8.5x	1
49	CN78	CONNECTOR-HEADER	1WALL,3P/5P,1R,3.96mm,S	1
50	CN71	CONNECTOR-HEADER	1WALL,3P/5P,1R,3.96mm,S	1
51	CN73	CONNECTOR-HEADER	1WALL,3P/5P,1R,3.96mm,S	1
52	CN91	CONNECTOR-HEADER	BOX,10P,1R,2.5mm,STRAIG	1
53	CN43	CONNECTOR-HEADER	BOX,3P,1R,2.5mm,STRAIGH	1
54	CN41	CONNECTOR-HEADER	BOX,4P,1R,2.5mm,STRAIGH	1
55	CN61	CONNECTOR-HEADER	BOX,6P,1R,2.5mm,STRAIGH	1
56	IC07	IC-MASK ROM	93LC56B,8BIT,-,DIP,8P,-,-,-	1
57	IC03	IC-RESET	KA7533,DIP,-,-,-,-,-	1
58	IC06	IC-DRIVE	KID65003AP,DIP,16P,STICK,TR-AR	2
59	L101	COIL CHOKE	5.0mH,-,8.0*11.0,-,-,PE-M10	1
60		WIRE-SO COPPER	PI0.6,SN,T,52MM,TAPING_WI	35
61		PCB-MAIN	PD-SH30ZC-00,FR-1,-,-,T1.6,W197	1

8-2 ASS'Y DISPLAY & Module

8-2-1 ALL Model EXCEPT *****C*****

•ASS'Y DISPLAY & MODULE PCB : DB93-00311C

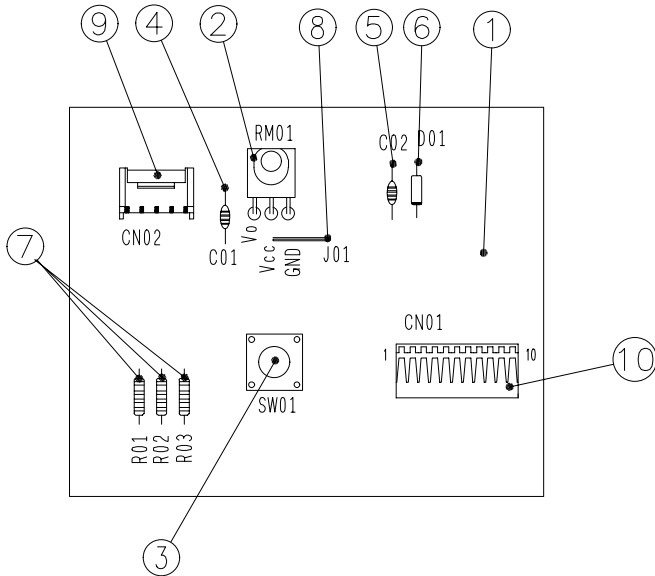


■ Parts List

NO	Description	Specification	Q'TY
1	PCB-DISPLAY	FR-1 T1.6	1
2	LED-LAMP	SY5511(YEL)	1
3	LED-LAMP	S05511(ORG)	5
4	MODULE REMCOON	FRB-4021H6	1
5	C-CERAMIC	CA 0A 50V 102Z	1
6	C-CERAMIC	CA 0A 50V 104Z	1
7	R-CARBON	RD 1/4 TP 471-J	3
8	DIODE SWITCHING	1N4148	1
9	JUMP-WIRE	10mm	3
10	CONNECTOR WAFER	SMAW200-10P	1
11	COVER DISPLAY UP	ABS BLK	1

8-2-2 Model : *****C*****

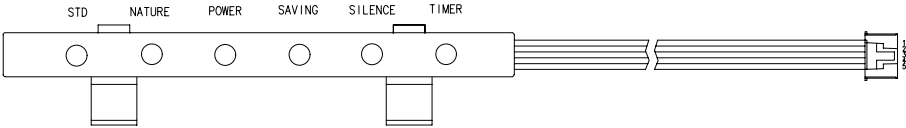
•ASS'Y MODULE PCB : DB93-00926A



■ Parts List

NO	Description	Specification	Q'TY
1	PCB-DISPLAY	FR-1 T1.6	1
2	MODULE REMCOON	FRB-4021H6	1
3	TACT SWITCH	KPT-1105A	1
4	C-CERAMIC	CA 0A 50V 102Z	1
5	C-CERAMIC	CA 0A 50V 104Z	1
6	DIODE SWITCHING	1N4148	1
7	R-CARBON	1/4W, TP, 471-J	3
8	JUMP-WIRE	10mm	1
9	CONNECTOR WAFER	SMAW200-5P(WHT)	1
10	CONNECTOR WAFER	SMAW200-10P(WHT)	1

•ASS'Y CENTER DISPLALY: DB93-00860A



MEMO