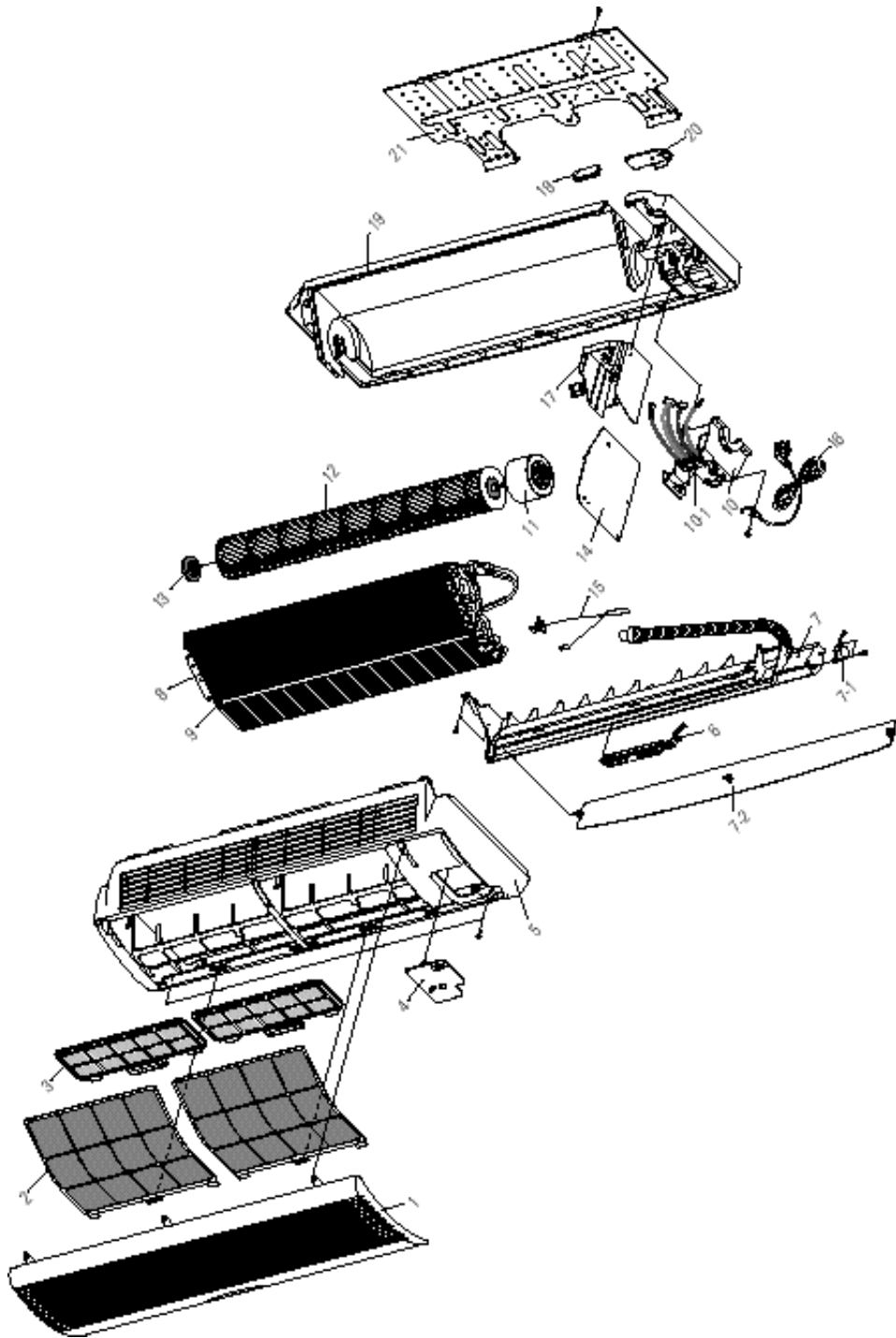

6. Exploded Views and Parts List

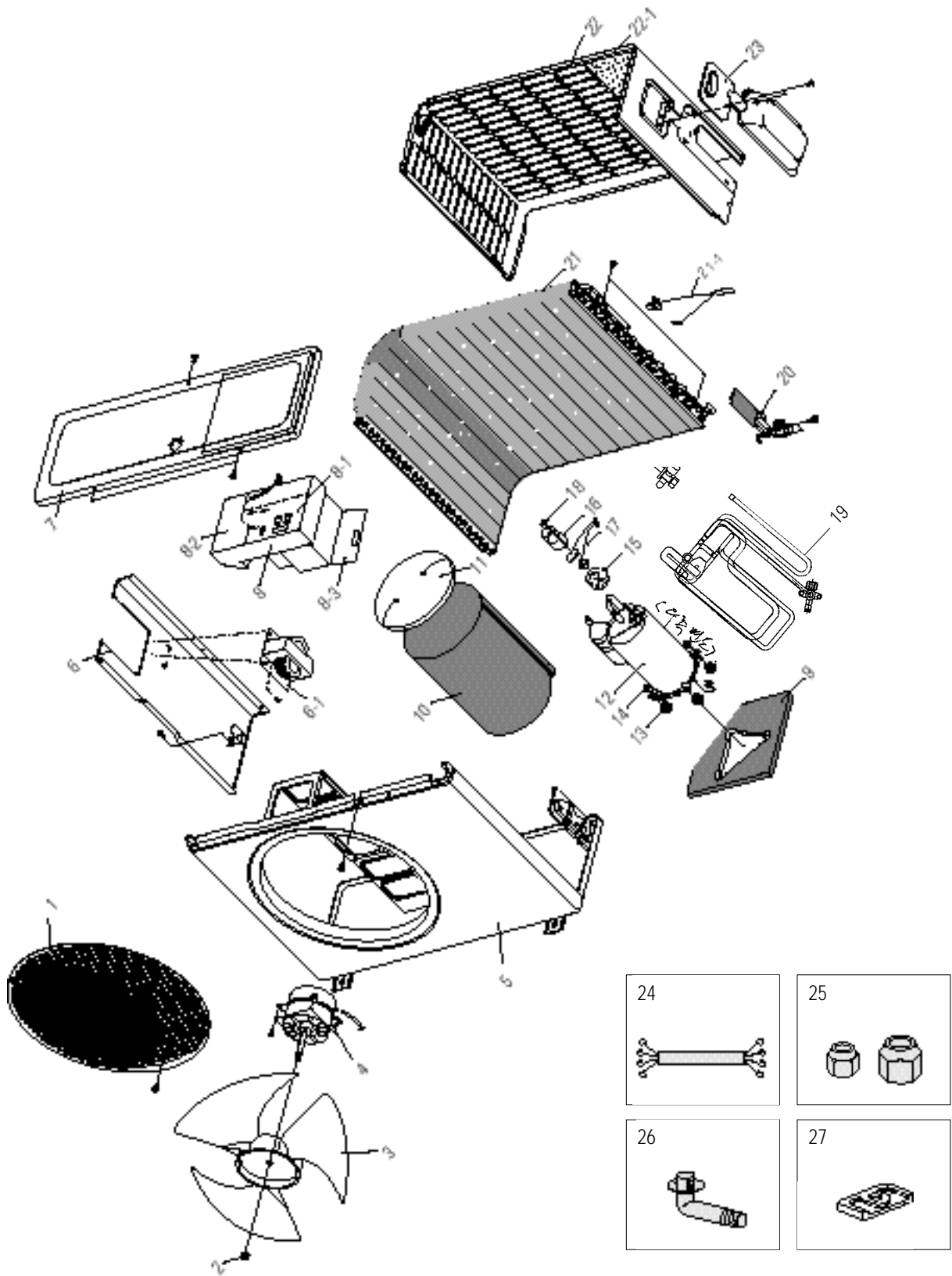
6-1 Indoor Unit



■ Parts List

No	CODE NO	Description	Specification	Q'TY		Remark
				AQV12F2VE	AQV09F2VE	
1	DB64-10179A	GRILLE AIR INLET	ABS	1	1	
2	DB63-30131A	GUARD-AIR FILTER	PP	2	2	
3	DB74-10091A	ASS'Y-FILTER	CLEANER/CARBON	(1)	(1)	OPTION
4	DB63-10427B	COVER-TERMINAL	HIPS	1	1	
5	DB92-00012A	ASS'Y-FRONT PANEL	ABS	1	-	
	-	ASS'Y-FRONT PANEL	ABS	-	1	
6	DB93-00021A	ASS'Y-Display	ASS'Y	1	1	
7	DB94-10088K	ASS'Y-TRAY DRAIN	ASS'Y	1	1	
7-1	DB95-20138A	MOTOR-STEPPING	DC12V, 600gr	1	1	⚠
7-2	DB66-30153A	BLADE-H	HIPS	1	1	
8	DB96-00017A	ASS'Y-EVAPORATOR	ASS'Y	1	1	
9	DB67-30058C	SPACER-EVAP	PVC	1	1	
10	DB61-00023A	ASS'Y-HOLDER MOTOR	ASS'Y	1	1	
10-1	DB65-00008A	TERMIANL-BLOCK	25A, 300V	1	1	⚠
11	DB31-10078H	MOTOR-FAN IN	AMPFS-040WTVB	1	1	
12	DB94-30141A	ASS'Y-C-F-FAN	ø95 x 619mm	1	1	
13	DB94-40017A	ASS'Y-BEARING	ASS'Y	1	1	⚠
14	DB93-10593A	ASS'Y-MAIN PCB	ASS'Y	1	-	⚠
	-	ASS'Y-MAIN PCB	ASS'Y	-	1	⚠
15	DB32-10008D	ASS'Y-THERMISTOR	ASS'Y	1	1	⚠
16	DB39-10062Y	ASS'Y-POWER CORD	12A, 250V	1	1	⚠
17	DB61-10136A	CASE-CONTROL	ABS	1	1	
18	DB61-60093A	BUSH-BODY	HIPS	1	1	
19	DB94-20030D	ASS'Y-BACK BODY	HIPS	1	1	
20	DB61-40247A	HOLDER-PIPE	HIPS	1	1	
21	DB70-10618A	PLATE-HANGER	SGCC-M	1	1	

6-2 Outdoor Unit

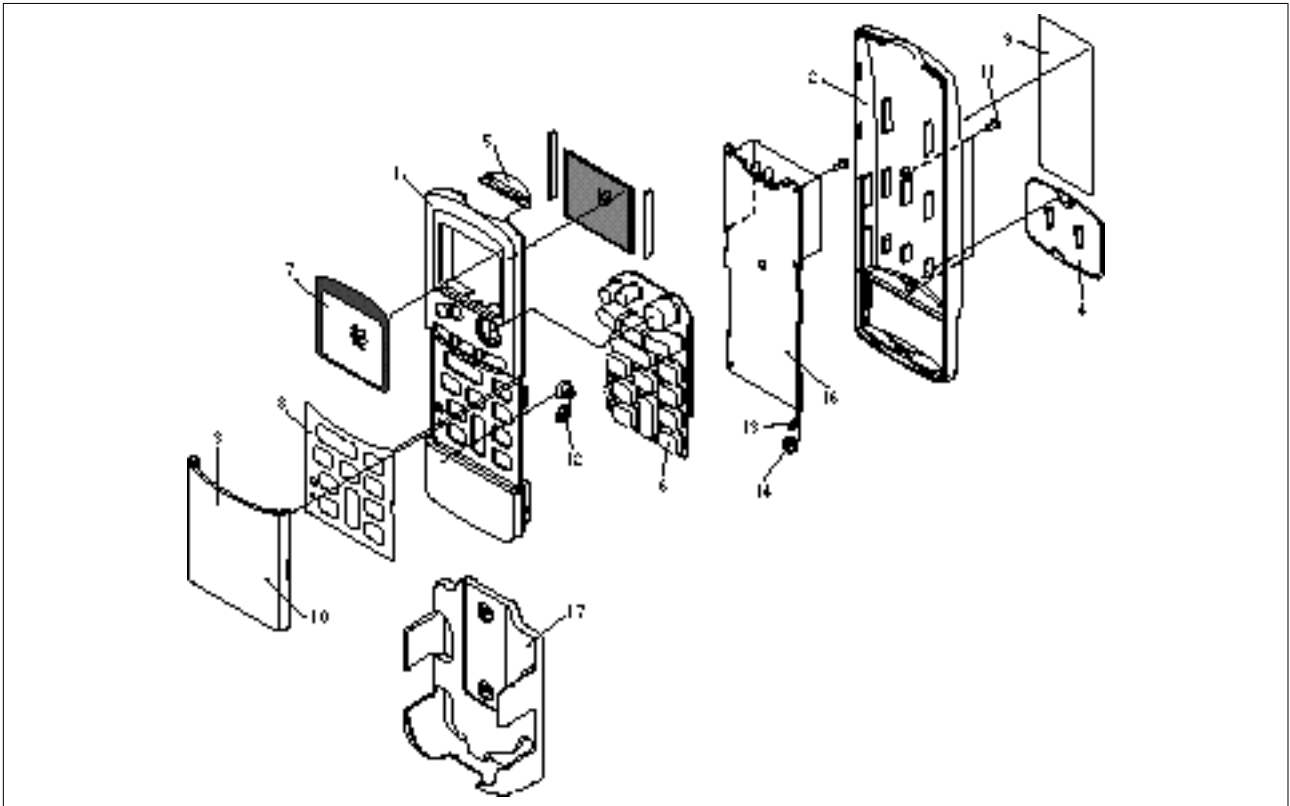


■ Parts List

No	CODE NO	Description	Specification	Q'TY		Remark
				UQV12A0TE	UQV09A0TE	
1	DB63-30137A	GUARD-FAN	PC/ABS	1	1	
2	DB60-30004A	NUT-FLANGE	2C SM20C M6 NTR	1	1	
3	DB67-50063A	PROPELLER-FAN	AS+G/F, Ø405	1	1	
4	DB31-10058E	MOTOR-FAN OUT	AMASS-020WTVB	1	1	⚠
5	DB90-50132C	ASS'Y-FRAME	ASS'Y	1	-	
	-	ASS'Y-FRAME	ASS'Y	-	1	
6	DB94-00001A	ASS'Y-PARTITION	ASS'Y	1	1	
6-1	DB27-10037A	REACTOR	12A, 21mH	1	1	⚠
7	DB64-60137B	CABI-UPPER	SECC-P	1	1	
8	DB93-00022A	ASS'Y-CONTROL OUT	ASS'Y	1	1	
8-1	DB93-10604B	ASS'Y-MAIN PCB-OUT	ASS'Y	1	-	⚠
	DB93-10604A	ASS'Y-MAIN PCB-OUT	ASS'Y	-	1	
8-2	DB61-10186A	CASE-CONTROL UP	PP	1	1	
8-3	DB61-10181A	CASE-CONTROL OUT	PP	1	1	
9	DB72-50574B	CLOTH-COMP BOTTOM	FELT	1	1	
10	DB72-50571A	CLOTH-COMP SIDE	FELT	1	-	
	-	CLOTH-COMP SIDE	FELT	-	1	
11	DB72-50567A	CLOTH-COMP UPPER	FELT	1	1	
12	DB95-10248A	COMPRESSOR	48V135RV1E4	1	-	⚠
	-	COMPRESSOR		-	-	
13	DB73-10004A	GROMMET-ISOLATOR	EPDM	3	3	
14	DB60-30029A	NUT-WASHER	HEX 2C MB ZPC	3	3	
15	DB63-20003A	GASKET	EPDM	1	1	
16	DB63-10034A	COVER-TERMINAL	NORYL	1	1	
17	DB32-10043B	THERMISTOR-OLP	204CT	1	1	⚠
18	DB60-30018A	NUT-FLANGE	M5, SM20C	1	1	
19	DB99-10144A	ASS'Y-4WAY VALVE	25Kg/cm ² G	1	-	
	-	ASS'Y-4WAY VALVE	25Kg/cm ² G	-	1	
20	DB99-10156A	ASS'Y-CHECK VALVE	ASS'Y	1	-	
	-	ASS'Y-CHECK VALVE	ASS'Y	-	1	
21	DB75-30104A	ASS'Y-CONDENSER	ASS'Y	1	-	
	-	ASS'Y-CONDENSER	ASS'Y	-	1	
21-1	DB32-10019C	THERMISTOR-OUT	ASS'Y	1	1	
22	DB64-60136B	CABI-SIDE	SECC-P	1	1	
22-1	DB72-00032A	INSUL-CABI SIDE	EVA+PO-PE	1	1	
23	DB67-90025A	HANDLE-CABI RH	ABS	1	1	
24	DB39-00031A	CABLE-CONNECTOR WIRE	12A, 4C	1	1	
25	DB99-90033C	ASS'Y-FLARE NUT	1/4" + 2/1"	1	-	
	DB99-90033D	ASS'Y-FLARE NUT	1/4" + 3/8"	-	1	
26	DB67-20008A	DRAIN-PLUG	PE	1	1	
27	DB73-20026B	RUBBER-LEG	NBR	4	4	

6-3 Remote Control & PCB Box

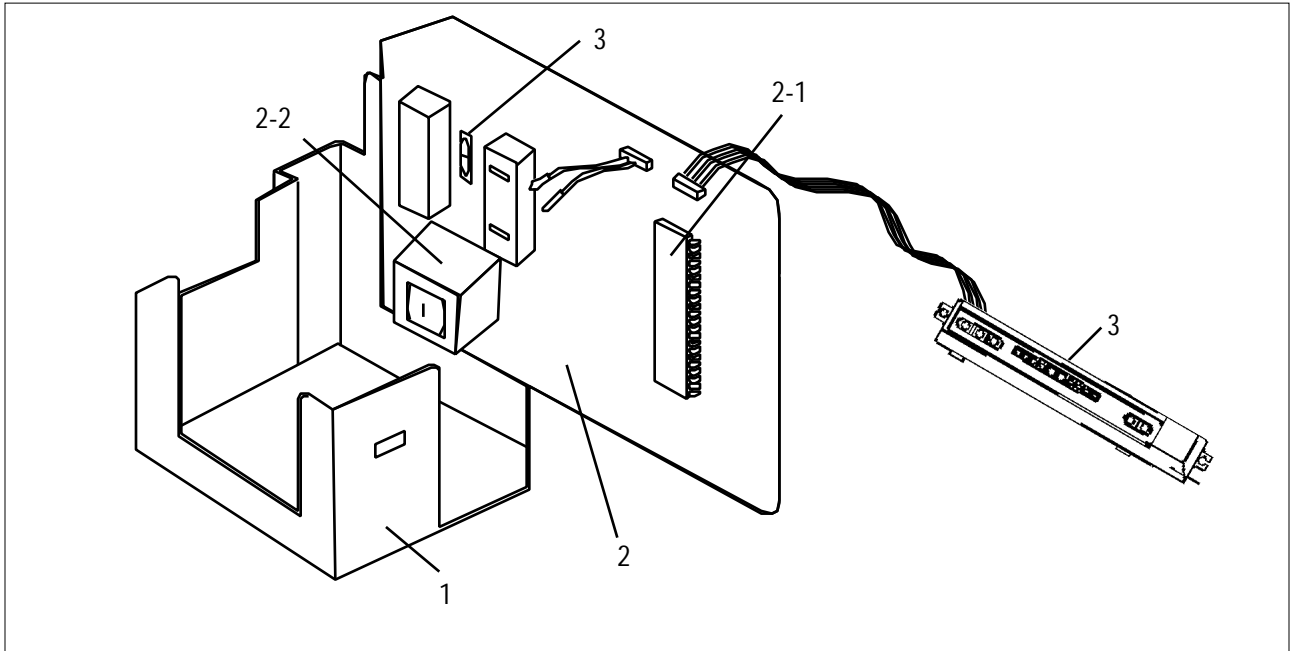
6-3-1 Remote Control (DB93-30071H)



■ Parts List

No	CODE NO	Description	Specification	Q'TY	Remark
1	DB61-10144A	CASE UP	ABS	1	
2	DB61-10145A	CASE LOW	ABS	1	
3	DB64-20054A	DOOR REMOCON	ABS	1	
4	DB63-10477A	COVER BATTERY	ABS	1	
5	DB74-10084A	FILTER REMOCON	PC	1	
6	DB73-20110C	RUBBER REMOCON	SILICON	1	
7	DB64-40167A	INLAY LCD	PC	1	
8	DB64-40166B	INLAY REMOCON	PC	1	
9	DB68-10789B	LABEL REMOCON	ART 90	1	
10	DB68-10790A	LABEL DOOR	ART 90	1	
11	PH-M2	SCREW TAP	PH-M2	6	
12	DB67-60061A	SPRING BATTERY	SUS 304	1	
13	DB67-60062A	SPRING BATTERY	SUS 304	1	
14	DB67-60063A	SPRING BATTERY	SUS 304	1	
15	90 X 250	PE BAG	90 x 250	1	
16	DB93-40179C	ASS'Y PCB REMOCON		1	
17	DB61-40243A	HOLDER REMOCON	ABS	1	

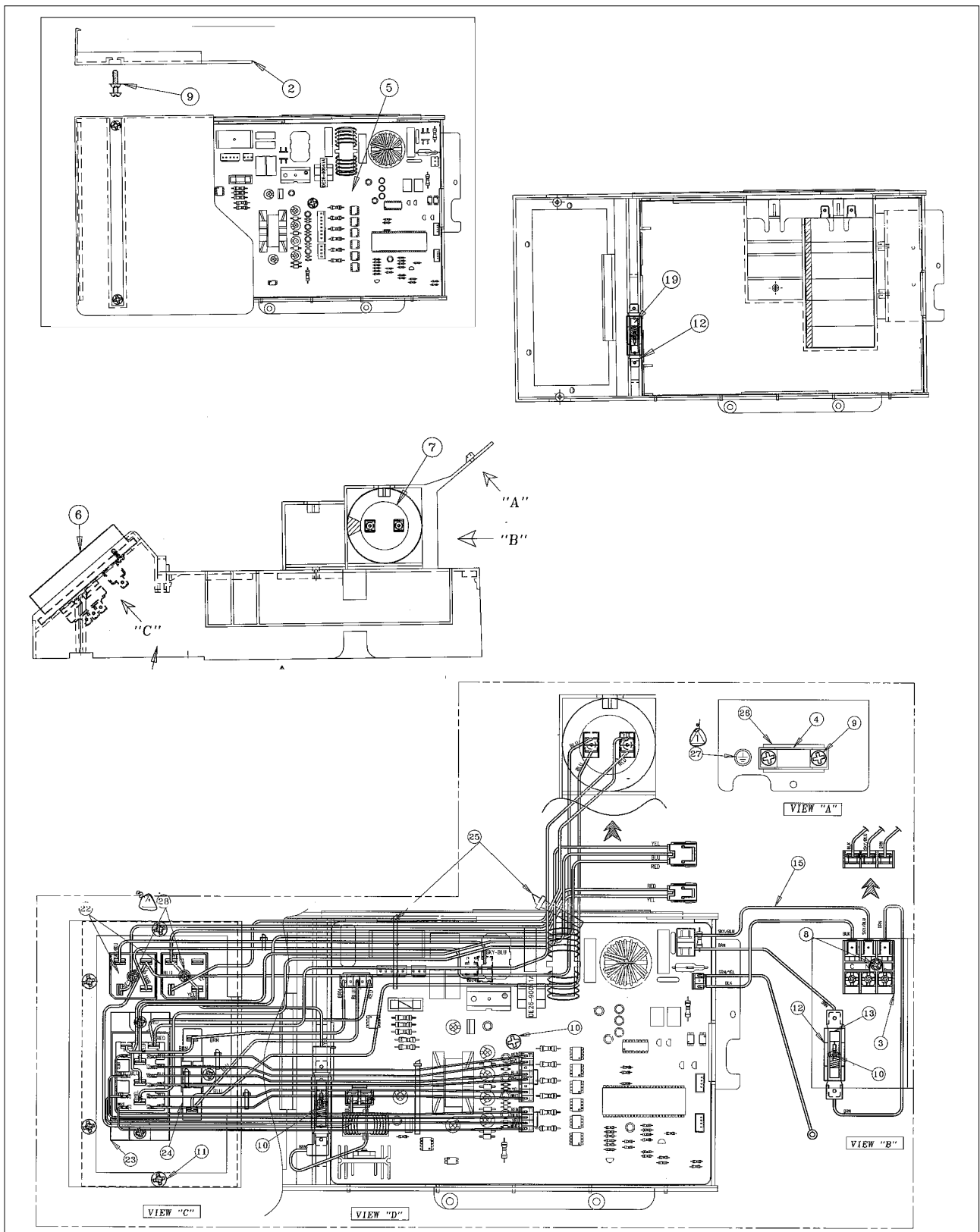
6-3-2 PCB Box (Indoor unit)



■ Parts List

No	CODE NO	Description	Specification	Q'TY		Remark
				AQV12F2VE	AQV09F2VE	
1	DB61-10136A	CASE-CONTROL		1	1	
2	DB93-10593A	Ass'y main PCB	-	1	-	
2-1	DB09-10188A	Micom	MB89635R	1	1	
2-2	DE26-20154A	Trans-power	AC230V DC17V 300mA	1	1	
2-3	DE32-10037A	Fuse	250V 3.15A	1	1	
3	DB93-00021A	Ass'y-display	-	1	1	

6-3-3 Ass'y control (Outdoor unit) (DB93-00022A : UQV12A0TE)



■ Parts List

No	CODE NO	Description	Specification	Q'TY	Remark
1	DB61-10181A	CASE-CONTROL OUT	PP	1	
2	DB61-10186A	CASE-CONTROL UP	PP	1	
3	DB65-00003A	TERMINAL-BLOCK	3P, 34.4 X 35.6	1	
4	DB61-40249A	WIRE-HOLDER	ABC(BLK)	1	
5	DB93-10604B	ASS'Y-P.C.B.OUT	ASS'Y	1	
6	DB62-50015A	HEAT-SINK	AL(A60635), T25	1	
7	2401-003430	CAPACITOR	2200uF / 400V	1	
8	6002-001047	SCREW-TAPPING	PH, +, M4, L25, TAP	1	
9	6002-000527	SCREW-TAPPING	2S, 4 X 12, FE-FZY	4	
10	6002-000286	SCREW-TAPPING	PH, M4 X 12	2	
11	6001-000044	SCREW-MACHINE	TH, M4 X 16	7	
12	DB61-40239A	FUSE-HOLDER	FB-66, A TYPE	2	
13	3601-001159	FUSE	326020, 250V 20A(SLO-BLO)	1	
14	DB39-20545A	C/W ASS'Y	UL1015	1	
15	DB39-20544A	C/W OUTDOOR TB	UL1015	1	
16	DB39-20543A	C/W PTR DRIVE	UL1015	1	
17	DB39-20542A	C/W AC	UL1015	1	
19	3601-000438	FUSE	65TS-150-H, 250V, 15A	1	
20	DB39-00010A	C/W REACTOR	UL1015	1	
21	DB39-00009A	C/W COMP	UL1015	1	
22	DB47-90069A	DIODE-RECT	S25VB60, 600V	1	
23	DB47-90066A	PTR MODULE	6DI 20C-050	2	
24	2006-001013	R-CEMENT	20m , 20W	1	
25	DB65-10088B	CABLE-TIE	140mm, WHT	2	
26	DB73-20126B	RUBBER-CLAMP	NBR	1	
27	DB68-10700A	LABEL-EARTH	TETRON	1	
28	-	SCREW-MACHINE	TH, M4X20	2	