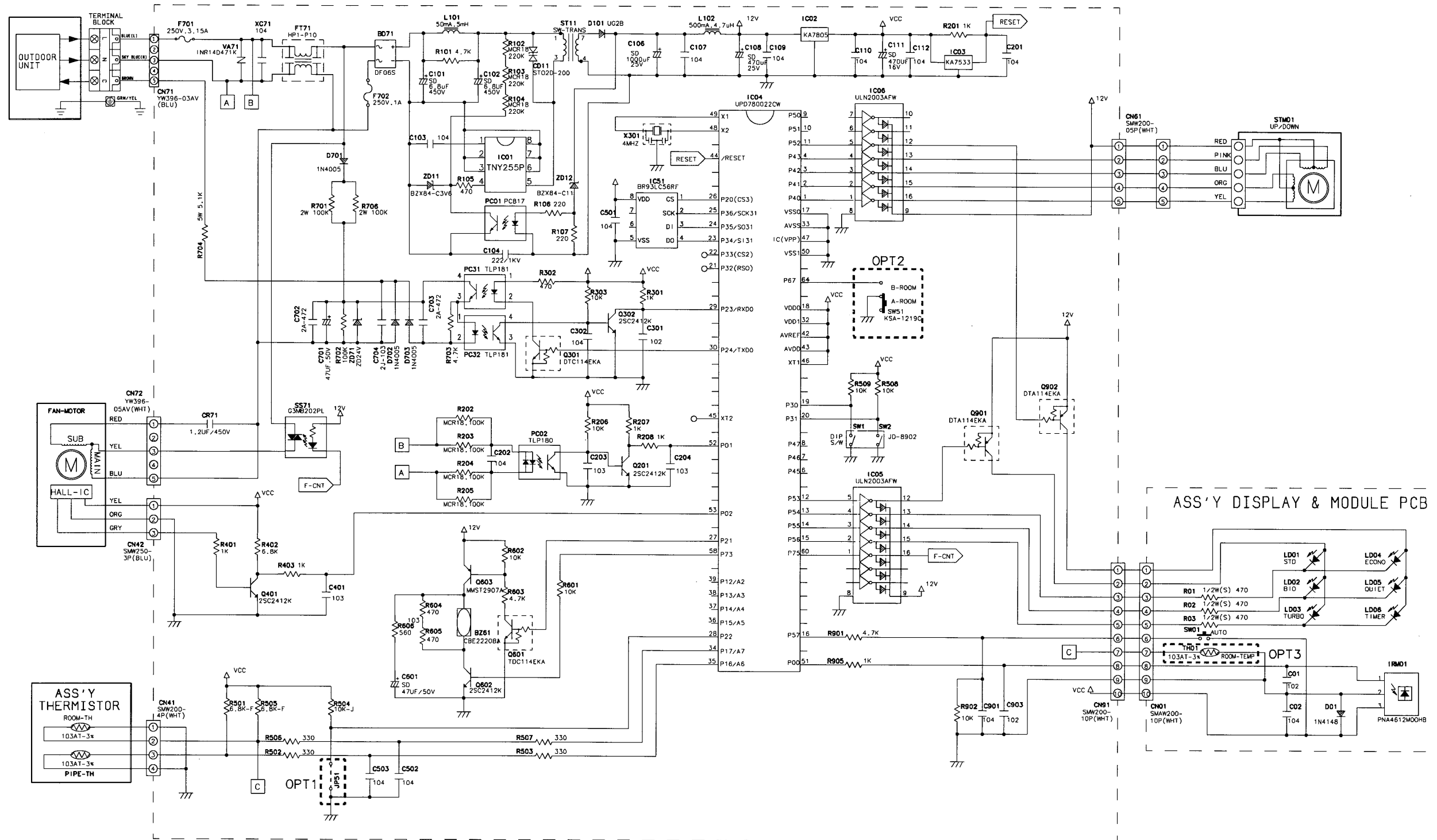
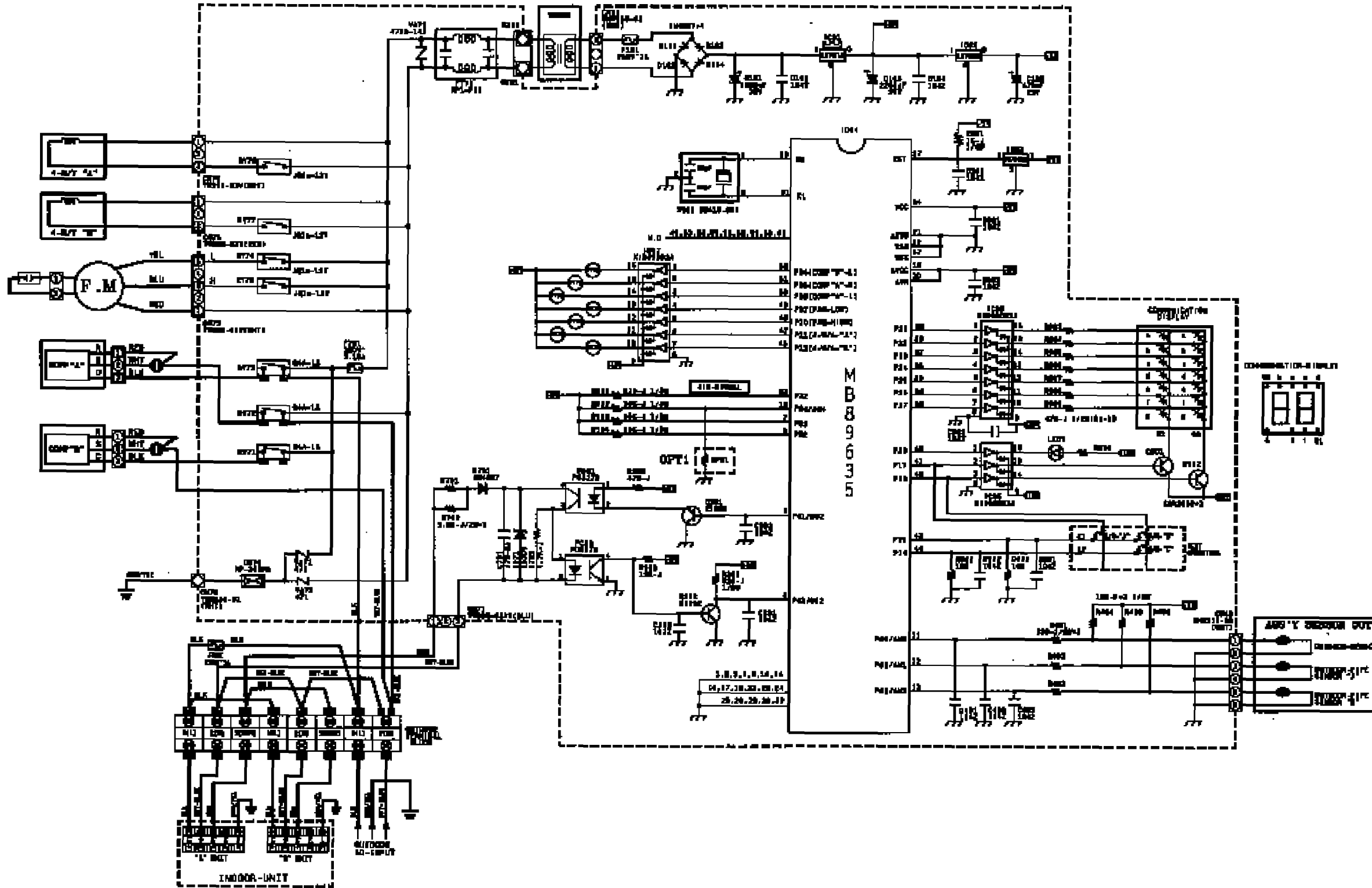


# 9. Schematic Diagrams

## 9-1 Indoor Unit (H/P All MODEL)



9-2 Outdoor Unit (UD18/19/ 24 B1(B2)E2)



### 9-3 Outdoor Unit(UD26B1(B2) E3)

