

# TOSHIBA

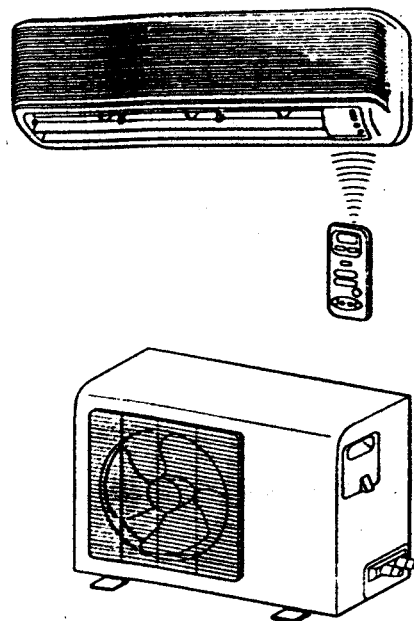
FILE NO. A03-9801  
SUPPLEMENT


## SERVICE MANUAL

# AIR-CONDITIONER

## SPLIT WALL TYPE

***RAS-10SK-E-1/RAS-10SA-E, RAS-10SA-E-1***  
***RAS-10SKX-1/RAS-10SAX, RAS-10SAX-1***



PRINTED IN JAPAN, Feb., 1998 

# CONTENTS

1. SPECIFICATIONS .....	4
3. WIRING DIAGRAM .....	8
9. TROUBLESHOOTING CHART .....	39
9-3-2. Power can not be Turned on after Replacing Indoor P.C. Board .....	39
9-3-3. Outdoor Unit does not Operate .....	39
11. CAUTIONS ON REPLACEMENT OF P.C. BOARD ASSEMBLY .....	52
12. EXPLODED VIEWS AND PARTS LIST .....	53
12-1. Indoor Unit (1) .....	53

This supplement are prepared for similar model RAS-10SK-E/RAS-10SKX.  
 Be sure to refer to the service manual shown in the table below for other informations.

MODEL NAME	SERVICE MANUAL FILE No.
RAS - 10SK - E / RAS - 10SA - E, RAS - 10SA - E - 1	A00 - 9708
RAS - 10SKX / RAS - 10SAX, RAS - 10SAX - 1	

## SUMMARY

- Model name of units are as follows :

NEW (additional)	: RAS - 10SK - E - 1 / RAS - 10SA - E, RAS - 10SA - E - 1  : RAS - 10SKX - 1 / RAS - 10SAX, RAS - 10SAX - 1
ORIGINAL	: RAS - 10SK - E / RAS - 10SA - E, RAS - 10SA - E - 1  : RAS - 10SKX / RAS - 10SAX, RAS - 10SAX - 1

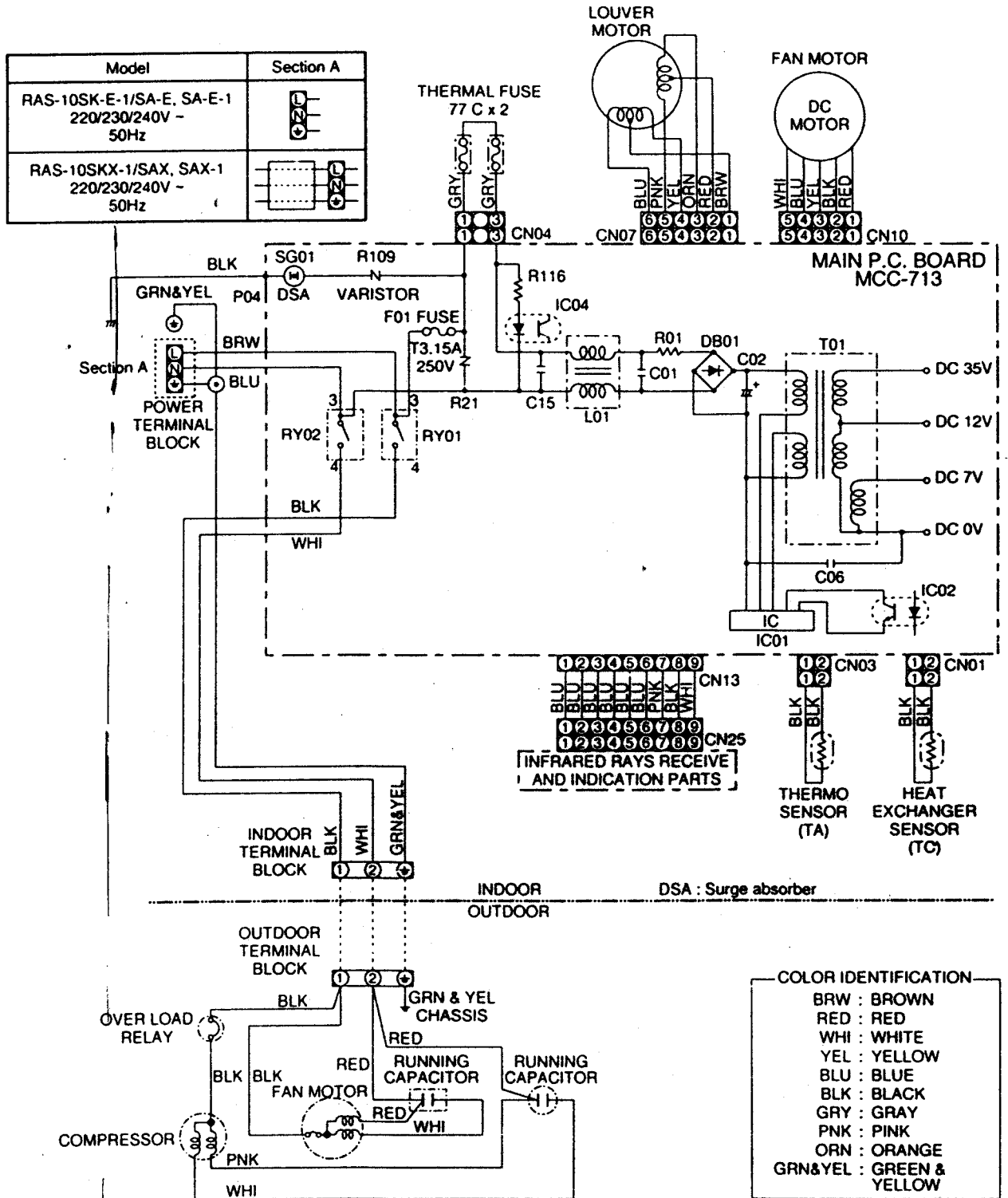
- Reference pages ; 6, 8, 9, 10, 23, 48, 50, 51

# 1. SPECIFICATIONS

Item		Model	RAS-10SK-E-1/10SA-E, 10SA-E-1		RAS-10SKX-1/ 10SAX,10SAX-1			
			Cooling					
Capacity	*1 kW		220V	230V	240V	220V	230V	240V
			2.65	2.65	2.70	2.70	2.70	2.70
Power source	Phase		Single					
	V		220/230/240					
	Hz		50					
Power consumption	kW		0.83/0.85/0.88					
Power factor	%		95/92/90					
Running current	A		220V	230V		240V		
	Indoor/Outdoor		0.15/3.82	0.15/3.87		0.15/3.92		
Starting current	A		16					
Moisture removal	lit/h		1.2					
Noise	Indoor (H/M/L)	dB	44/36/31					
	Outdoor (220/230/240V)	dB	44/45/45					
Refrigerant	Name of refrigerant		R-22					
	Rated volume	kg	0.73					
Refrigerant control			Capillary tube					
Interconnection pipe	Gas side size	mm	9.52					
	Connection type		Flare connection					
	Liquid side size	mm	6.35					
	Connection type		Flare connection					
	Maximum length (of one way)	m *2	10					
	Maximum height difference							
	Indoor unit	m	5					
Outdoor unit								
Condensate drain pipe	Outer diameter	mm	16					
<b>INDOOR UNIT</b>			<b>RAS-10SK-E-1</b>		<b>RAS-10SKX-1</b>			
Dimensions	Height	mm	265					
	Width	mm	790					
	Depth	mm	174					
Net weight	kg	8						
Evaporator type			Finned tube					
Indoor fan type			Cross flow fan					
Air volume	High fan	m <sup>3</sup> /h	650					
	Medium fan	m <sup>3</sup> /h	510					
	Low fan	m <sup>3</sup> /h	430					
Fan motor output	W	19						
Air filter			Polypropylene net filter (Washable)					
<b>OUTDOOR UNIT</b>			<b>RAS-10SA-E/RAS-10SA-E-1</b>		<b>RAS-10SAX/RAS-10SAX-1</b>			
Dimensions	Height	mm	530					
	Width	mm	770					
	Depth	mm	200					
Net weight	kg	29						
Condenser type			Finned tube					
Outdoor fan type			Propeller					
Airflow volume	m <sup>3</sup> /h		1600					
Fan motor output	W		18					
Compressor	Model		PH102T1-4C/2PS146D5AB02		PH102T1-4C/2PS146D5AB02			
	Output	W	750					
Safety device			Fuse, Overload relay					
Auto louver			Yes					
Usable outdoor temperature range	°C		21 - 43					

Specifications are subject to change without notice.

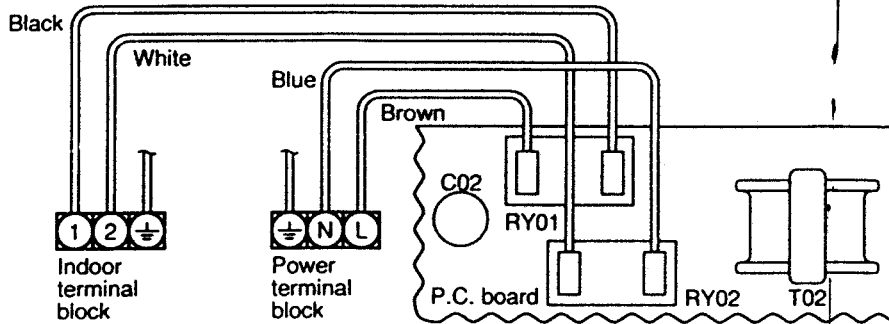
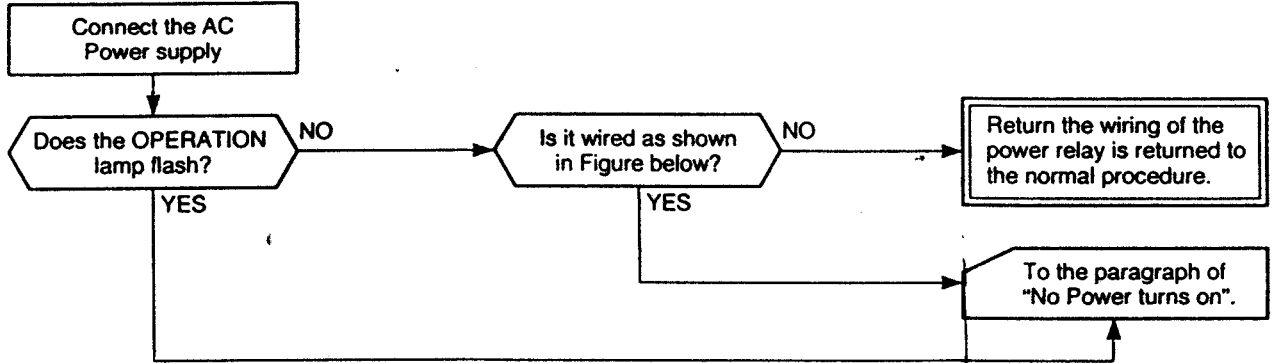
### 3. WIRING DIAGRAM



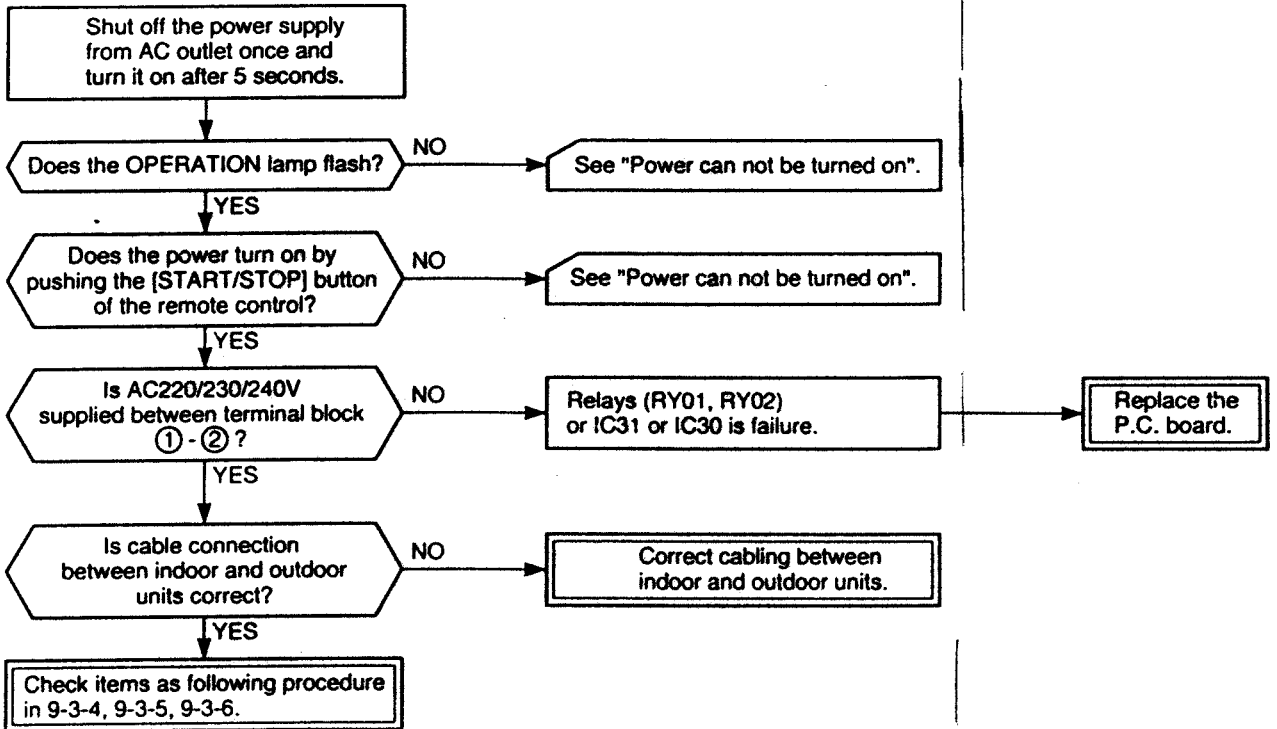
## 9. TROUBLESHOOTING CHART

### 9-3-2. Power can not be Turned on after Replacing Indoor P.C. Board

<Checking Procedure>

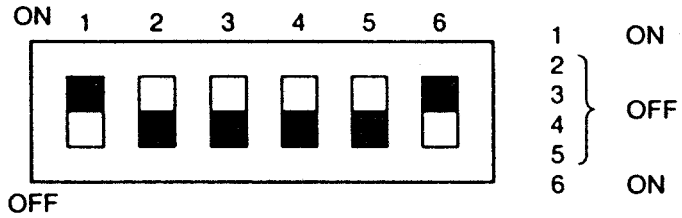


### 9-3-3. Outdoor Unit does not Operate

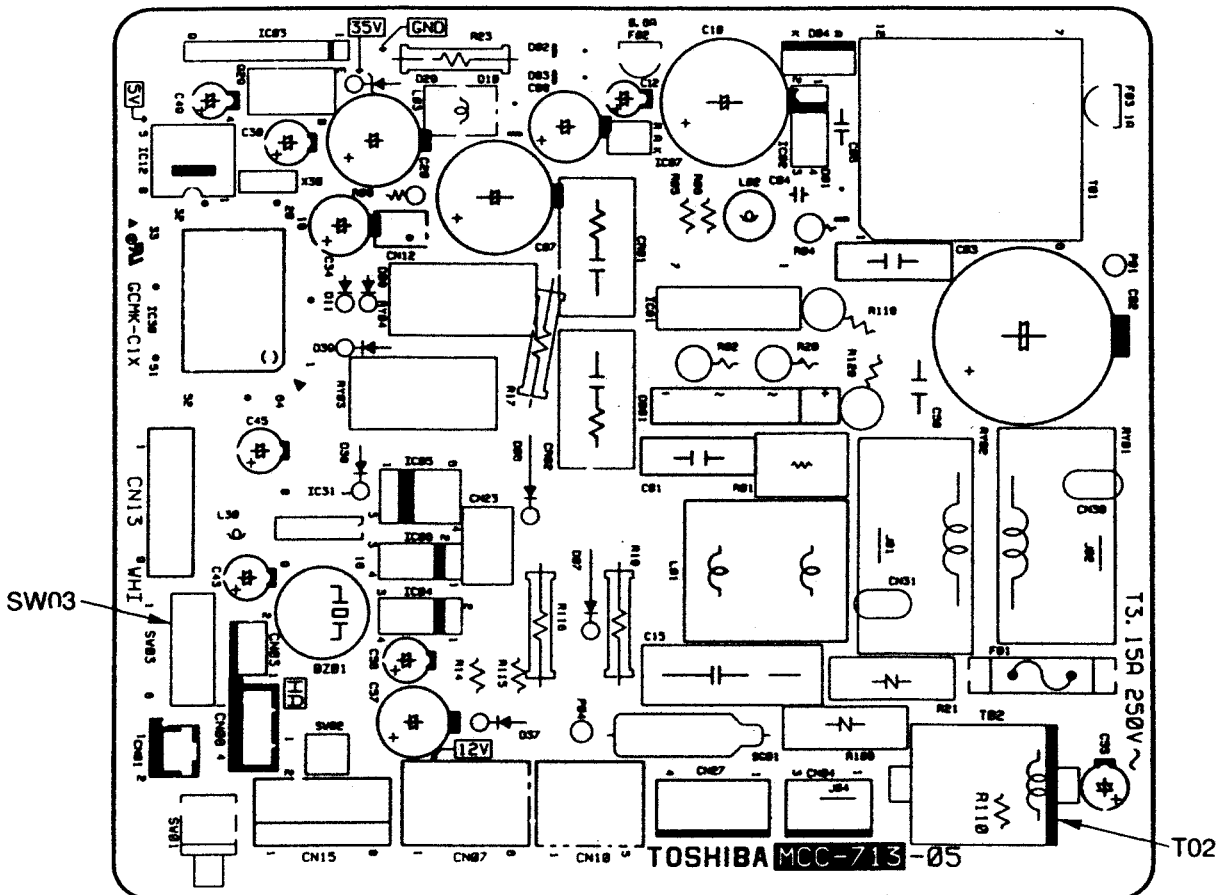
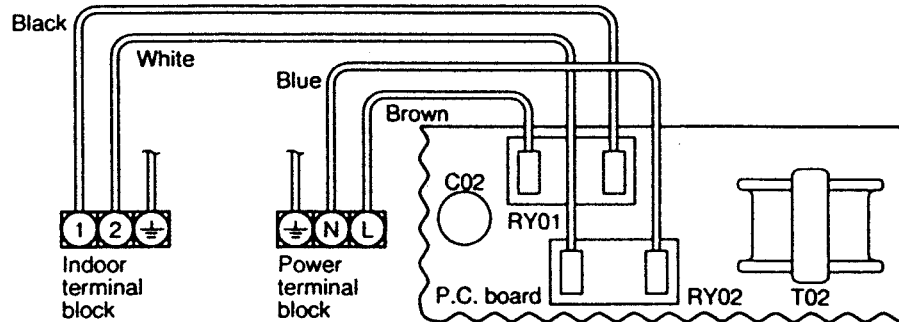


# 11. CAUTIONS ON REPLACEMENT OF P.C. BOARD ASSEMBLY

1. Set the switch (SW03) provided on the P.C. board as follows.

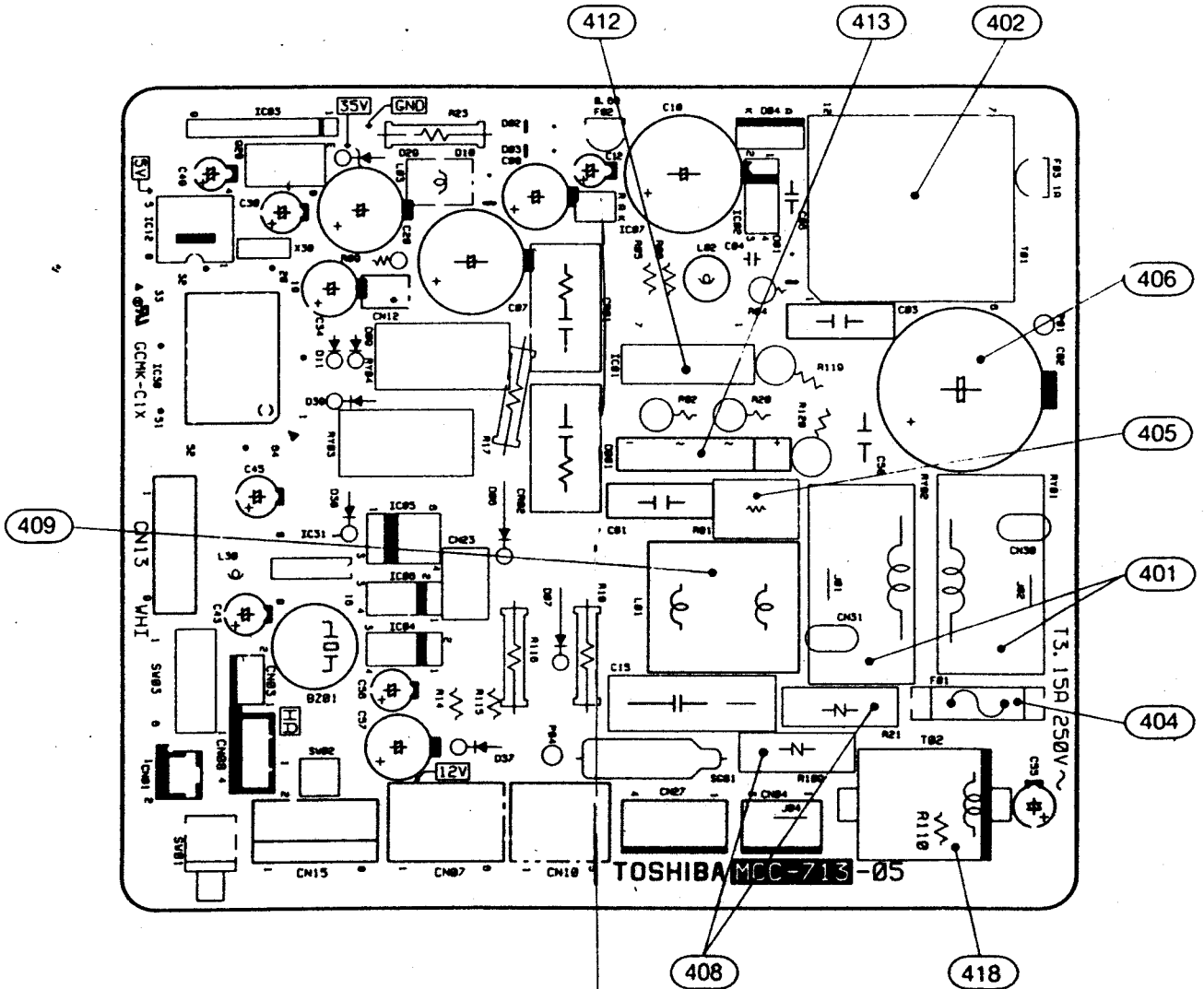


2. Don't through the black lead wire to the current trans. (CT. T02)



## 12. EXPLODED VIEWS AND PARTS LIST

### 12-1. Indoor Unit (1)



Location No.	Part No.	Description
401	43T60002	Base, Terminal 3P, AC 300V, 20A
402	43T69004	Sensor, Heat Exchanger 10k $\Omega$ , 25 $^{\circ}$ C
403	43T69005	Sensor, Thermostat 10k $\Omega$ , 25 $^{\circ}$ C
404	43T60004	Fuse, Temperature 77 $^{\circ}$ C

Location No.	Part No.	Description
405	43T69007	P.C. Board, WRS-LED MCC-635
406	43T69017	P.C. Board MCC-713
407	43T61001	Base, E-Parts ABS, Black, UL94-5V
408	43T62006	Base, Shield SGCC-Z08-LUB

**TOSHIBA CORPORATION**

1-1, SHIBAURA 1-CHOME, MINATO-KU, TOKYO, 105-01, JAPAN