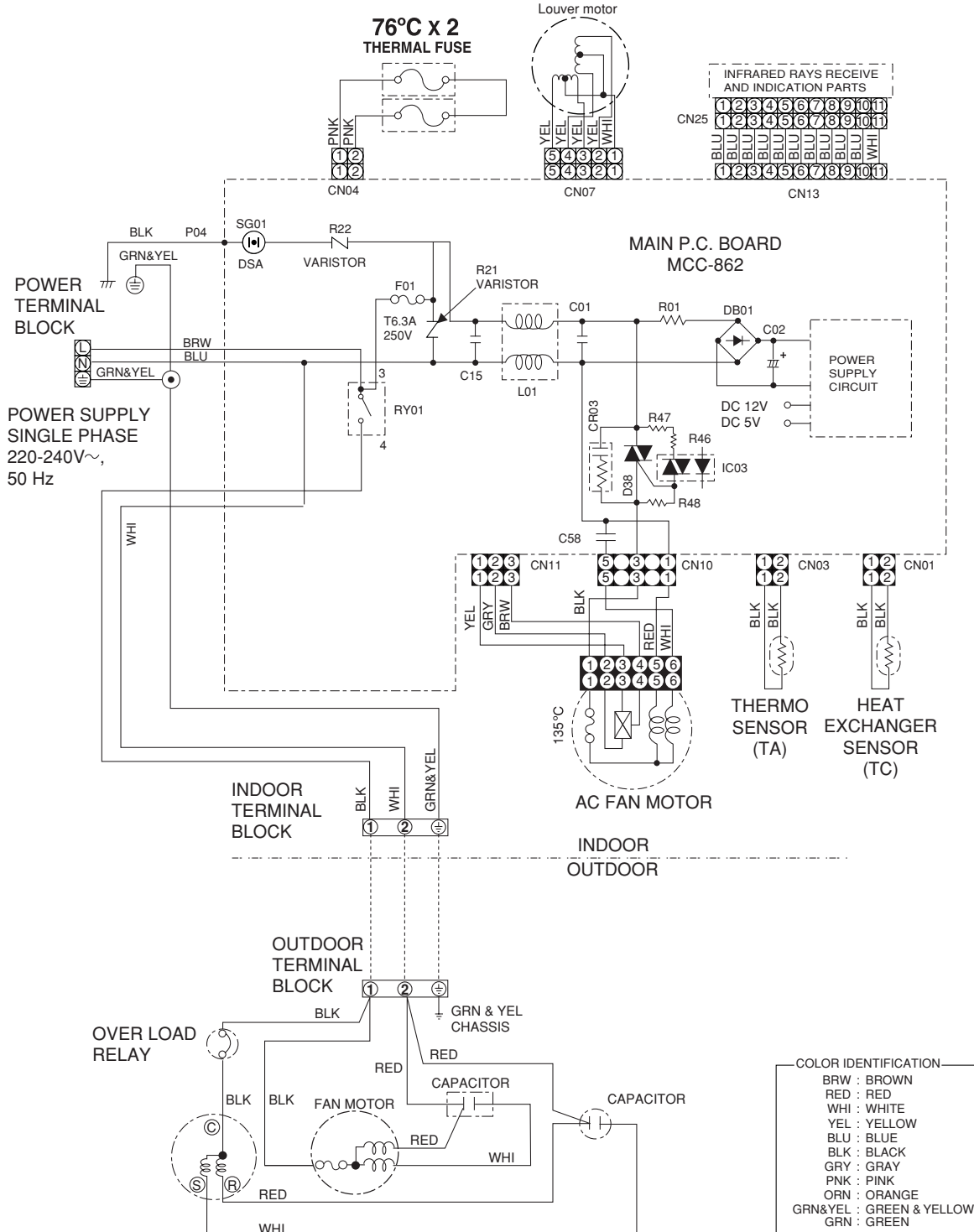


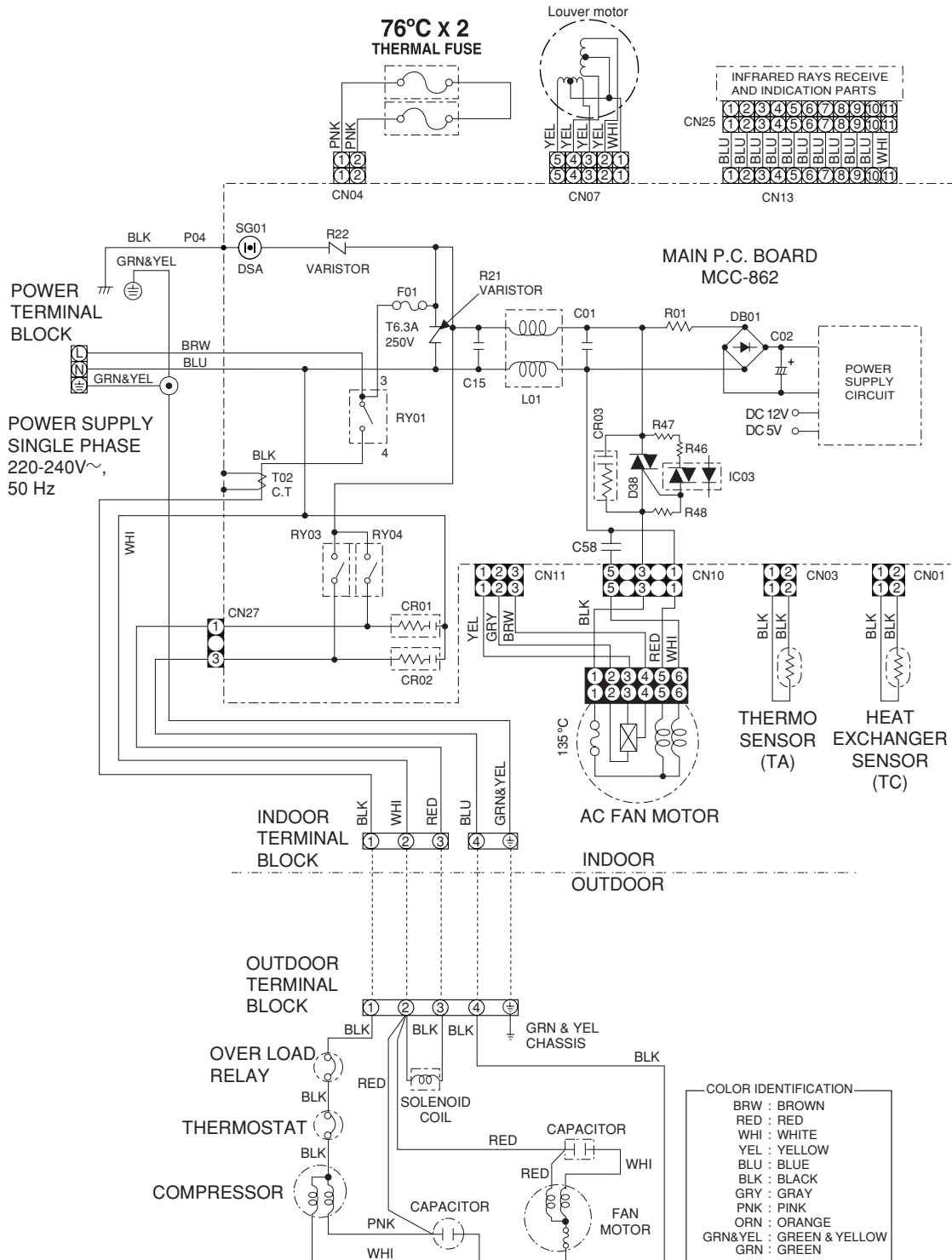
3. WIRING DIAGRAM

3-1. RAS-13UKP-HX / RAS-13UA-HX
 RAS-13UK-E / RAS-13UA-E
 RAS-07UK-E / RAS-07UA-E

RAS-10UKP-HX / RAS-10UA-HX
 RAS-10UK-E / RAS-10UA-E



3-2. RAS-13UKH-E / RAS-13UAH-E



**3-3. RAS-10UKH-E / RAS-10UAH-E
RAS-07UKH-E / RAS-07UAH-E**

