

Installation Instructions

Isolation Relay

KHAIR0101AAA

NOTE: Read the entire instruction manual before starting the installation.

INTRODUCTION

This instruction covers installation of isolation relay Part No. KHAIR0101AAA on split-system heat pumps. The device is designed to switch the low-ambient controller out of the outdoor fan circuit during the heating cycle.

SAFETY CONSIDERATIONS

Installation and servicing of air conditioning equipment can be hazardous due to system pressures and electrical components. Only trained personnel should install or service air conditioning equipment.

Untrained personnel can perform basic maintenance functions such as cleaning coils, or cleaning and replacing filters. All other operations should be performed by trained service personnel. When working on air conditioning equipment, observe precautions in the literature, tags, and labels attached to the unit.

Follow all safety codes. Wear safety glasses and work gloves. Use quenching cloth for brazing operations. Have fire extinguisher available.

DESCRIPTION AND USAGE

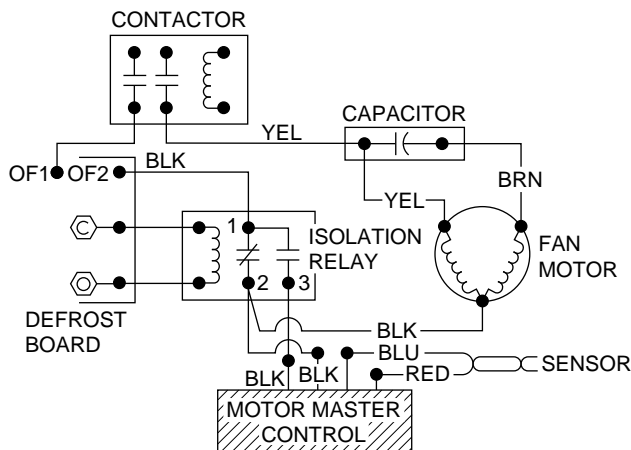
The kit is required for use on 208/230-v and 460-v heat pump systems. Included in the kit are the following items:

Isolation Relay HN61KK066	1
Installation Instructions	1

⚠ WARNING: Before beginning any installation or modification, be sure the main electrical disconnect switch is in the OFF position. Electrical shock can cause personal injury or death.

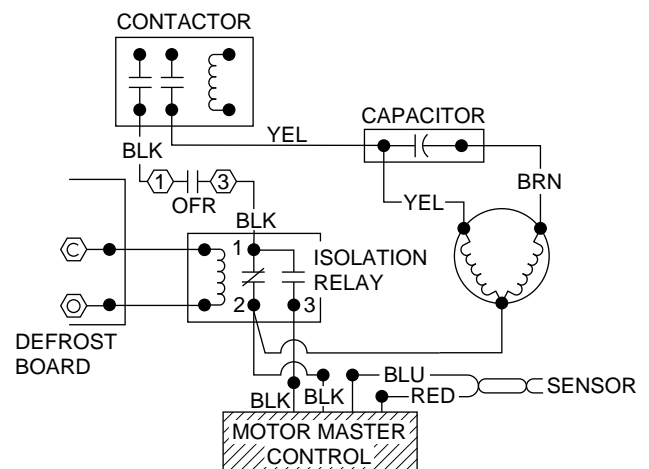
INSTALLATION

Mount isolation relay in unit control box and wire power and control circuits as shown in Fig. 1 or 2 depending on electrical application.



A93168

Fig. 1—208/230-v Wiring for 32LT Kits



A93156

Fig. 2—460-v Wiring for 32LT Kits

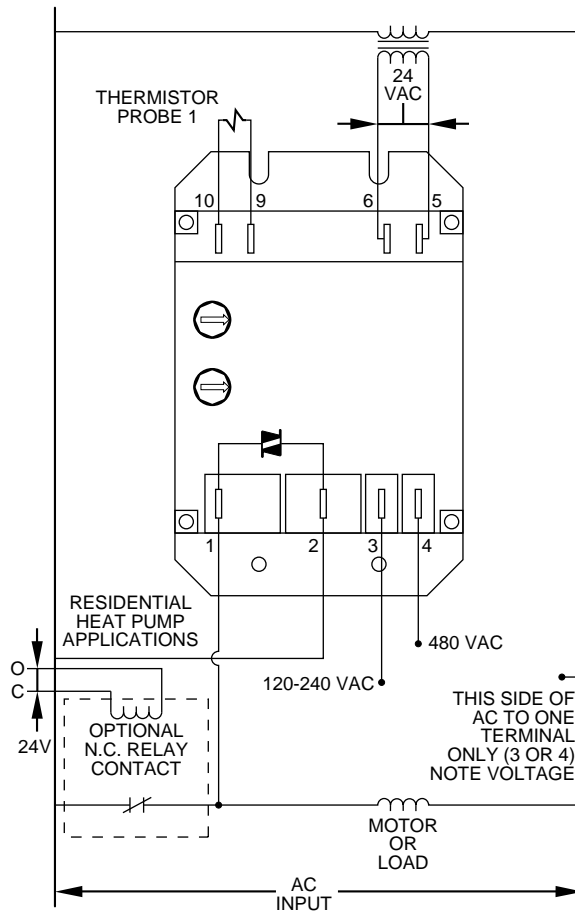


Fig. 3—Wiring for P251-0083 Kit

A93423