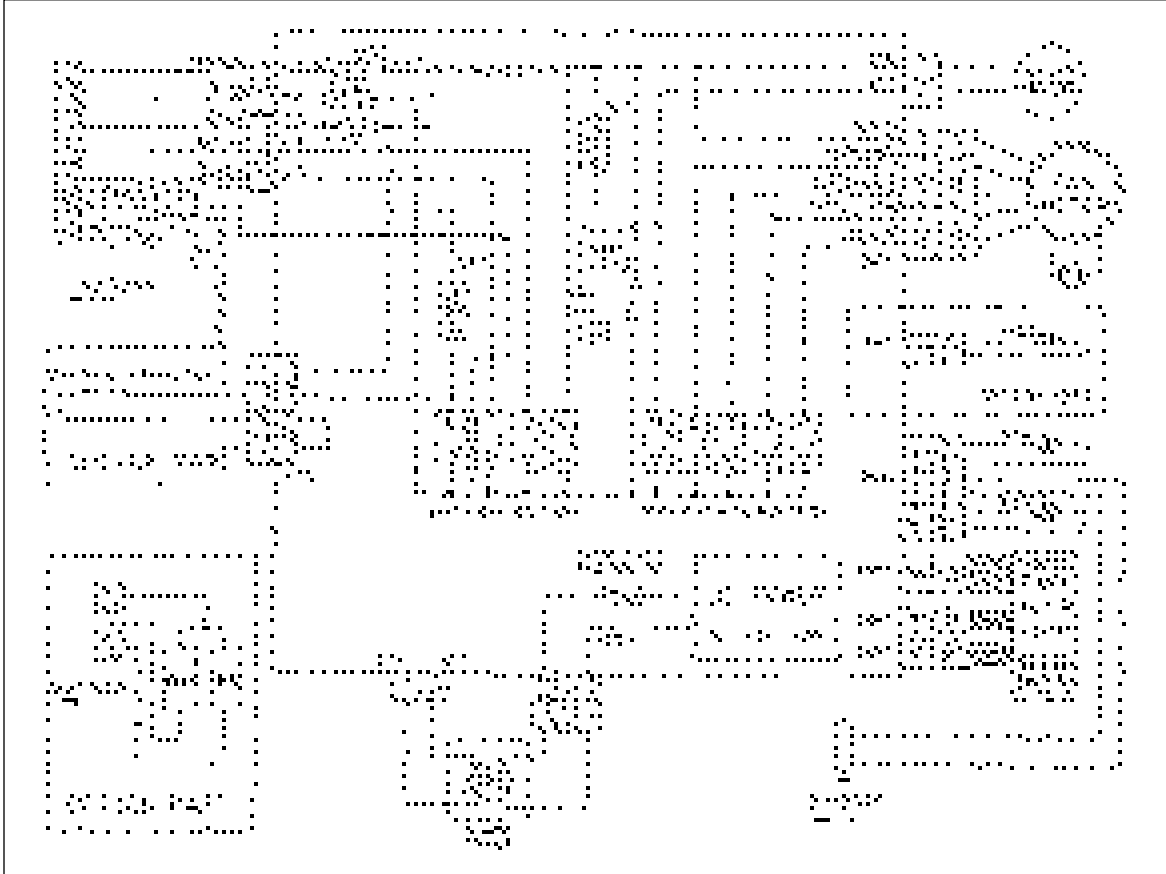


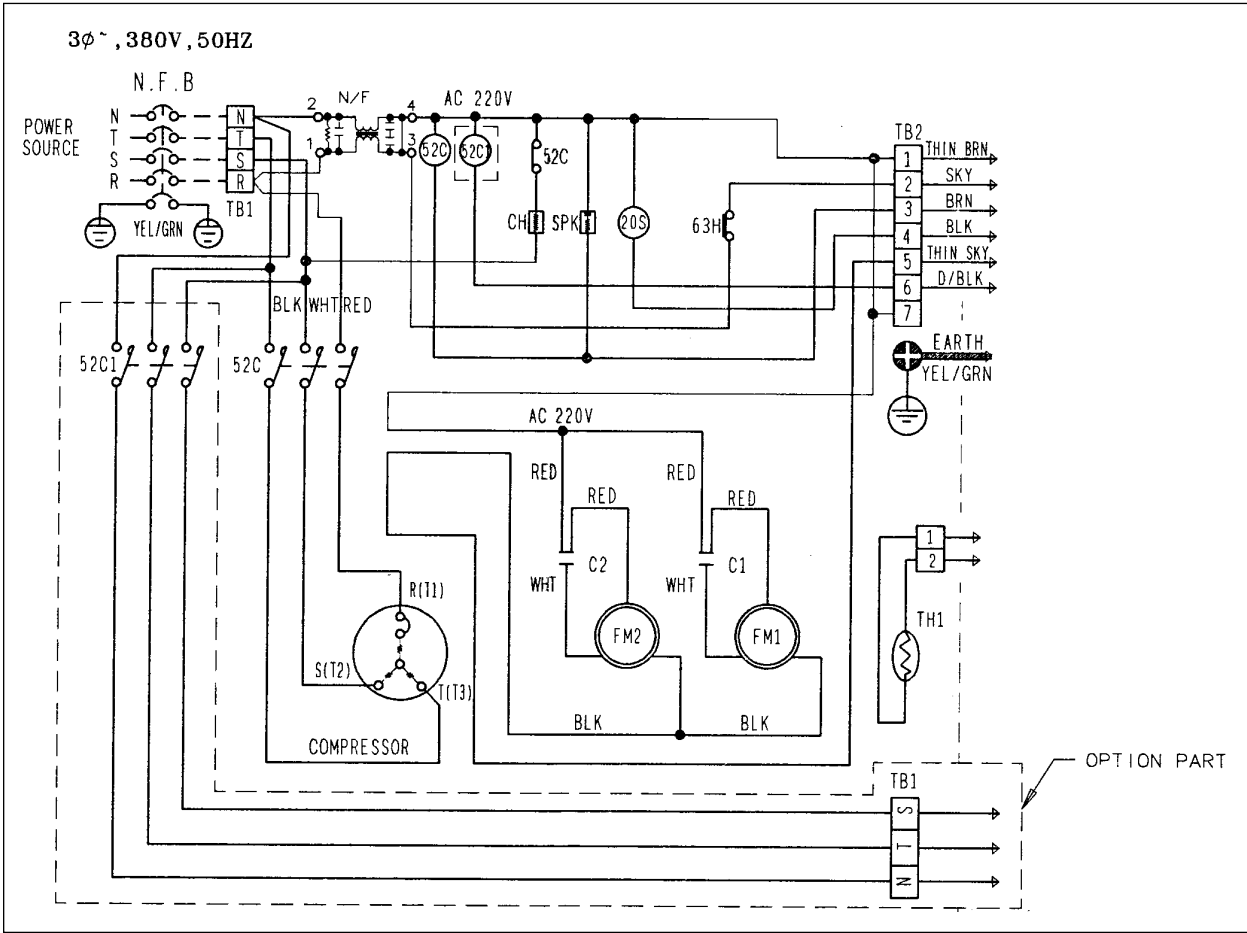
9. Wiring Diagrams

9-1 Indoor Unit



MARK	NAME
SK1,4	SPARK KILLER
VAR1	VARISTOR
FM	INDOOR FAN MOTOR
RTH ROOM	THERMISTOR
HTH	OVERHEAT SENSOR
ETH	EVAP. SENSOR
SWING	SWING MOTOR
RY1	COMPRESSOR DRIVE RELAY
RY2	SWING MOTOR DRIVE RELAY
RY3	FAN MOTOR DRIVE RELAY(HIGH)
RY4	FAN MOTOR DRIVE RELAY(MID)
RY5	FAN MOTOR DRIVE RELAY(LOW)
RY6	FAN MOTOR DRIVE RELAY(TURBO)
RY7	OUTDOOR FAN DRIVE RELAY
RY8	4WAY V/V DRIVE RELAY
RY11	HEATER DRIVE RELAY
HEATER	P.T.C. HEATER

9-2 Outdoor Unit



APH450PG	
NOTE	NAME
52C	MAGNETIC SWITCH COMP
52C1	MAGNETIC SWITCH ETH
TB 1, 2	TERMINAL BLOCK
TH 1	THERMISTOR CONDENSER
CH	CRANK CASE HEATER
SPK	SPARK KILLER
20S	4-WAY VALVE
C1,2	CAPACITOR OUT
N.F.B	CIRCUIT BREAKER 25A
63H	HIGH-PRESSURE SWITCH
FM1, 2	FAN MOTOR OUT
N/F	NOISE FILTER

* USE 25AMPS TIME DELAY FUSE OR CIRCUIT BREAKER

