

## 2. Product Specifications

### 2-1 Table of Specifications (Duct Type)

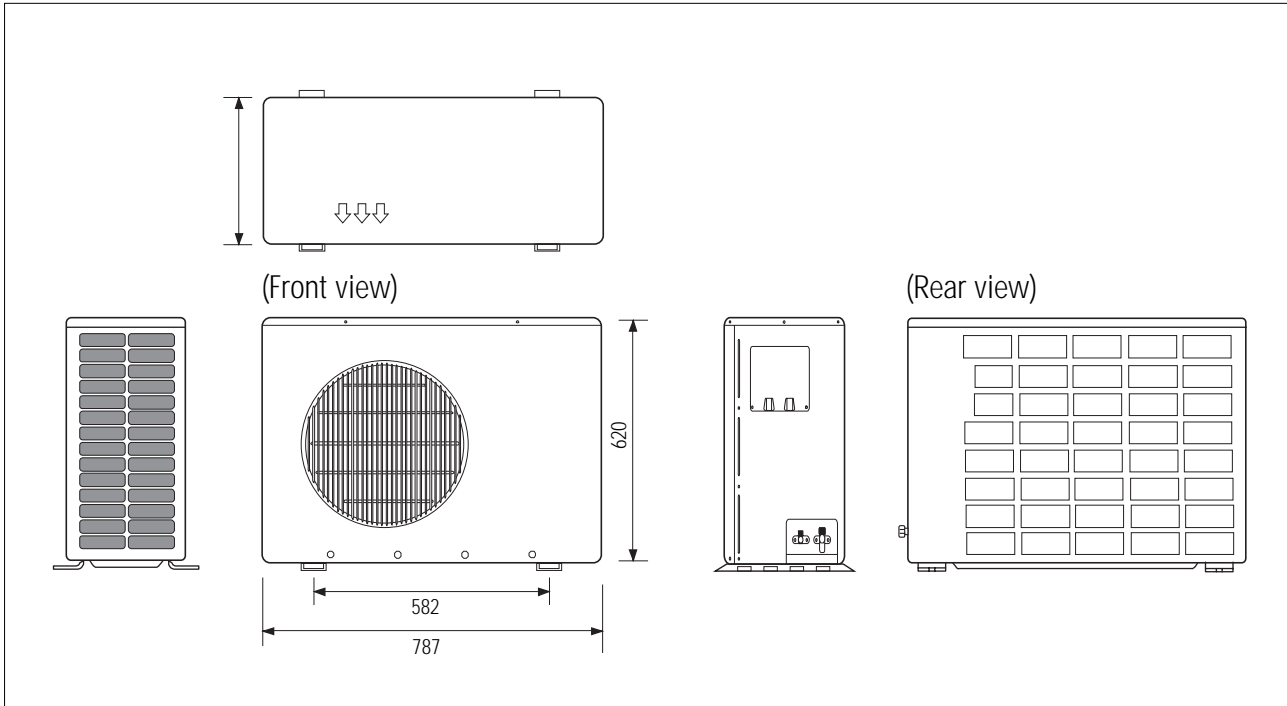
MODEL	INDOOR UNIT			IDH1800E/DH18ZA1(A2)	IDH2400E/DH24ZA1(A2)	IDH3200E/DH32ZA1(A2)
	OUTDOOR UNIT			UBH1800E/DH18ZAX	UBH2400E/DH24ZAX	UDH3200E/DH32ZAX
Capacity	Cooling	But/h		17,400	23,000	32,000
		W		5,100	6,700	9,350
	Heating	Btu/h		18,400	24,500	34,900
		W		5,400	7,200	10,200
Power supply				220-240- 50Hz		
Power input	Cooling		kW	1.75	2.30	3.50
	Heating		kW	1.65	2.40	3.60
Running current	Cooling		A	7.8	10.5	16.0
	Heating		A	7.3	11.0	16.5
Starting current			A	50.0	50.0	60.0
			A			
EER	Cooling		W/W	2.8	2.7	2.5
	Heating		W/W	2.9	2.8	2.7
Indoor unit	Fan speed	H.H	r.p.m.	900	1,080	1,300
		Hi	r.p.m.	800	980	1,200
		Med	r.p.m.	750	930	1,150
		Low	r.p.m.	700	880	1,100
	Air circulation	H.H	m <sup>3</sup> /min	17	20	24.0
		Hi	m <sup>3</sup> /min	15	18	22
		Med	m <sup>3</sup> /min	14	16	21
		Low	m <sup>3</sup> /min	13	15	20
	Noise Level (Sound pressure)	Hi	dB(A)	42	43	53
		Med	dB(A)	41	42	52
		Low	dB(A)	40	41	51
	Heat exchanger	type		D-fin coil	D-fin coil	wave fin coil
		rowxstagesxfin pitch		2x10x1.7(1100)	2x10x1.7(1100)	3x8x1.4(1100)
	Fan	type		Sirocco	Sirocco	Sirocco
		motor output	W	70	100	170
	Dimensions	H	mm	260	260	260
		W	mm	1,340	1,340	1,340
D		mm	600	600	600	
Weight	kg	Net/Gross	41/57	41/57	43/59	
Outdoor unit	Fan speed	Hi	r.p.m.	1,000	750	900
		Low	r.p.m.	650	400	550
	Air circulation (Hi)		m <sup>3</sup> /min	35	45	50
	Sound pressure level		dB(A)	55	56	62

MODEL	INDOOR UNIT			IDH1800E/DH18ZA1(A2)	IDH2400E/DH24ZA1(A2)	IDH3200E/DH32ZA1(A2)
	OUTDOOR UNIT			UBH1800E/DH18ZAX	UBH2400E/DH24ZAX	UDH3200E/DH32ZAX
Outdoor Unit	Fan	type		propeller	propeller	propeller
		motor output	W	35	60	115
	Compressor	type		scroll	scroll	scroll
		model		ZR22K3-PFJ	ZR28K3-PFJ	ZR42K3-PFJ
		motor output	kW	1.37	1.74	2.61
		protection		Internal	Internal	Internal
	Heat exchanger	type		wave fin coil	D fin coil	wave fin coil
		rowxstagesxfin pitch		2x24x1.7(824)	2x24x1.7(896)	2x30x1.7(886)
		face area	m <sup>2</sup>	0.494	0.583	0.665
	Refrigerant	control		Capillary	Capillary	Capillary
		(R22)charge	g	2,000	2,400	2,500
	Dimensions	(HXWxD)	mm	620x787x320	638x880x310	790x880x310
	Weight	kg	Net/Gross	63/68	67/72	77/83
	Condition	Indoor unit	Cool(DB/WB)	°C	27/19	27/19
Heat(DB/WB)			°C	20/15	20/15	20/15
Outdoor unit		Cool(DB/WB)	°C	35/24	35/24	35/24
		Heat(DB/WD)	°C	7/6	7/6	7/6
Piping	Pipe O.D. size	Liquid	mm(inch)	9.52(3/8")	9.52(3/8")	9.52(3/8")
		Gas	mm(inch)	15.88(5/8")	15.88(5/8")	15.88(5/8")
	Connection method			Flare	Flare	Flare
	Between	Height	m	Max. 15	Max. 15	Max. 15
		Pipe length	m	Max. 30	Max. 30	Max. 30

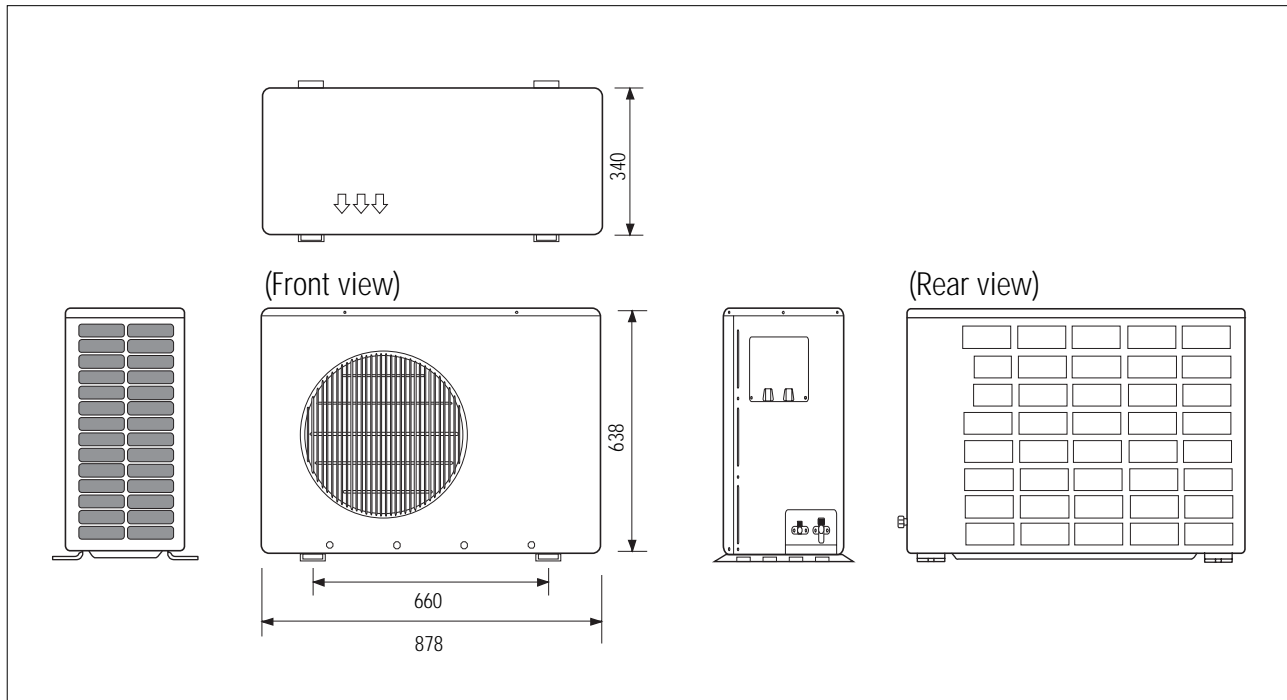


## 2-2-2 Outdoor Unit

### (a) 18K BTU



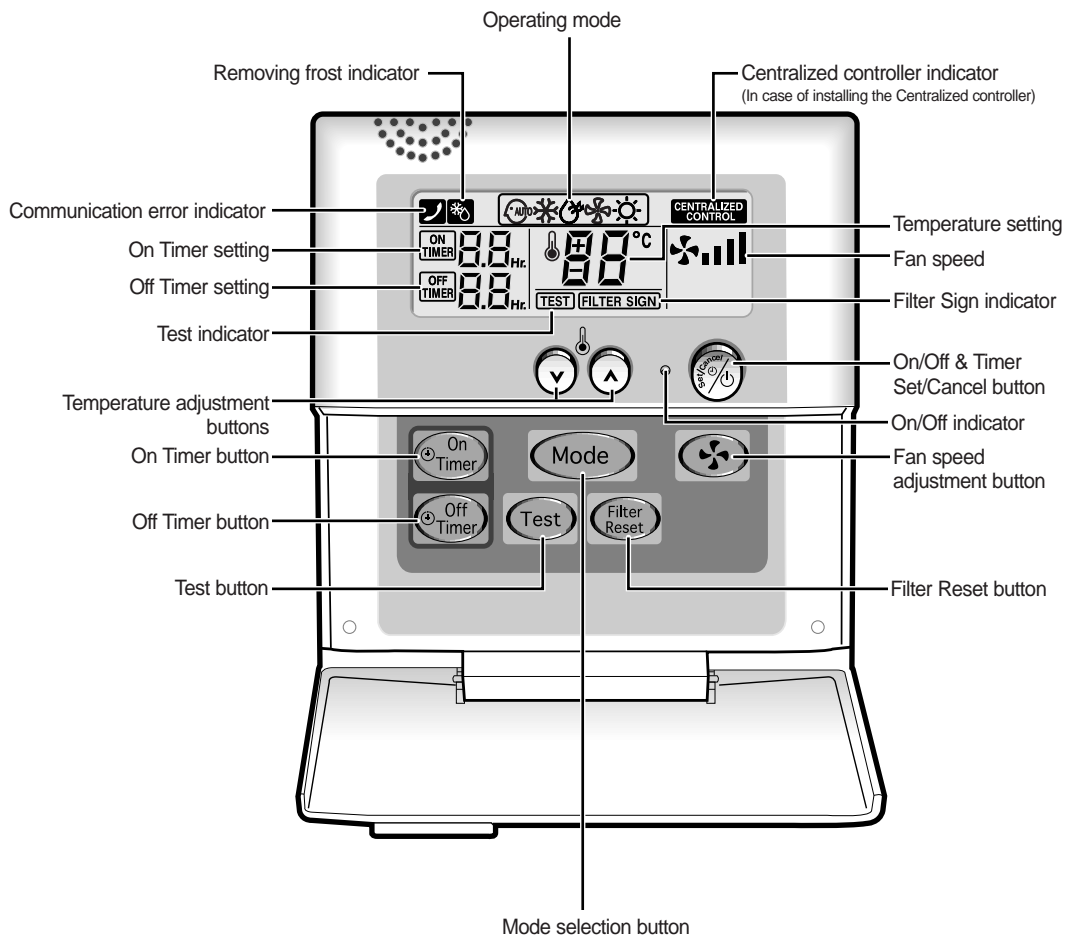
### (b) 24K BTU



## • Wired Remote Controller - Buttons and Display

The wired remote controller is an optional accessory.

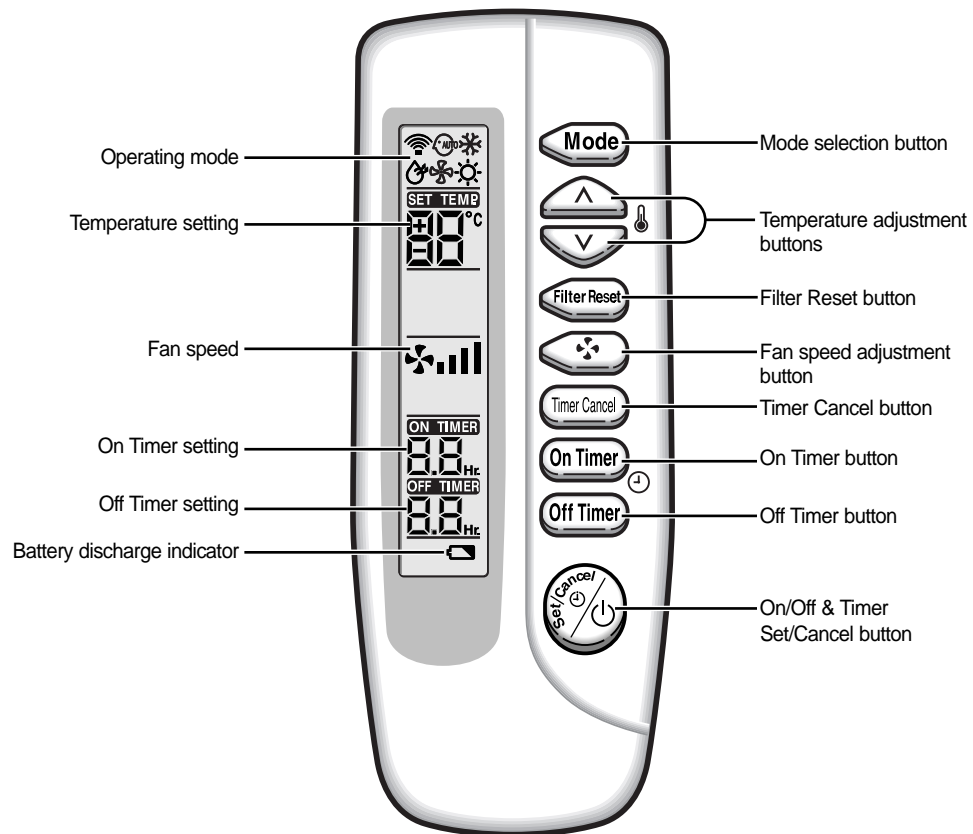
The wired remote controller is installed on the wall.



- Note :**
- Test button is for your installation specialist. You must NOT press it.
  - After cleaning the air filter, press the filter reset button, if the filter has been installed. Then the wired remote controller will display the FILTER SIGN indicator when the time to clean the air filter; refer to page 30.

## • Wireless Remote Controller-Buttons and Display

The wireless remote controller is an optional accessory.

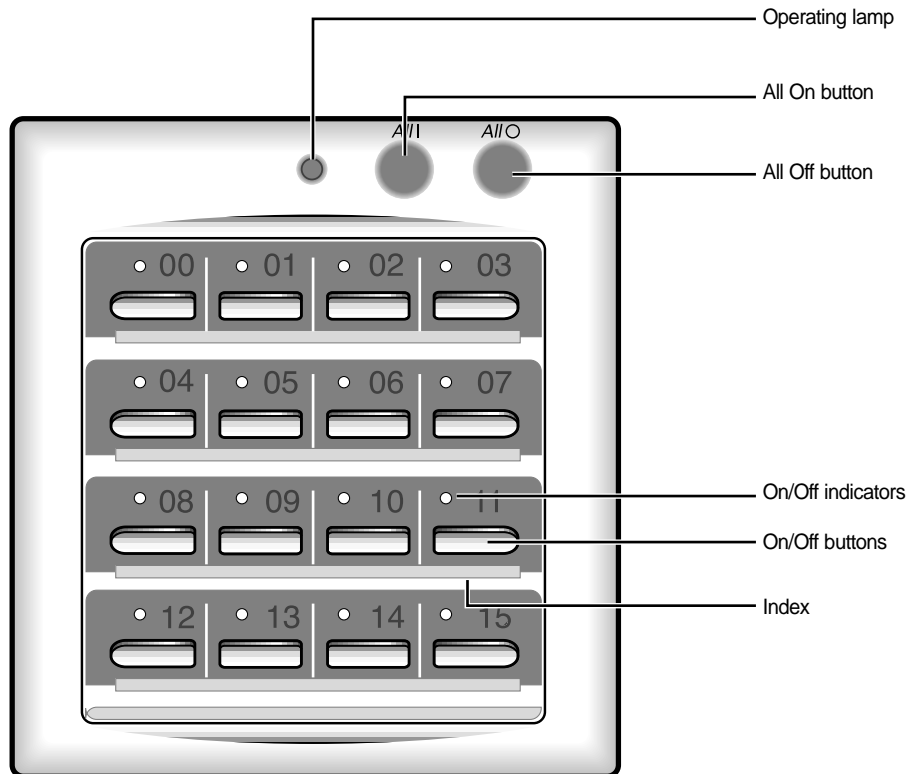


**Note** : After cleaning the air filter, press the filter reset button, if the filter has been installed.

## • Centralized Controller

The centralized controller is an optional accessory.

The centralized controller is installed on the wall



**Note :** Operating lamp comes on when at least one air conditioner connected to the centralized controller is operating.