

Visit www.carrier.com

Wiring Diagram

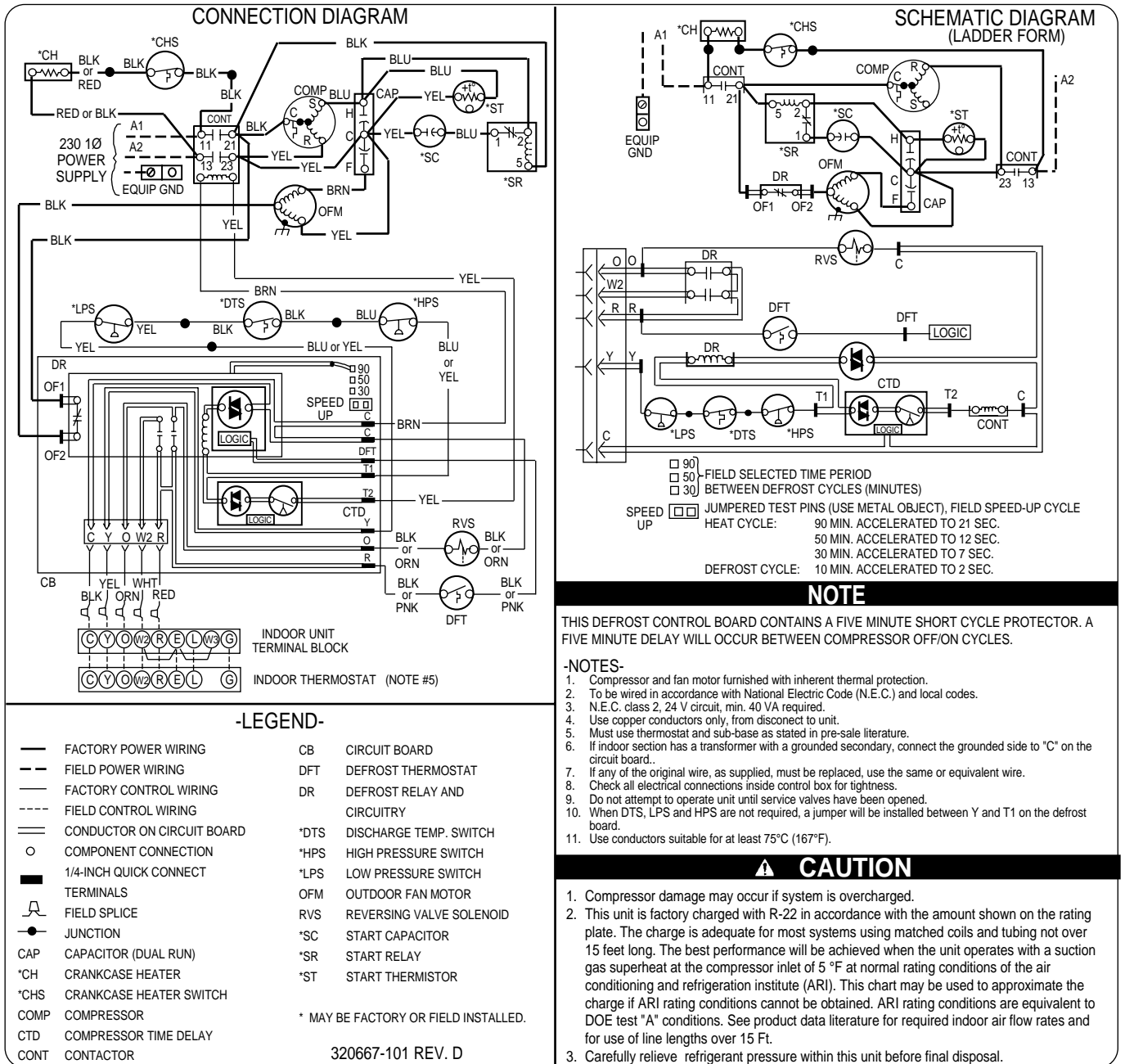
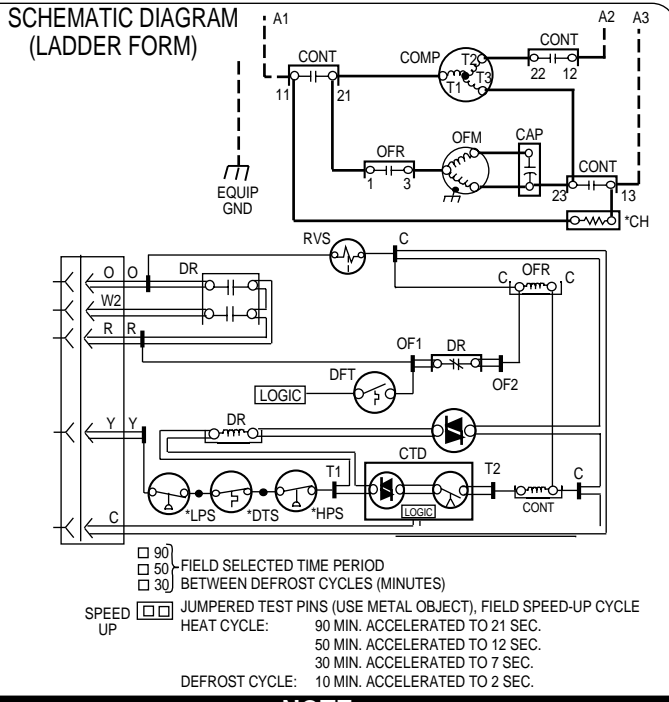
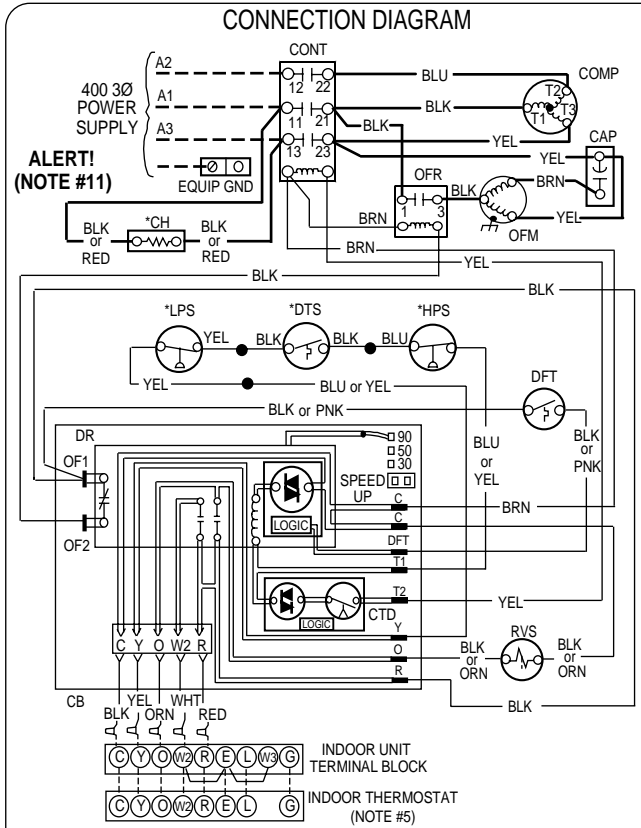


Fig. 1—38YCC 024 (70), 036 (70), 048 (70)
230v, 1 Phase, 50 Hertz

A97168



NOTE

THIS DEFROST CONTROL BOARD CONTAINS A FIVE MINUTE SHORT CYCLE PROTECTOR. A FIVE MINUTE DELAY WILL OCCUR BETWEEN COMPRESSOR OFF/ON CYCLES.

NOTES

1. Compressor and fan motor furnished with inherent thermal protection.
2. To be wired in accordance with National Electric Code (N.E.C.) and local codes.
3. N.E.C. class 2, 24 V circuit, min. 40 VA required.
4. Use copper conductors only, from disconnect to unit.
5. Must use thermostat and sub-base as stated in pre-sale literature.
6. If indoor section has a transformer with a grounded secondary, connect the grounded side to "C" on the circuit board.
7. If any of the original wire, as supplied, must be replaced, use the same or equivalent wire.
8. Check all electrical connections inside control box for tightness.
9. Do not attempt to operate unit until service valves have been opened.
10. When DTS, LPS and HPS are not required, a jumper will be installed between Y and T1 on the defrost board.
11. It is imperative to connect 3Ø field power to unit with correct phasing. Wrong phasing will cause reverse rotation of scroll compressor which will result in reduced current draw, elevated noise level and improper operation. If rotation is reversed, simply interchange any two of the three power connections on the field side.
12. Use conductors suitable for at least 75°C (167°F).

CAUTION

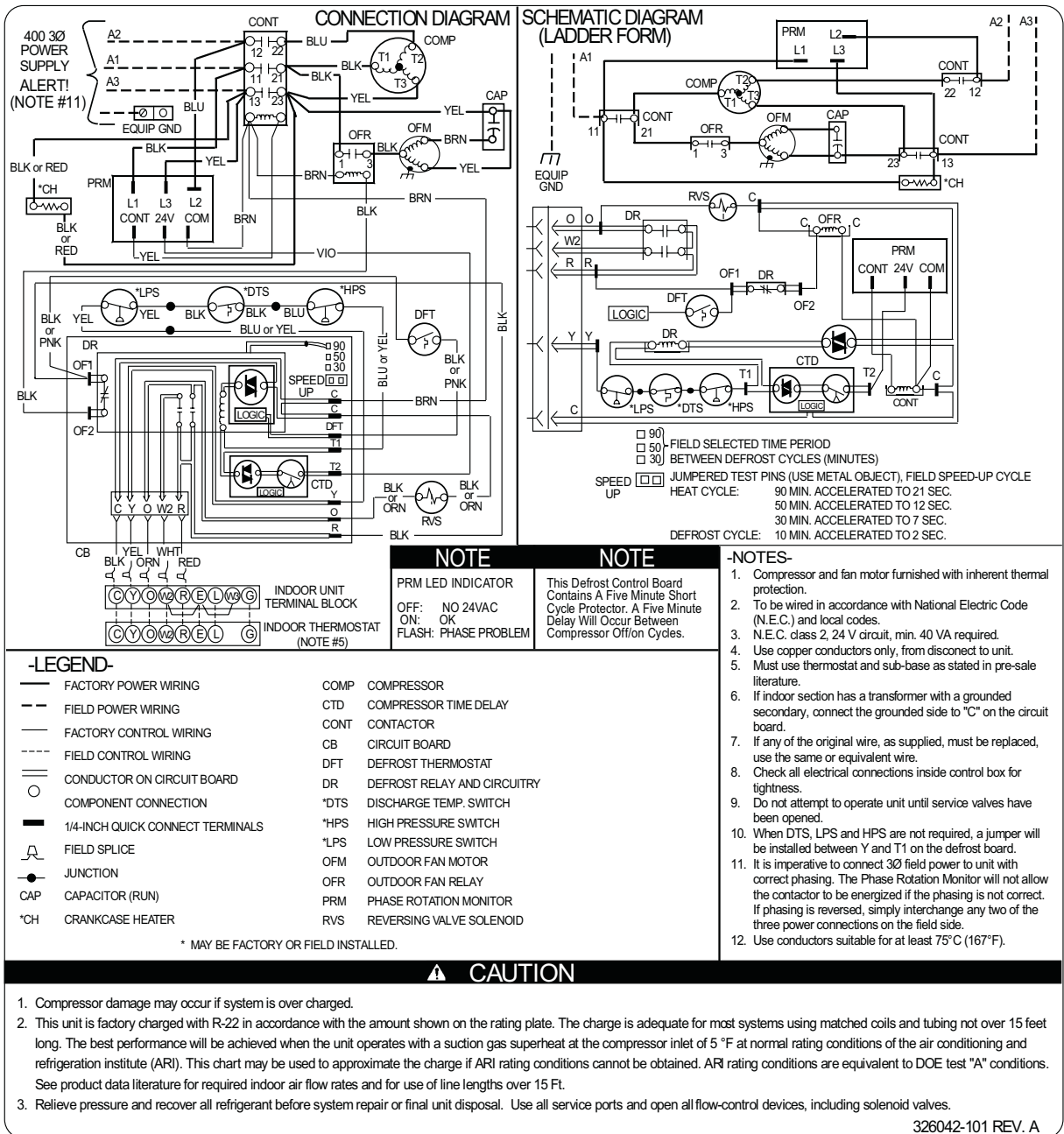
1. Compressor damage may occur if system is over charged.
2. This unit is factory charged with R-22 in accordance with the amount shown on the rating plate. The charge is adequate for most systems using matched coils and tubing not over 15 feet long. The best performance will be achieved when the unit operates with a suction gas superheat at the compressor inlet of 5 °F at normal rating conditions of the air conditioning and refrigeration institute (ARI). This chart may be used to approximate the charge if ARI rating conditions cannot be obtained. ARI rating conditions are equivalent to DOE test "A" conditions. See product data literature for required indoor air flow rates and for use of line lengths over 15 Ft.
3. Carefully relieve refrigerant pressure within this unit before final disposal.

-LEGEND-		
—	FACTORY POWER WIRING	CB CIRCUIT BOARD
- - -	FIELD POWER WIRING	DFT DEFROST THERMOSTAT
—	FACTORY CONTROL WIRING	DR DEFROST RELAY AND CIRCUITRY
- - -	FIELD CONTROL WIRING	*DTS DISCHARGE TEMP. SWITCH
==	CONDUCTOR ON CIRCUIT BOARD	*HPS HIGH PRESSURE SWITCH
○	COMPONENT CONNECTION	*LPS LOW PRESSURE SWITCH
—	1/4-INCH QUICK CONNECT TERMINALS	OFM OUTDOOR FAN MOTOR
⌋	FIELD SPLICE	OFR OUTDOOR FAN RELAY
●	JUNCTION	RVS REVERSING VALVE SOLENOID
CAP	CAPACITOR (RUN)	
*CH	CRANKCASE HEATER	
COMP	COMPRESSOR	
CTD	COMPRESSOR TIME DELAY	
CONT	CONTACTOR	
		* MAY BE FACTORY OR FIELD INSTALLED.

323728-101 REV. B

**Fig. 2—38YCC 036 (90), 048 (90, 92, 93), 060 (90, 92, 93)
400v, 3 Phase, 50 Hertz**

A97169



**Fig. 3—38YCC 048 (95), 060 (95)
400v, 3 Phase, 50 Hertz**

326042-101 REV. A

A00048

Manufacturer reserves the right to discontinue, or change at any time, specifications or designs without notice and without incurring obligations.