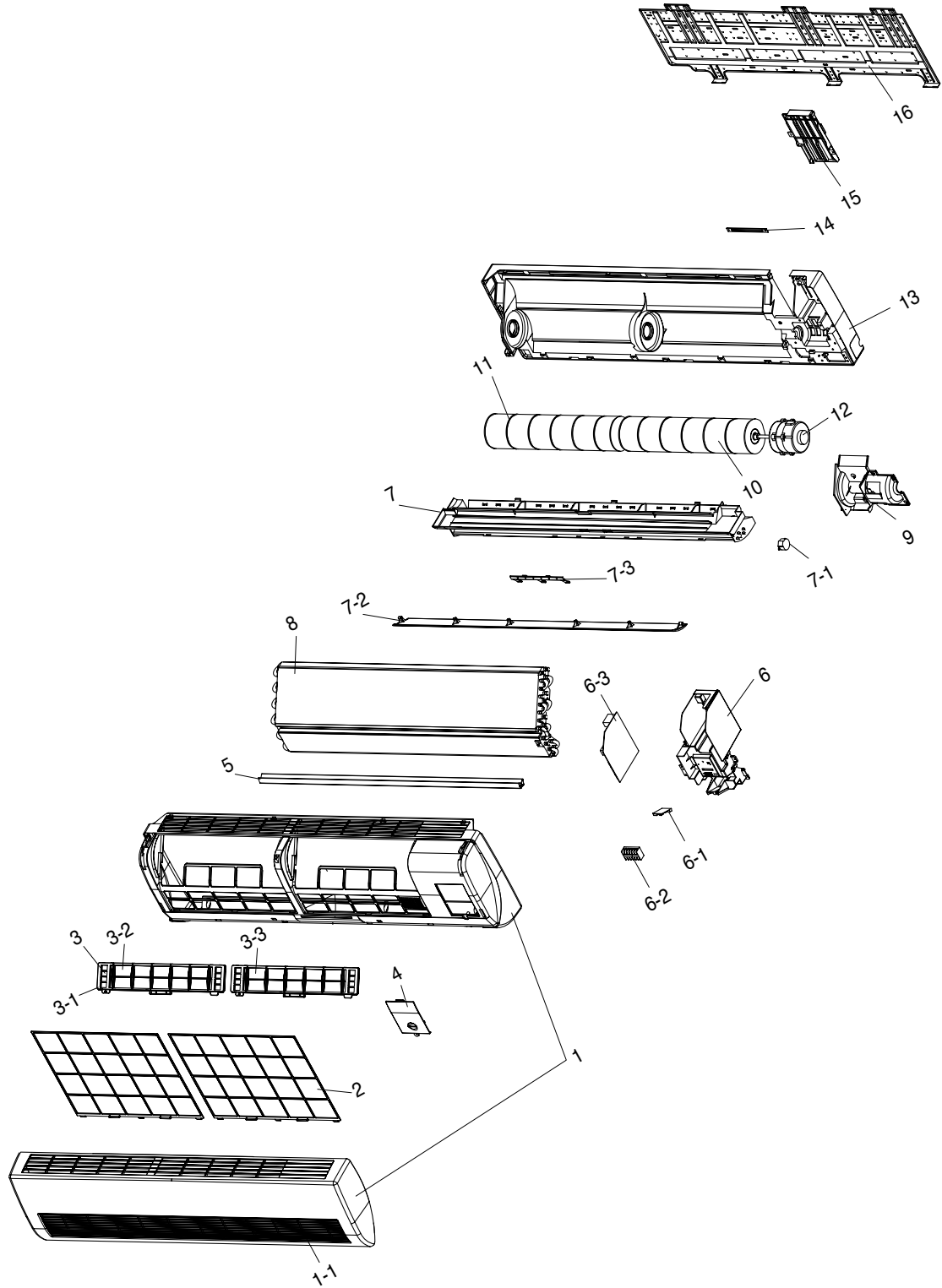


6. Exploded Views and Parts List

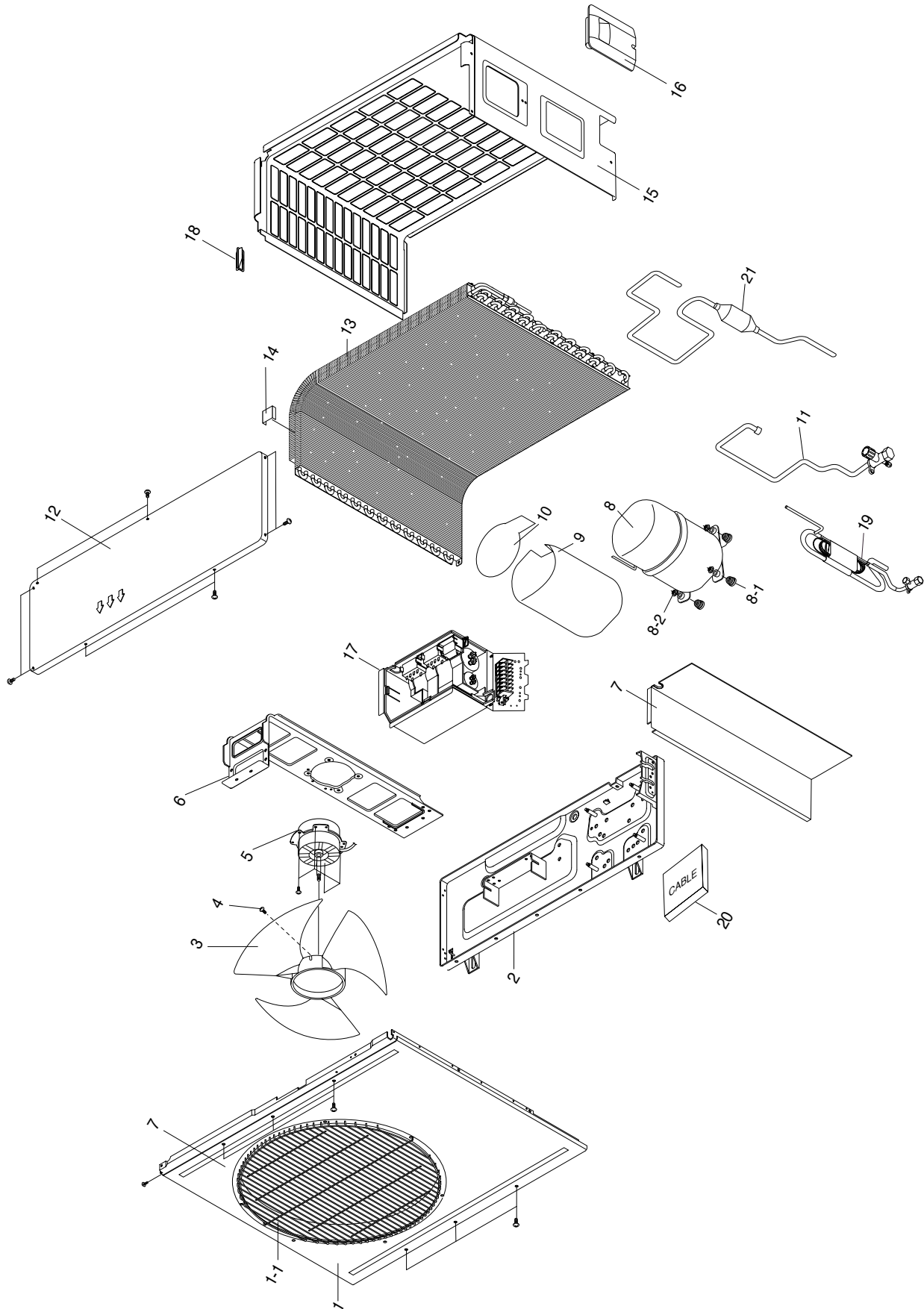
6-1 Indoor Unit



■ Parts List

No.	CODE NO	Description	Specification	Q'TY	Remarks
				SC30ZC1(C2)	
1	DB92-00206B	ASSY-PANEL FRONT	ASSY	1	
1-1	DB64-00339A	GRILLE-AIR INLET	ABS	1	
2	DB63-00268A	GUARD-AIR FILTER	PP	2	
3	DB63-00290A	ASSY-CLEANER FILTER	ASSY	1	
3-1	DB61-00035A	CASE-CLEANER FILTER	항균 PP	1	
3-2	DB74-00285A	FILTER-CARBON	405X82	1	
3-3	DB74-00286A	FILTER-CLEANER	405X82	1	
4	DB63-00270A	COVER-TERMINAL	난연 ABS	1	
5	DB60-00017A	SPACER-EVAP	PVC	1	
6	DB93-00879A	ASSY-CONTROL IN	ASSY	1	
6-1	DB93-00830A	ASS'Y MODULE & SW	ASSY	1	
6-2	DB65-00073B	ASSY-TERMINAL BLOCK	ASSY	1	
6-3	PD-SH30ZC-01	ASSY-MAIN PCB	ASSY	1	
7	DB94-00117B	ASSY-TRAY DRAIN	ASSY	1	
7-1	DB31-00092B	ASSY-STEPPING MOTOR	ASSY	1	
7-2	DB66-00249A	BLADE-H	ABS	1	
7-3	DB93-00823A	ASSY-CENTER DISPLAY	ASSY	1	
8	DB96-01137B	ASSY EVAPORATOR	ASSY	1	
9	DB61-00630A	HOLDER-MOTOR	난연 PP	1	
10	DB94-00118A	ASSY-FAN RH	ASSY	1	
11	DB94-00119A	ASSY-FAN LF	ASSY	1	
12	DB31-00104A	MOTOR-FAN IN	IC-9440SKJ5A	1	
13	DB94-00116B	ASSY-BACK BODY	ASSY	1	
14	DB61-00655A	HOLDER-BODY BACK	SGCC-M	1	
15	DB61-00633A	HOLDER-PIPE	ABS	1	
16	DB70-00143A	PLATE-HANGER	SGCC-M	1	

6-2 Outdoor Unit

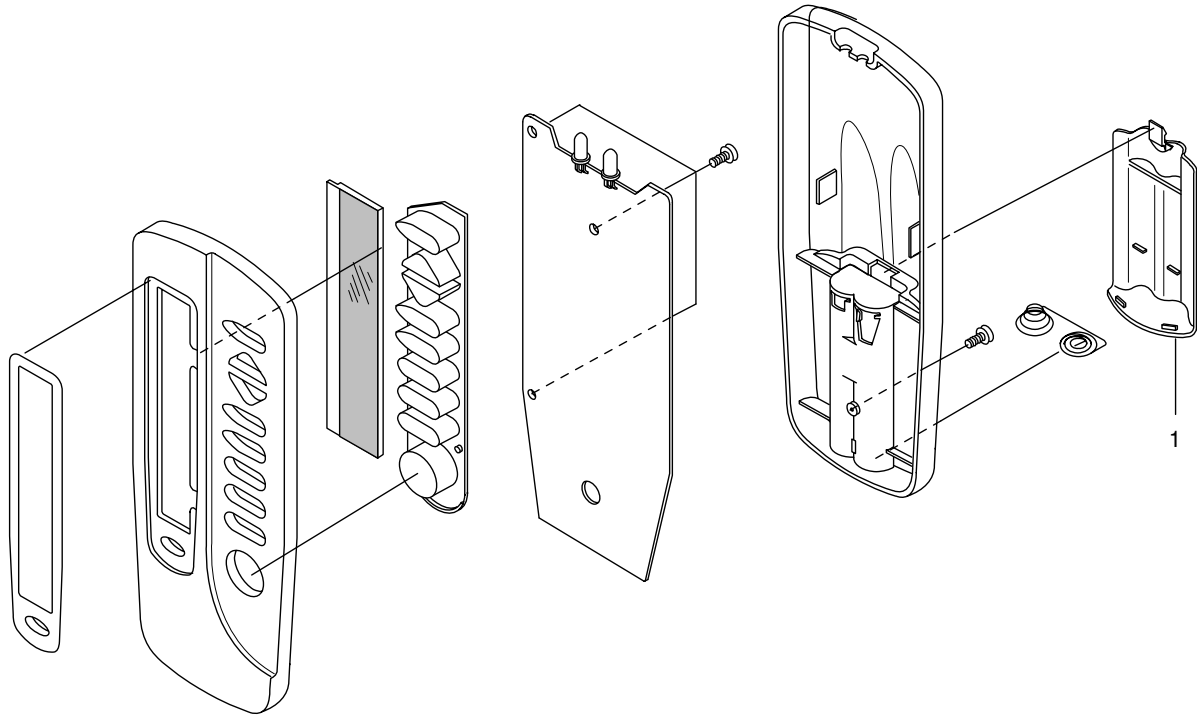


■ Parts List

No.	CODE NO	Description	Specification	Q'TY	Remarks
				SC30ZC1(C2)	
1	DB90-00533A	ASSY-CABI FRONT	ASSY	1	
1-1	DB63-00320A	GUARD-FAN	MSWR	1	
2	DB90-20157P	ASSY-BASE OUT	ASSY	1	
3	DB67-00140A	FAN-PROPELLER	AS+G/F20%	1	
4	DB60-20020A	BOLT-SPECIAL	M8, L25	1	
5	DB31-00103A	MOTOR-FAN OUT	OSME-606SRC	1	
6	DB61-00653A	BRACKET-MOTOR	SGCC-M	1	
7	DB94-00120A	ASSY-PARTITION	ASSY	1	
8	DB95-00220A	ASSY-COMP	H23A423ABKA	1	
8-1	DB73-10008A	GROMMET-ISOLATOR	EPDM	4	
8-2	DB60-00028A	NUT-WASHER	M8, ZPC	4	
9	DB63-00291A	FELT-COMP SOUND	FELT	1	
10	DB63-00292A	FELT-COMP TOP	FELT	1	
11	DB96-01154A	ASSY-TUBE SUCTION	ASSY	1	
12	DB90-10616D	ASSY-CABI UPPER	ASSY	1	
13	DB96-01138B	ASSY-CONDENSER	ASSY	1	
14	DB61-30276A	BRACKET-HOLDER	SGCC-M	1	
15	DB90-00555A	ASSY-CABI SIDE	ASSY	1	
16	DB90-40176B	COVER-CONTROL	ABS(난연)	1	
17	DB93-00882A	ASSY-CONTROL OUT	ASSY	1	
18	DB63-10492A	COVER-HANDLE	ABS	1	
19	DB96-01153A	ASSY-CAPILLARY	ASSY	1	
20	DB93-00681H	ASSY CABLE BOX	ASSY	1	
21	DB96-01155A	ASSY-TUBE DISCHARGE	ASSY	1	

6-3 Remote Control & PCB Box

6-3-1 Remote Control (DB93-00251K)

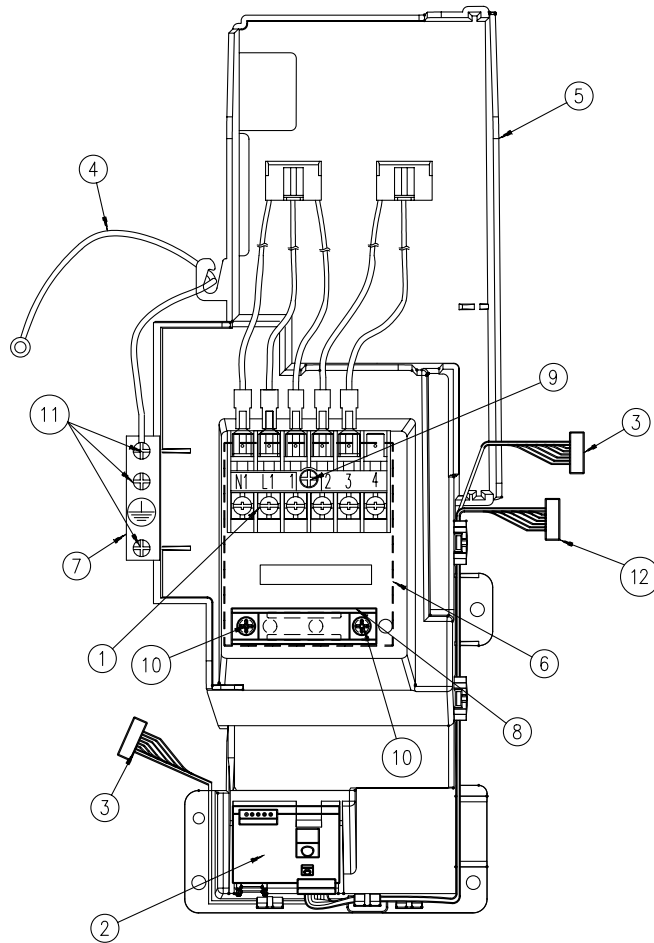


■ Parts List

No.	Description	Specification	Q'TY	Remark
1	ASS'Y PCB REMOCON BATTERY COVER	ARC-406	- 1	

6-3-2 PCB Box

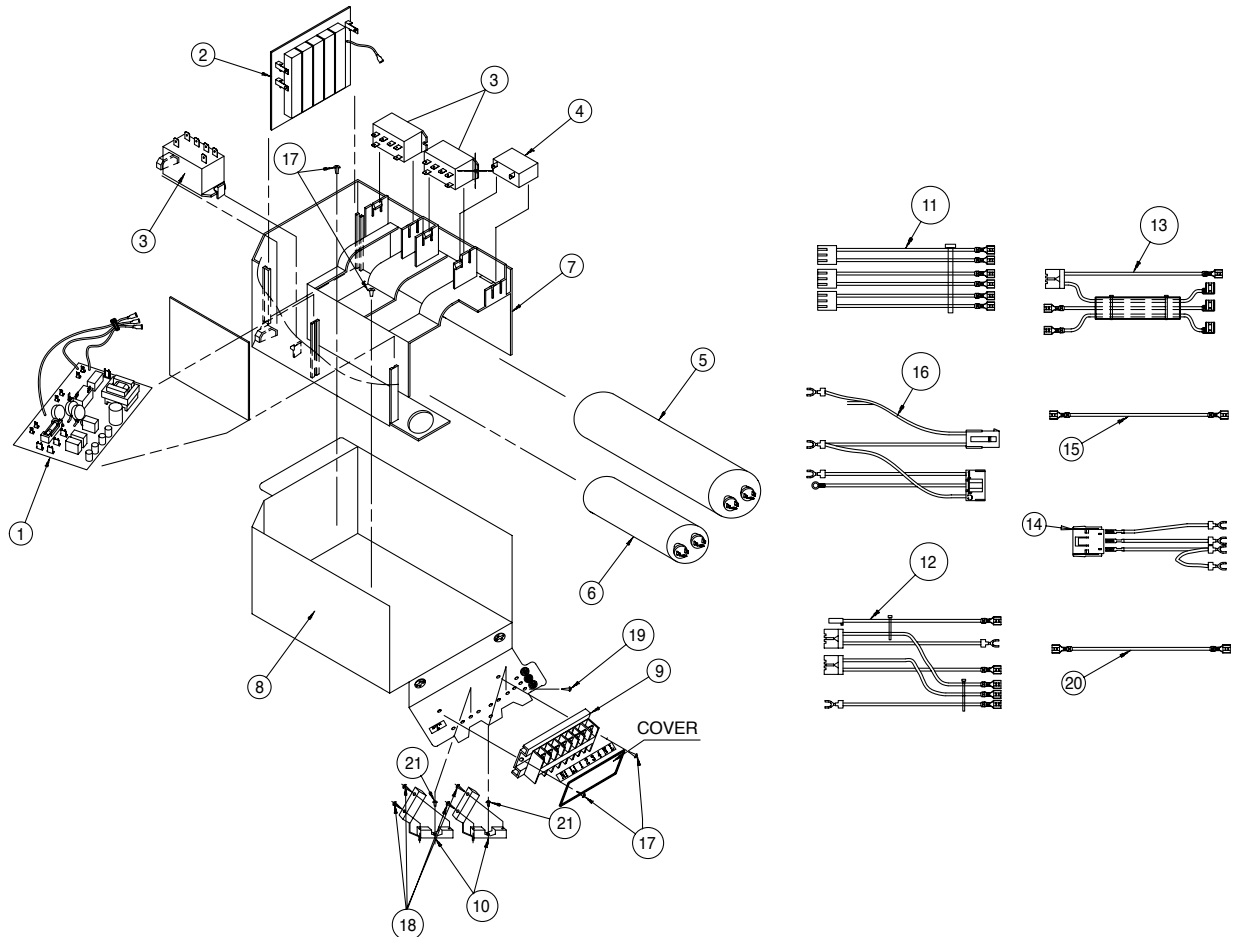
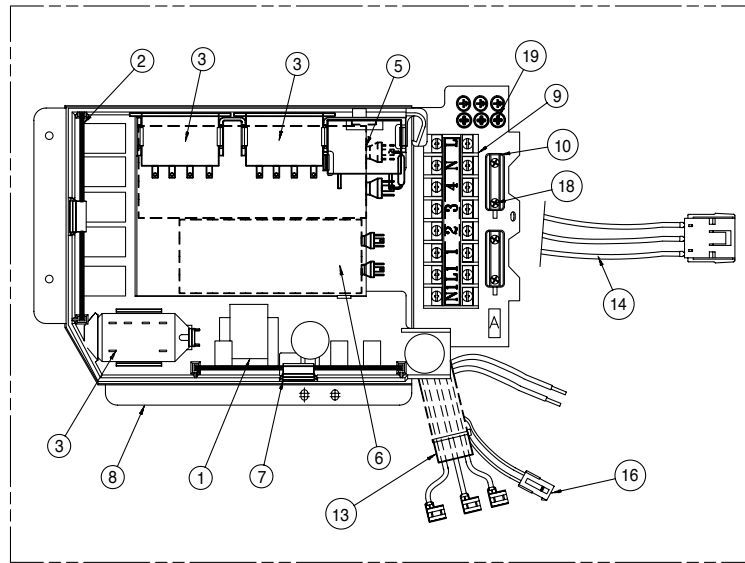
■ Indoor Unit (DB93-00879A)



■ Parts List

No.	Description	Specification	CODE-No	Q'TY
1	ASSY-TERMINAL BLOCK	6P	DB65-00073B	1
2	ASSY-MODULE PCB	B-PJT	DB93-00830A	1
3	ASS'Y C/W STEP MOTOR	6P, 1007 AWG #28	DB93-00877A	1
4	C/W EARTH	1P, AWG#16, 1015	DB39-00148A	1
5	HOLDER-CONTROL	HIPS, BLK, V0	DB61-00632A	1
6	HOLDER-CLAMP IN	SGCC-M	DB61-00495A	1
7	BRACKET-EARTH	SGCC-M	DB61-00163A	1
8	HOLDER-WIRE CLAMP		DB61-00171A	1
9	SCREW	PH, M3, L22		1
10	SCREW	TH, +, M4, L16, ZPC(YEL)		2
11	SCREW-EARTH	WP, TH, +, M4xL8, ZPC(YEL)		3
12	CONNECTOR WIRE	UL1007 AWG#26	DB32-00172B	1

■ Outdoor Unit (DB93-00882A)



■ Parts List

No.	Description	Specification	CODE-No	Q'TY
1	ASSY-PCB MAIN OUT	ASSY	DB93-00905B	1
2	ASSY-PCB SUB	ASSY	DB93-00873A	1
3	POWER RELAY	G7L-2A-TUB	3051-001026	3
4	C-FILM	AC450V/4uF	2301-001379	1
5	CAPACITOR	AC450V/130uF	2501-001260	1
6	CAPACITOR	AC450V/40uF	2501-001238	1
7	CASE CONTROL OUT	ASSY	DB61-00654A	1
8	ASSY CASE CONTROL OUT	ASSY	DB90-00556A	1
9	ASSY TERMINAL BLOCK	ASSY	DB65-00040A	1
10	HOLDER-WIRE CLAMP		DB61-00250A	2
11	ASSY-CONNECTOR WIRE DRIVE	ASSY	DB93-00885A	1
12	ASSY-CONNECTOR WIRE, RELAY	ASSY	Db93-00887A	1
13	ASSY-WIRE COMP	ASSY	DB93-00886A	1
14	ASSY-CONNECTOR WIRE MOTOR	ASSY	DB93-00864A	1
15	C/W CAPACITOR	ASSY	DB39-00581A	1
16	ASSY-CONNECTOR WIRE, LIVE	ASSY	DB93-00903A	1
17	SCREW	2S, M4, L10(YEL)		4
18	SCREW	TH, +, M4x16, ZPC(YEL), SWRCH		4
19	SCREW-EARTH	WP, TH, +, M4x8, ZPC(YEL)		2
20	C/W CAPACITOR	ASSY	DB39-00581B	1
21	SCREW TAPPING	M4, L12, P+, ZS		2

MEMO