



1. Functional parts and safety devices

1-1. 1-way cassette type

| Item | Code | Name | AVMKC020EAO AVMKH020EAO AVMKC020CAO AVMKH020CAO | | AVMKC026EAO AVMKH026EAO | | AVMKC032CAO AVMKH032CAO | | AVMKC035EAO AVMKH035EAO | | AVMKC040CAO AVMKH040CAO | |
|--------------------|--------------------------------|------------------------------------|--|--------------|----------------------------|--------------|----------------------------|--------------|----------------------------|--------------|----------------------------|--------------|
| | | | Safety devices | Motor | Fan motor | model | PFS040WTVE | PFS040WTVE | PFS040WTVE | PFS040WTVE | PFS040WTVE | PFS040WTVE |
| output | 13W | 14W | | | | 14W | 16W | 16W | | | | |
| Safety thermostat | off | 168°C | | | 168°C | 168°C | 168°C | 168°C | 168°C | | | |
| | on | - | | | - | - | - | - | - | | | |
| Temperature sensor | EIS | Thermistor (heat exchanger inlet) | 103AT (25°C=10kΩ) | | | | | | | | | |
| | EOS | Thermistor (heat exchanger outlet) | 103AT (25°C=10kΩ) | | | | | | | | | |
| | ITAS | Thermistor (indoor temperature) | 103AT (25°C=10kΩ) | | | | | | | | | |
| Functional parts | Electronic expansion valve kit | spec | 0 ~ 480 step | 0 ~ 480 step | 0 ~ 480 step | 0 ~ 480 step | 0 ~ 480 step | 0 ~ 480 step | 0 ~ 480 step | 0 ~ 480 step | 0 ~ 480 step | 0 ~ 480 step |
| | | model | MEV-14 | MEV-14 | MEV-14 | MEV-14 | MEV-14 | MEV-14 | MEV-14 | MEV-14 | MEV-14 | MEV-14 |
| PCB Fuse | | | 3.15A | 3.15A | 3.15A | 3.15A | 3.15A | 3.15A | 3.15A | 3.15A | 3.15A | |

1-2. 4-way cassette type

| Item | Code | Name | ABM1800B1 | | ABM2400B1 | | AVMCC052EAO AVMCH052EAO | | AVMCC052CAO AVMCH052CAO | | AVMCC070EAO AVMCH070EAO | |
|--------------------|--------------------------------|------------------------------------|-------------------|--------------|--------------|--------------|----------------------------|--------------|----------------------------|--------------|----------------------------|--------------|
| | | | Safety devices | Motor | Fan motor | model | OSM516SAC | OSM516SAC | OSME506SAC | OSM516SAC | OSME506SAC | OSM516SAC |
| output | 51W | 53W | | | | 51W | 51W | 51W | 53W | | | |
| Safety thermostat | off | 150°C | | | 150°C | 150°C | 150°C | 150°C | 150°C | | | |
| | on | 100°C | | | 100°C | 100°C | 100°C | 100°C | 100°C | | | |
| Temperature sensor | EIS | Thermistor (heat exchanger inlet) | 103AT (25°C=10kΩ) | | | | | | | | | |
| | EOS | Thermistor (heat exchanger outlet) | 103AT (25°C=10kΩ) | | | | | | | | | |
| | ITAS | Thermistor (indoor temperature) | 103AT (25°C=10kΩ) | | | | | | | | | |
| Functional parts | Electronic expansion valve kit | spec | 0 ~ 480 step | 0 ~ 480 step | 0 ~ 480 step | 0 ~ 480 step | 0 ~ 480 step | 0 ~ 480 step | 0 ~ 480 step | 0 ~ 480 step | 0 ~ 480 step | 0 ~ 480 step |
| | | model | MEV-18 | MEV-18 | MEV-18 | MEV-18 | MEV-18 | MEV-18 | MEV-18 | MEV-18 | MEV-18 | MEV-18 |
| PCB Fuse | | | 3.15A | 3.15A | 3.15A | 3.15A | 3.15A | 3.15A | 3.15A | 3.15A | 3.15A | |

| Item | Code | Name | AVMCC072CAO AVMCH072CAO | | AVMCC105EAO AVMCH105EAO | | AVMCC105CAO AVMCH105CAO | |
|--------------------|--------------------------------|------------------------------------|----------------------------|--------------|----------------------------|--------------|----------------------------|------------|
| | | | Safety devices | Motor | Fan motor | model | OSM516SAC | OSM1646SAC |
| output | 53W | 84W | | | | 84W | 84W | |
| Safety thermostat | off | 150°C | | | 135°C | 135°C | 135°C | |
| | on | 100°C | | | 100°C | 100°C | 100°C | |
| Temperature sensor | EIS | Thermistor (heat exchanger inlet) | 103AT (25°C=10kΩ) | | | | | |
| | EOS | Thermistor (heat exchanger outlet) | 103AT (25°C=10kΩ) | | | | | |
| | ITAS | Thermistor (indoor temperature) | 103AT (25°C=10kΩ) | | | | | |
| Functional parts | Electronic expansion valve kit | spec | 0 ~ 480 step | 0 ~ 480 step | 0 ~ 480 step | 0 ~ 480 step | 0 ~ 480 step | |
| | | model | MEV-18 | MEV-24 | MEV-24 | MEV-24 | MEV-24 | |
| PCB Fuse | | | 3.15A | 3.15A | 3.15A | 3.15A | | |

1-3. Duct type (Low silhouette)

| Item | Code | Name | ADM1800B1 | ADM2400B1 | AVMDC052EA0 AVMDH052EA0 | AVMDC052CA0 AVMDH052CA0 | AVMDC070EA0 AVMDH070EA0 | |
|--------------------|--------------------------------|------------------------------------|-------------------|--------------|----------------------------|----------------------------|----------------------------|------------|
| | | | Safety devices | Motor | Fan motor | model | OSM956SAC | OSM1304SAC |
| output | 51W | 81W | | | | 51W | 51W | 81W |
| Safety thermostat | off | 135°C | | 135°C | 135°C | 135°C | 135°C | |
| | on | 90°C | | 90°C | 90°C | 90°C | 90°C | |
| Temperature sensor | EIS | Thermistor (heat exchanger inlet) | 103AT (25°C=10kΩ) | | | | | |
| | EOS | Thermistor (heat exchanger outlet) | 103AT (25°C=10kΩ) | | | | | |
| | ITAS | Thermistor (indoor temperature) | 103AT (25°C=10kΩ) | | | | | |
| Functional parts | Electronic expansion valve kit | spec | 0 ~ 480 step | 0 ~ 480 step | 0 ~ 480 step | 0 ~ 480 step | 0 ~ 480 step | |
| | | model | MEV-18 | MEV-18 | MEV-18 | MEV-18 | MEV-18 | |
| PCB Fuse | | | 3.15A | 3.15A | 3.15A | 3.15A | 3.15A | |

| Item | Code | Name | AVMDC072CA0 AVMDH072CA0 | | | | | |
|--------------------|--------------------------------|------------------------------------|----------------------------|------------|--|--|--|--|
| Safety devices | Motor | Fan motor | model | OSM1304SAC | | | | |
| | | | output | 81W | | | | |
| | Safety thermostat | off | 135°C | | | | | |
| | | on | 90°C | | | | | |
| Temperature sensor | EIS | Thermistor (heat exchanger inlet) | 103AT (25°C=10kΩ) | | | | | |
| | EOS | Thermistor (heat exchanger outlet) | 103AT (25°C=10kΩ) | | | | | |
| | ITAS | Thermistor (indoor temperature) | 103AT (25°C=10kΩ) | | | | | |
| Functional parts | Electronic expansion valve kit | spec | 0 ~ 480 step | | | | | |
| | | model | MEV-18 | | | | | |
| PCB Fuse | | | 3.15A | | | | | |



1. Functional parts and safety devices

1-4. Duct type (Built-in)

| Item | Code | Name | | AVMBC020EA0 | AVMBC020CA0 | AVMBC026EA0 | AVMBC032CA0 | AVMBC035EA0 |
|--------------------|--------------------------------|------------------------------------|--------------|-------------------|--------------|--------------|--------------|-------------|
| | | | | AVMBH020EA0 | AVMBH020CA0 | AVMBH026EA0 | AVMBH032CA0 | AVMBH035EA0 |
| Safety devices | Motor | Fan motor | model | OSME414SAC | OSM404SAC | OSME414SAC | OSM404SAC | OSME414SAC |
| | | | output | 39W | 39W | 42W | 42W | 44W |
| | | Safety thermostat | off | 135°C | 135°C | 135°C | 135°C | 135°C |
| | | | on | 90°C | 90°C | 90°C | 90°C | 90°C |
| Temperature sensor | EIS | Thermistor (heat exchanger inlet) | | 103AT (25°C=10kΩ) | | | | |
| | EOS | Thermistor (heat exchanger outlet) | | 103AT (25°C=10kΩ) | | | | |
| | ITAS | Thermistor (indoor temperature) | | 103AT (25°C=10kΩ) | | | | |
| Functional parts | Electronic expansion valve kit | spec | 0 ~ 480 step | 0 ~ 480 step | 0 ~ 480 step | 0 ~ 480 step | 0 ~ 480 step | |
| | | model | MEV-14 | MEV-14 | MEV-14 | MEV-14 | MEV-14 | |
| PCB Fuse | | | | 3.15A | 3.15A | 3.15A | 3.15A | 3.15A |

| Item | Code | Name | | AVMBC040CA0 | AVMBC052EA0 | AVMBC052CA0 | AVMBC070EA0 | AVMBC072CA0 |
|--------------------|--------------------------------|------------------------------------|--------------|-------------------|--------------|--------------|--------------|-------------|
| | | | | AVMBH040CA0 | AVMBH052EA0 | AVMBH052CA0 | AVMBH070EA0 | AVMBH072CA0 |
| Safety devices | Motor | Fan motor | model | OSM404SAC | OSME974SAC | OSM964SAC | OSME974SAC | OSM964SAC |
| | | | output | 44W | 53W | 53W | 63W | 63W |
| | | Safety thermostat | off | 135°C | 135°C | 135°C | 135°C | 135°C |
| | | | on | 90°C | 90°C | 90°C | 90°C | 90°C |
| Temperature sensor | EIS | Thermistor (heat exchanger inlet) | | 103AT (25°C=10kΩ) | | | | |
| | EOS | Thermistor (heat exchanger outlet) | | 103AT (25°C=10kΩ) | | | | |
| | ITAS | Thermistor (indoor temperature) | | 103AT (25°C=10kΩ) | | | | |
| Functional parts | Electronic expansion valve kit | spec | 0 ~ 480 step | 0 ~ 480 step | 0 ~ 480 step | 0 ~ 480 step | 0 ~ 480 step | |
| | | model | MEV-14 | MEV-18 | MEV-18 | MEV-18 | MEV-18 | |
| PCB Fuse | | | | 3.15A | 3.15A | 3.15A | 3.15A | 3.15A |

1-5. Duct type (High pressure)

| Item | Code | Name | | AVMHC105EA0 | AVMHC105CA0 | AVMHC128EA0 | AVMHC128CA0 |
|--------------------|--------------------------------|------------------------------------|--------------|-------------------|--------------|--------------|-------------|
| | | | | AVMHH105EA0 | AVMHH105CA0 | AVMHH128EA0 | AVMHH128CA0 |
| Safety devices | Motor | Fan motor | model | OSME1604SAC | OSM1524SAC | OSM1614SAC | OSM1504SAC |
| | | | output | 189W | 193W | 210W | 214W |
| | | Safety thermostat | off | 150°C | 150°C | 150°C | 150°C |
| | | | on | 100°C | 100°C | 100°C | 100°C |
| Temperature sensor | EIS | Thermistor (heat exchanger inlet) | | 103AT (25°C=10kΩ) | | | |
| | EOS | Thermistor (heat exchanger outlet) | | 103AT (25°C=10kΩ) | | | |
| | ITAS | Thermistor (indoor temperature) | | 103AT (25°C=10kΩ) | | | |
| Functional parts | Electronic expansion valve kit | spec | 0 ~ 480 step | 0 ~ 480 step | 0 ~ 480 step | 0 ~ 480 step | |
| | | model | MEV-24 | MEV-24 | MEV-24 | MEV-24 | |
| PCB Fuse | | | | 5.00A | 5.00A | 5.00A | 5.00A |

1-6. Wall-mounted type

| Item | Code | Name | AVMWC020EAO AVMWH020EAO AVMWC020CAO AVMWH020CAO | | | | | AVMWC026EAO AVMWH026EAO | | AVMWC032CAO AVMWH032CAO | | AVMWC035EAO AVMWH035EAO | | AVMWC040CAO AVMWH040CAO | | |
|--------------------|--------------------------------|------------------------------------|---|--------------|--------------|--------------|--------------|-------------------------|--------------|-------------------------|--------------|-------------------------|--------------|-------------------------|-----------|-----------|
| | | | Safety devices | Motor | Fan motor | model | YFNPG22-4 | YFNPG22-4 | YFNPG22-4 | YFNPG22-4 | YFNPG22-4 | YFNPG22-4 | YFNPG22-4 | YFNPG22-4 | YFNPG22-4 | YFNPG22-4 |
| output | 13W | 14W | | | | 14W | 14W | 16W | 16W | 16W | 16W | 16W | 16W | 16W | 16W | 16W |
| Safety thermostat | off | 163°C | | | 163°C | 163°C | 163°C | 163°C | 163°C | 163°C | 163°C | 163°C | 163°C | 163°C | 163°C | 163°C |
| | on | - | | | - | - | - | - | - | - | - | - | - | - | - | - |
| Temperature sensor | EIS | Thermistor (heat exchanger inlet) | 103AT (25°C=10kΩ) | | | | | | | | | | | | | |
| | EOS | Thermistor (heat exchanger outlet) | 103AT (25°C=10kΩ) | | | | | | | | | | | | | |
| | ITAS | Thermistor (indoor temperature) | 103AT (25°C=10kΩ) | | | | | | | | | | | | | |
| Functional parts | Electronic expansion valve kit | spec | 0 ~ 480 step | 0 ~ 480 step | 0 ~ 480 step | 0 ~ 480 step | 0 ~ 480 step | 0 ~ 480 step | 0 ~ 480 step | 0 ~ 480 step | 0 ~ 480 step | 0 ~ 480 step | 0 ~ 480 step | 0 ~ 480 step | | |
| | | model | MEV-14 | MEV-14 | MEV-14 | MEV-14 | MEV-14 | MEV-14 | MEV-14 | MEV-14 | MEV-14 | MEV-14 | MEV-14 | MEV-14 | MEV-14 | |
| PCB Fuse | | | 3.15A | 3.15A | 3.15A | 3.15A | 3.15A | 3.15A | 3.15A | 3.15A | 3.15A | 3.15A | 3.15A | 3.15A | | |

| Item | Code | Name | AVMWC052EAO AVMWH052EAO AVMWC052CAO AVMWH052CAO | | | AVMWC070EAO AVMWH070EAO | | AVMWC072CAO AVMWH072CAO | |
|--------------------|--------------------------------|------------------------------------|---|--------------|--------------|-------------------------|--------------|-------------------------|-------------|
| | | | Safety devices | Motor | Fan motor | model | IC9430SKC7A | IC9430SKC7A | IC9430SKC7A |
| output | 23W | 27W | | | | 27W | 27W | 27W | |
| Safety thermostat | off | 135°C | | | 135°C | 135°C | 135°C | 135°C | |
| | on | - | | | - | - | - | - | |
| Temperature sensor | EIS | Thermistor (heat exchanger inlet) | 103AT (25°C=10kΩ) | | | | | | |
| | EOS | Thermistor (heat exchanger outlet) | 103AT (25°C=10kΩ) | | | | | | |
| | ITAS | Thermistor (indoor temperature) | 103AT (25°C=10kΩ) | | | | | | |
| Functional parts | Electronic expansion valve kit | spec | 0 ~ 480 step | 0 ~ 480 step | 0 ~ 480 step | 0 ~ 480 step | 0 ~ 480 step | | |
| | | model | MEV-18 | MEV-18 | MEV-18 | MEV-18 | MEV-18 | | |
| PCB Fuse | | | 3.15A | 3.15A | 3.15A | 3.15A | 3.15A | | |



1. Functional parts and safety devices

1-7. Floor standing type

| Item | Code | Name | | AVMPC060EA0 | AVMPC060CA0 | AVMPC070EA0 | AVMPC072CA0 | AVMPC082EA0 |
|--------------------|--------------------------------|------------------------------------|--------------|-------------------|--------------|--------------|--------------|-------------|
| | | | | AVMPH060EA0 | AVMPH060CA0 | AVMPH070EA0 | AVMPH072CA0 | AVMPH082EA0 |
| Safety devices | Motor | Fan motor | model | OSM1408SAC | OSM1308SAC | OSM1408SAC | OSM1308SAC | OSM1408SAC |
| | | | output | 63W | 63W | 63W | 63W | 63W |
| | | Safety thermostat | off | 135°C | 135°C | 135°C | 135°C | 135°C |
| | | | on | 90°C | 90°C | 90°C | 90°C | 90°C |
| Temperature sensor | EIS | Thermistor (heat exchanger inlet) | | 103AT (25°C=10kΩ) | | | | |
| | EOS | Thermistor (heat exchanger outlet) | | 103AT (25°C=10kΩ) | | | | |
| | ITAS | Thermistor (indoor temperature) | | 103AT (25°C=10kΩ) | | | | |
| Functional parts | Electronic expansion valve kit | spec | 0 ~ 480 step | 0 ~ 480 step | 0 ~ 480 step | 0 ~ 480 step | 0 ~ 480 step | |
| | | model | MEV-18 | MEV-18 | MEV-18 | MEV-18 | MEV-18 | |
| PCB Fuse | | | | ? | ? | ? | ? | ? |

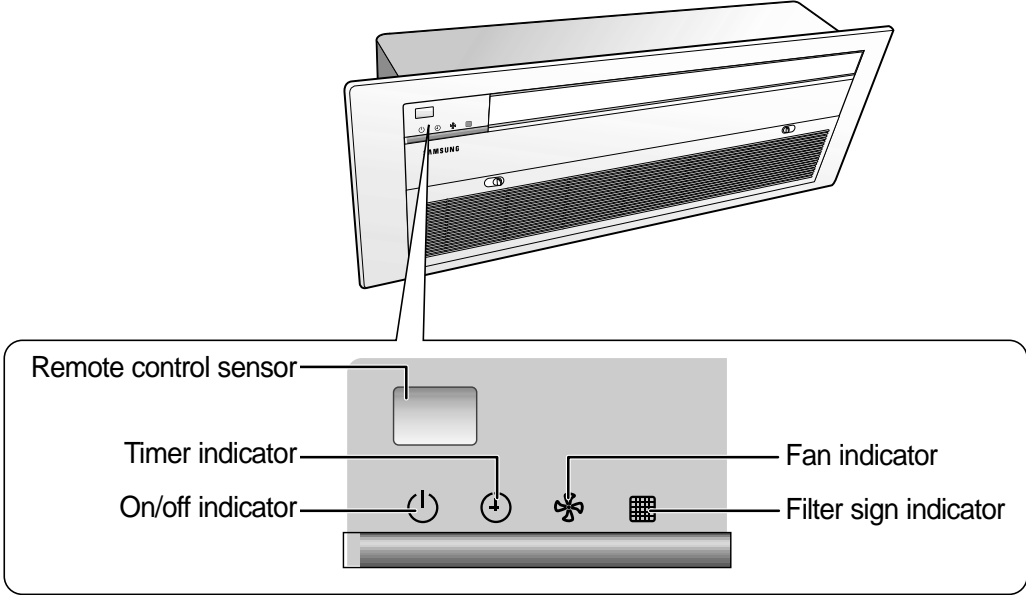
| Item | Code | Name | | AVMPC083CA0 AVMPH083CA0 | | | | |
|--------------------|--------------------------------|------------------------------------|--------------|----------------------------|-------|-----------|-------|------------|
| | | | | Safety devices | Motor | Fan motor | model | OSM1308SAC |
| output | 63W | | | | | | | |
| Safety thermostat | off | 135°C | | | | | | |
| | on | 90°C | | | | | | |
| Temperature sensor | EIS | Thermistor (heat exchanger inlet) | | 103AT (25°C=10kΩ) | | | | |
| | EOS | Thermistor (heat exchanger outlet) | | 103AT (25°C=10kΩ) | | | | |
| | ITAS | Thermistor (indoor temperature) | | 103AT (25°C=10kΩ) | | | | |
| Functional parts | Electronic expansion valve kit | spec | 0 ~ 480 step | | | | | |
| | | model | MEV-18 | | | | | |
| PCB Fuse | | | | ? | | | | |

1-8. Ceiling type

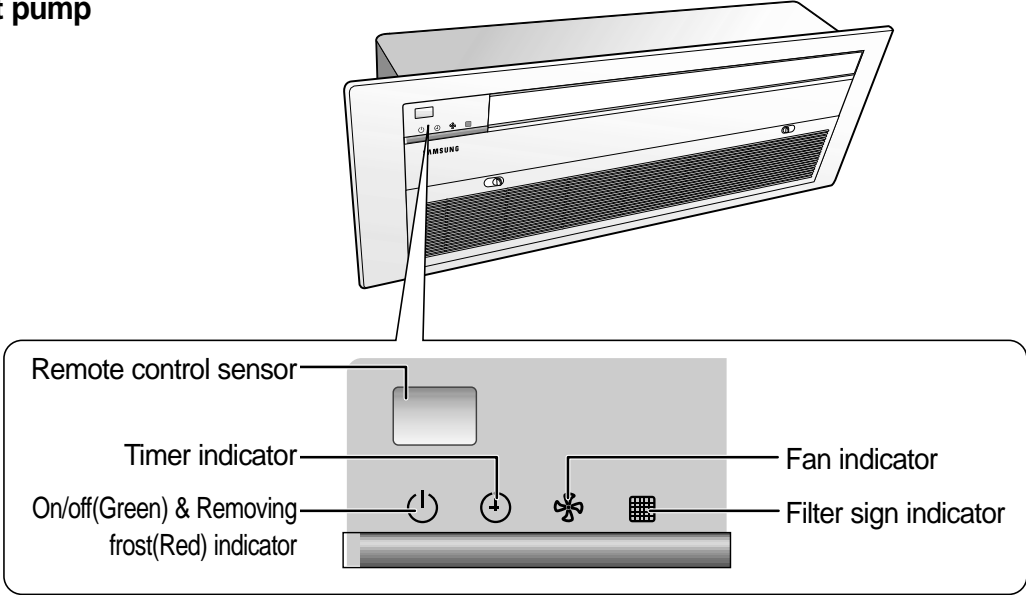
| Item | Code | Name | | AVMFC052EA0 | AVMFC052CA0 | AVMFC070EA0 | AVMFC072CA0 |
|--------------------|--------------------------------|------------------------------------|--------------|-------------------|--------------|--------------|-------------|
| | | | | AVMFH052EA0 | AVMFH052CA0 | AVMFH070EA0 | AVMFH072CA0 |
| Safety devices | Motor | Fan motor | model | ? | ? | ? | ? |
| | | | output | 51W | 51W | 53W | 53W |
| | | Safety thermostat | off | 135°C | 135°C | 135°C | 135°C |
| | | | on | 90°C | 90°C | 90°C | 90°C |
| Temperature sensor | EIS | Thermistor (heat exchanger inlet) | | 103AT (25°C=10kΩ) | | | |
| | EOS | Thermistor (heat exchanger outlet) | | 103AT (25°C=10kΩ) | | | |
| | ITAS | Thermistor (indoor temperature) | | 103AT (25°C=10kΩ) | | | |
| Functional parts | Electronic expansion valve kit | spec | 0 ~ 480 step | 0 ~ 480 step | 0 ~ 480 step | 0 ~ 480 step | |
| | | model | MEV-18 | MEV-18 | MEV-18 | MEV-18 | |
| PCB Fuse | | | | ? | ? | ? | ? |

2. Display unit

2-1. 1-Way cassette type (1) Cooling only



(2) Heat pump



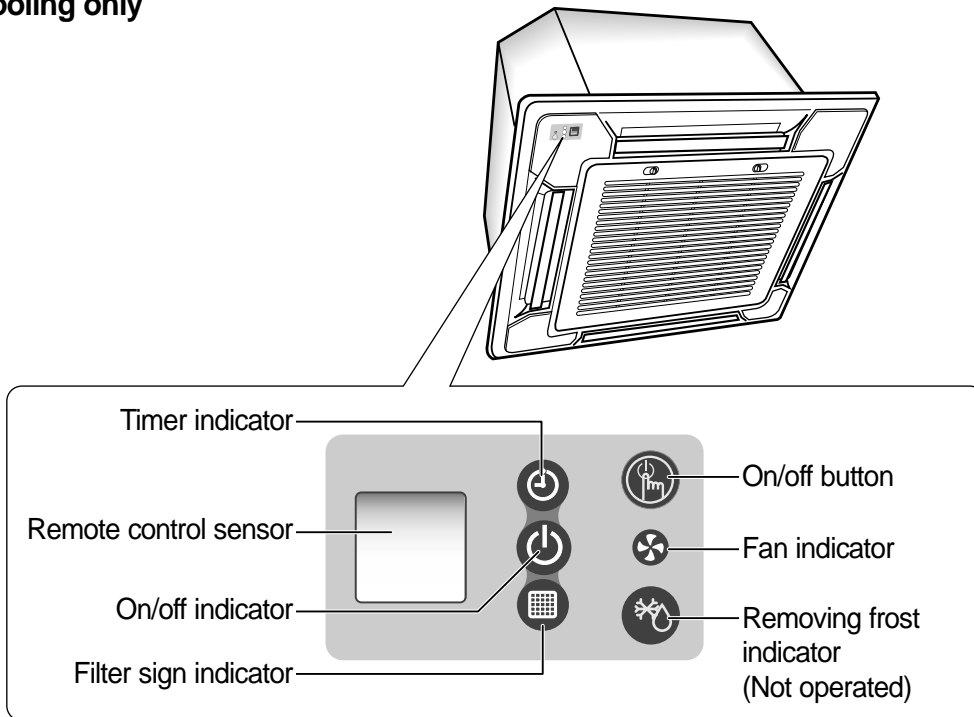
Note ◆ Both cooling only models and heat pump models use the same panel. However, the function of LED is different with each other.



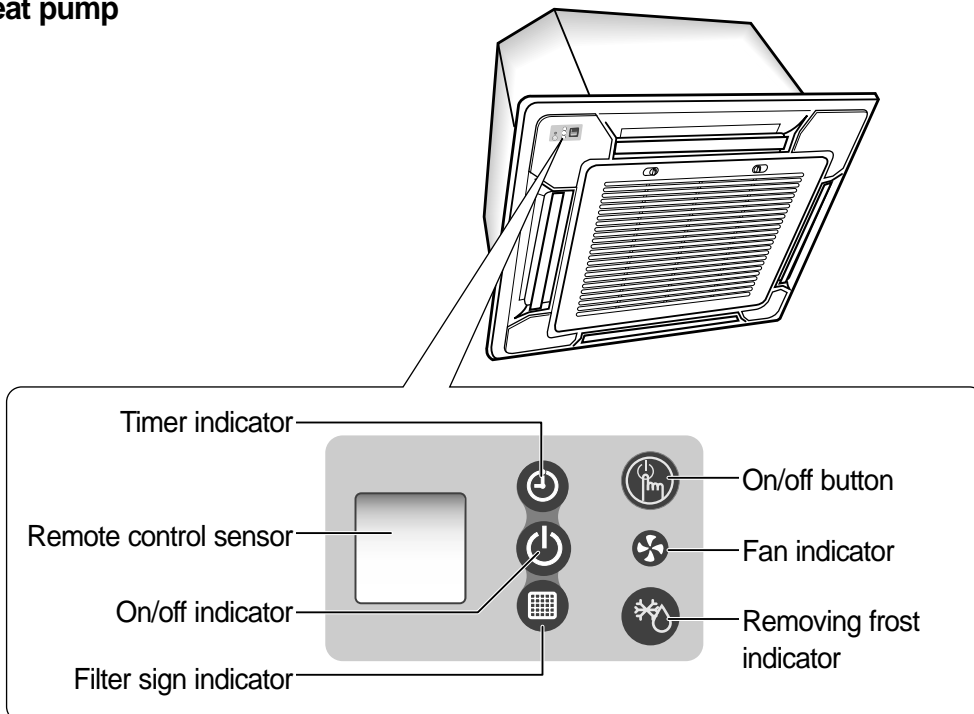
2. Display unit

2-2. 4-Way cassette type

(1) Cooling only



(2) Heat pump

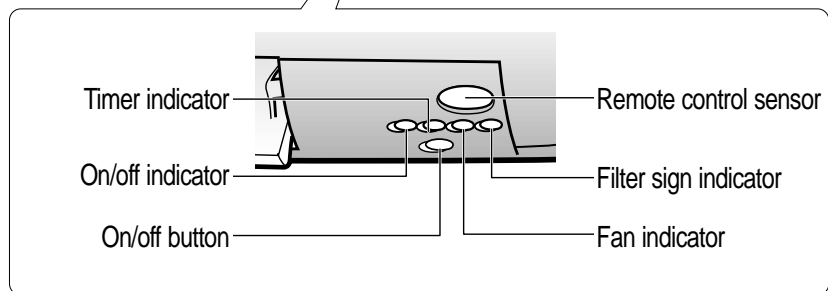
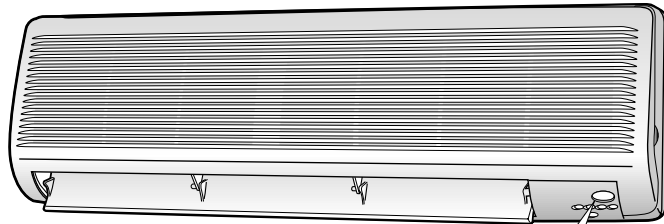


Note ◆ Both cooling only models and heat pump models use the same panel. However, the Removing frost indicator is not operated in the cooling only model.

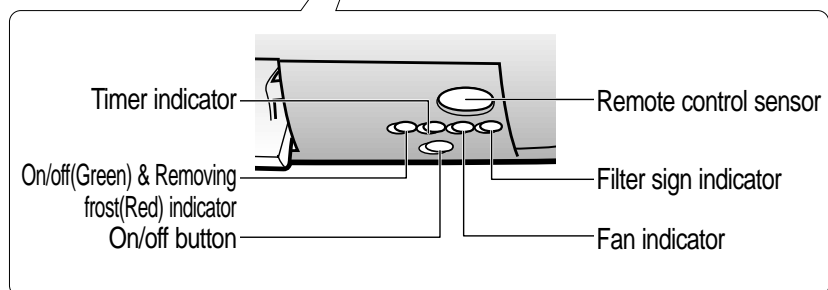
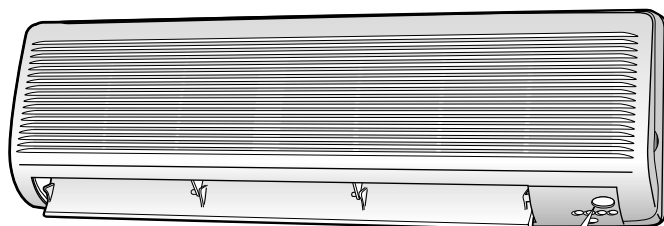
2-3. Wall-mounted type

(1) 2.0kW ~ 4.0kW

1) Cooling only



2) Heat pump

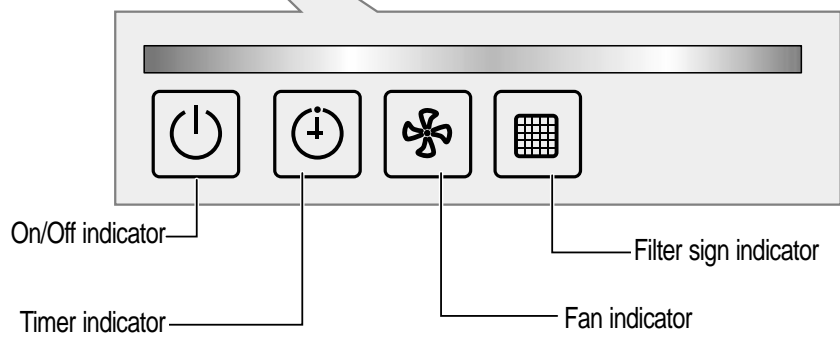
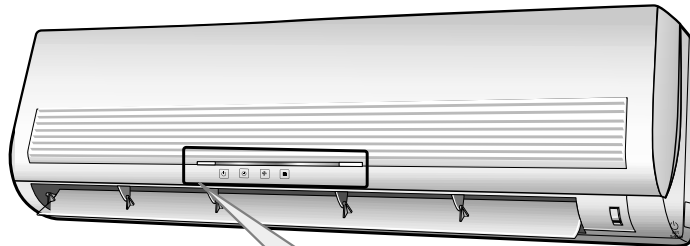




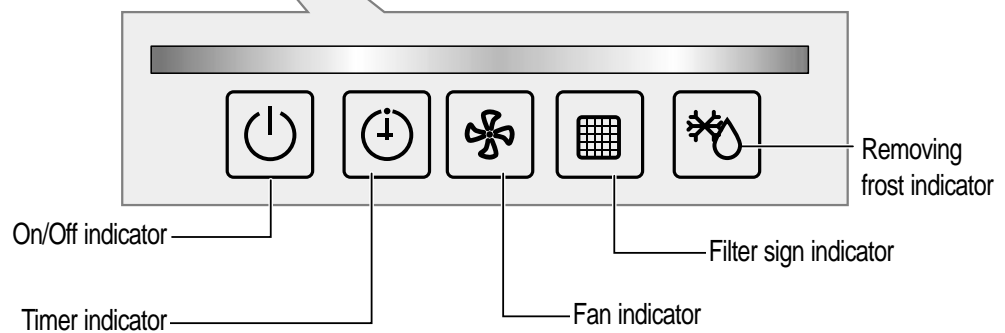
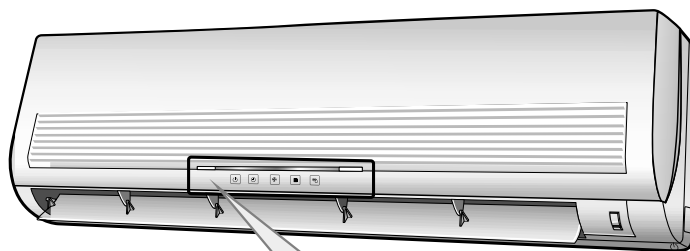
2. Display unit

(2) 5.2kW ~ 7.2kW

1) Cooling only

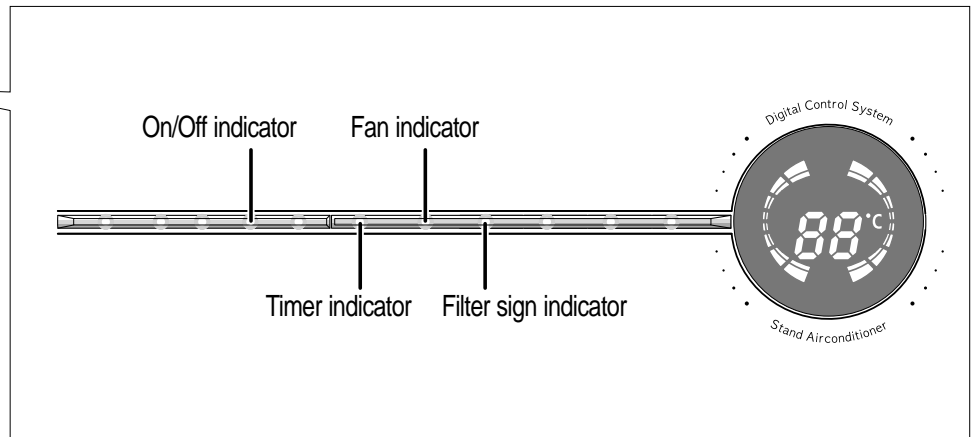
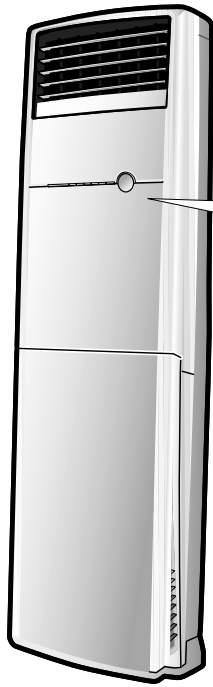


2) Heat pump

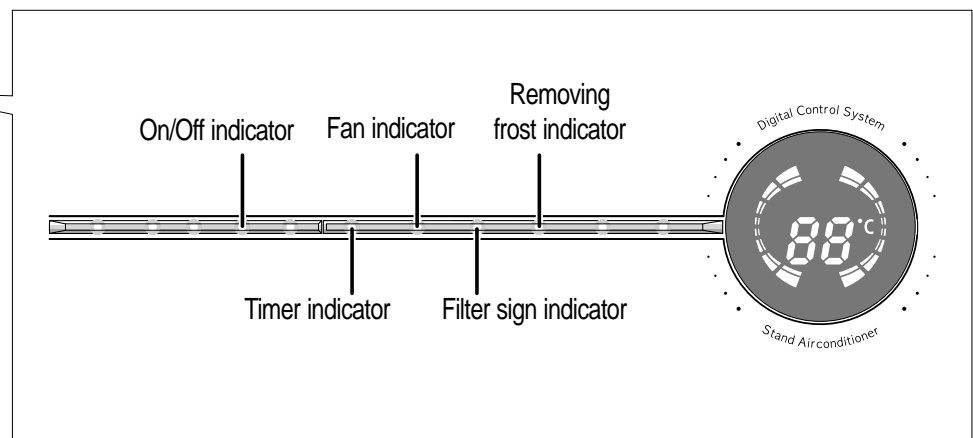
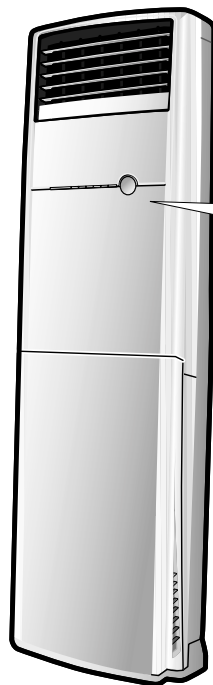


2-4. Floor standing type

(1) Cooling only



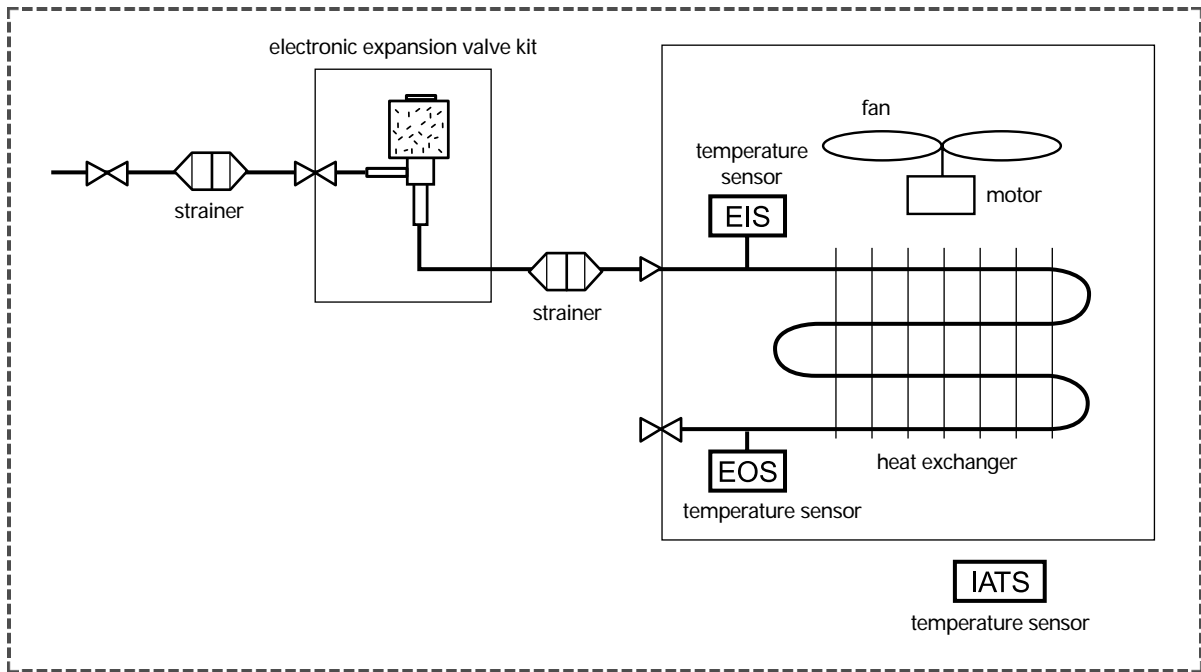
(2) Heat pump





3. Refrigerant system diagram(Cooling only & heat pump)

3-1. Refrigerant system diagram



3-2. Main parts status

(1) Temperature sensor (EIS, Evaporator Inlet Sensor)

The means to measure the refrigerant temperature at the inlet of heat exchanger which is used as the data for control of electronic expansion valve.

(2) Temperature sensor (EOS, Evaporator Outlet Sensor)

The means to measure the refrigerant temperature at the outlet of heat exchanger which is used as the data for control of electronic expansion valve.

(3) Temperature sensor (IATS, Indoor Air Temperature Sensor)

The means to measure the indoor temperature which is used as the data for operation method of indoor and outdoor unit.

(4) Electronic expansion valve (EEV) kit

For the MICOM of indoor unit to control the opening of electronic expansion valve by comparing the temperatures of inlet and outlet of heat exchanger for the optimum control of refrigerant flow.

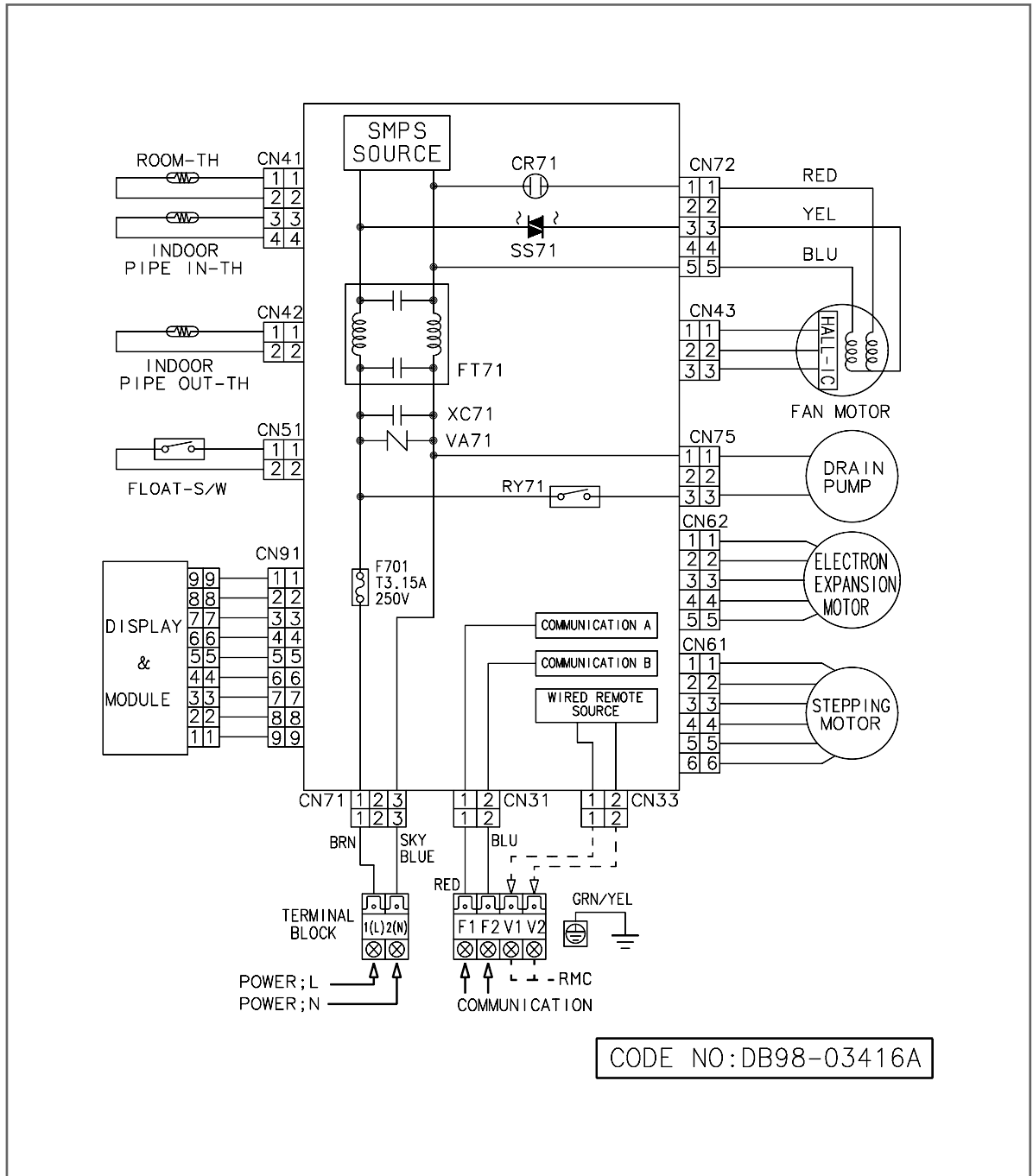
(5) Strainer

It has the structure in which the filter is inserted and it removes the foreign material from the piping inside.

4. Electric circuit diagram

4-1. 1-way cassette type

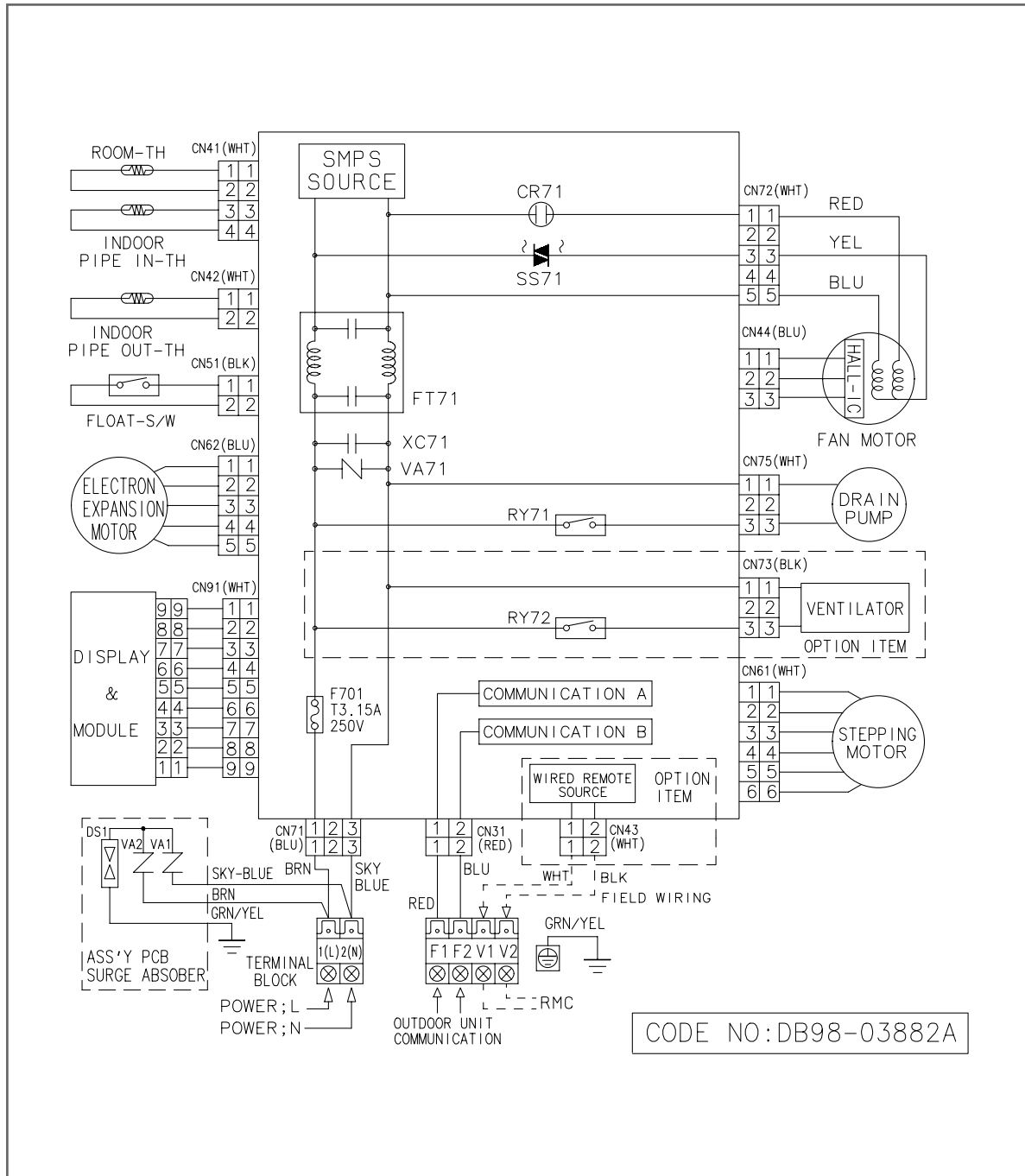
(1) Cooling only (AVMKC*)





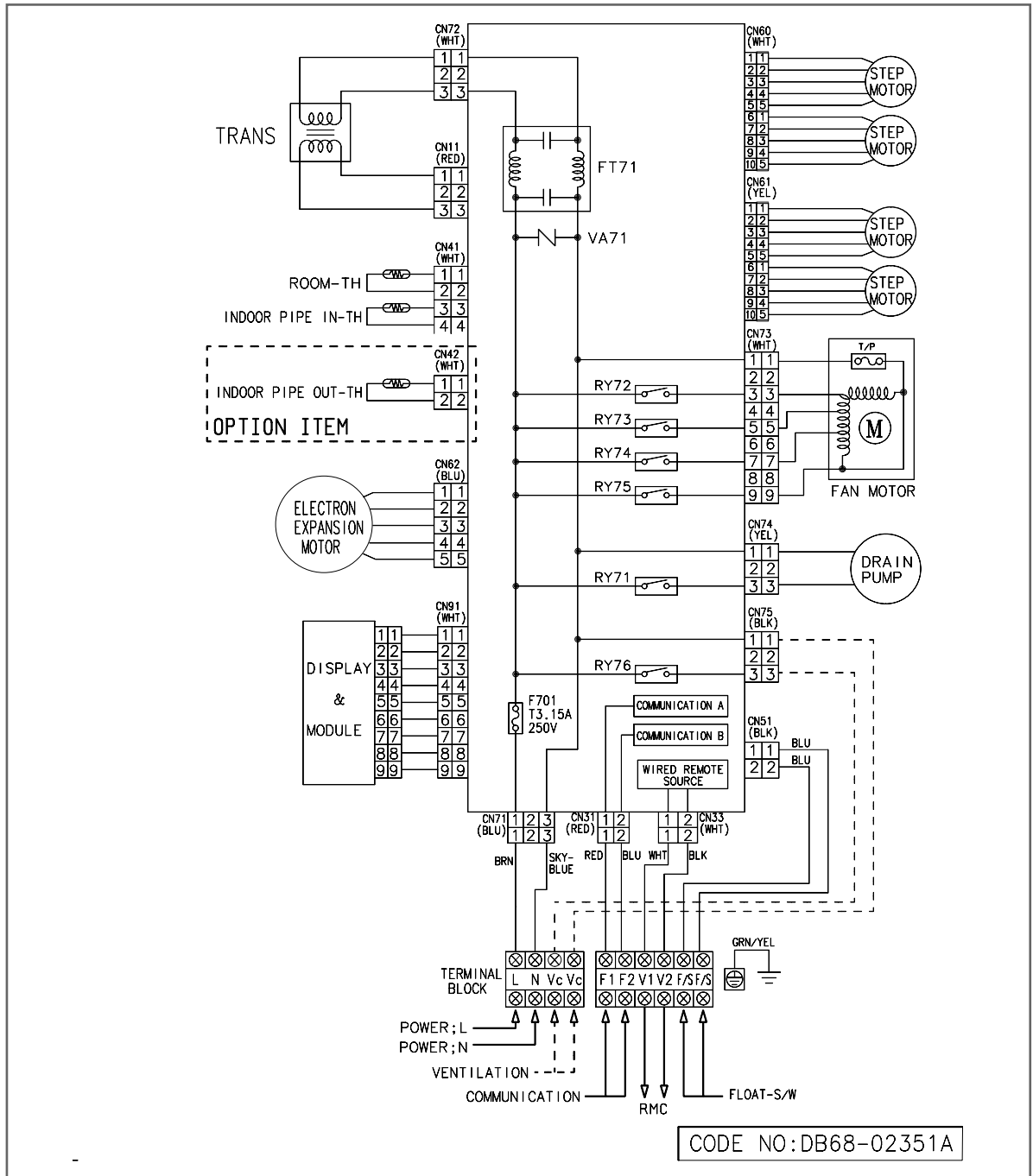
4. Electric circuit diagram

(2) Heat pump (AVMKH*)



4-2. 4-way cassette type

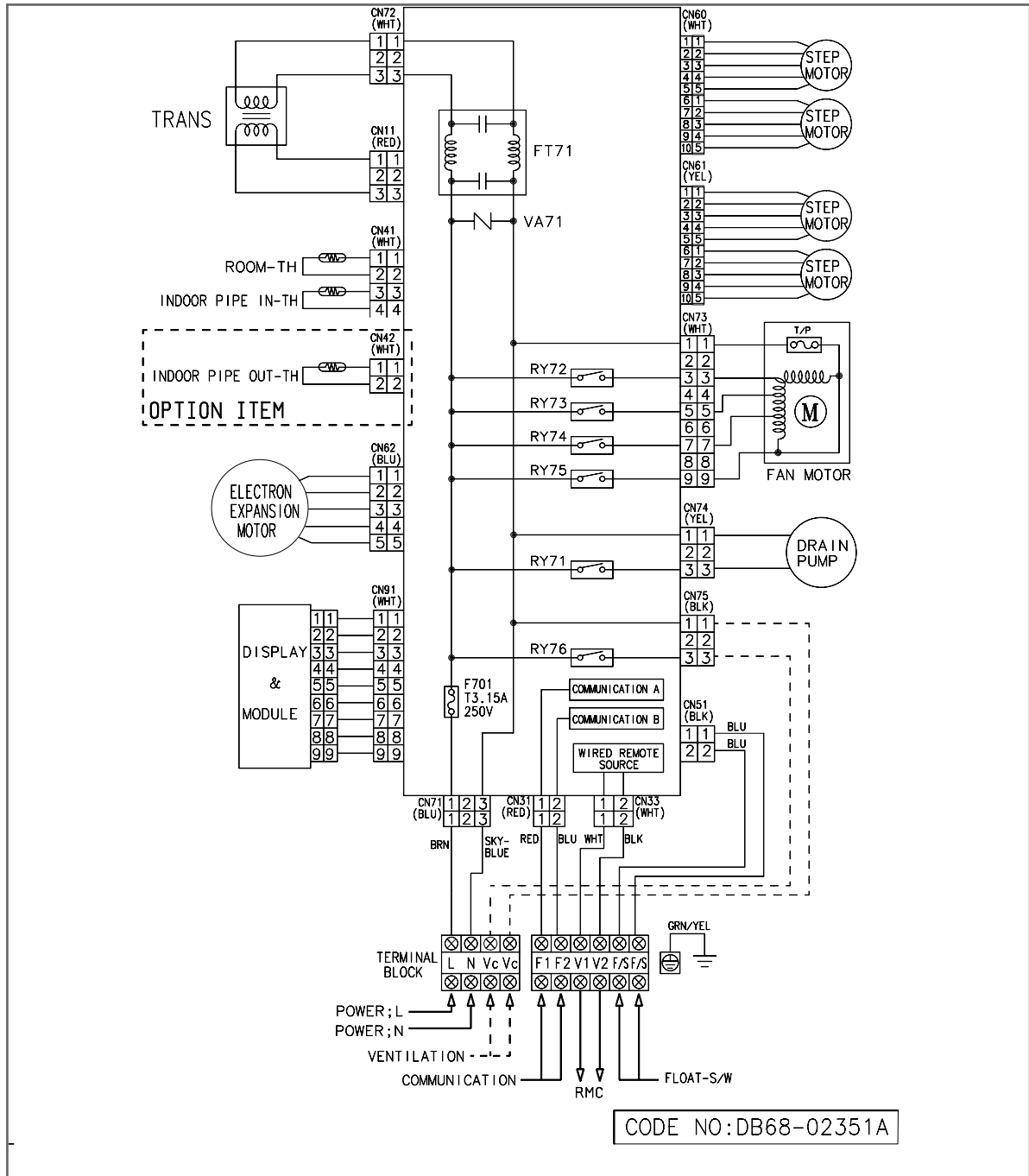
(1) Cooling only (AVMCC*)





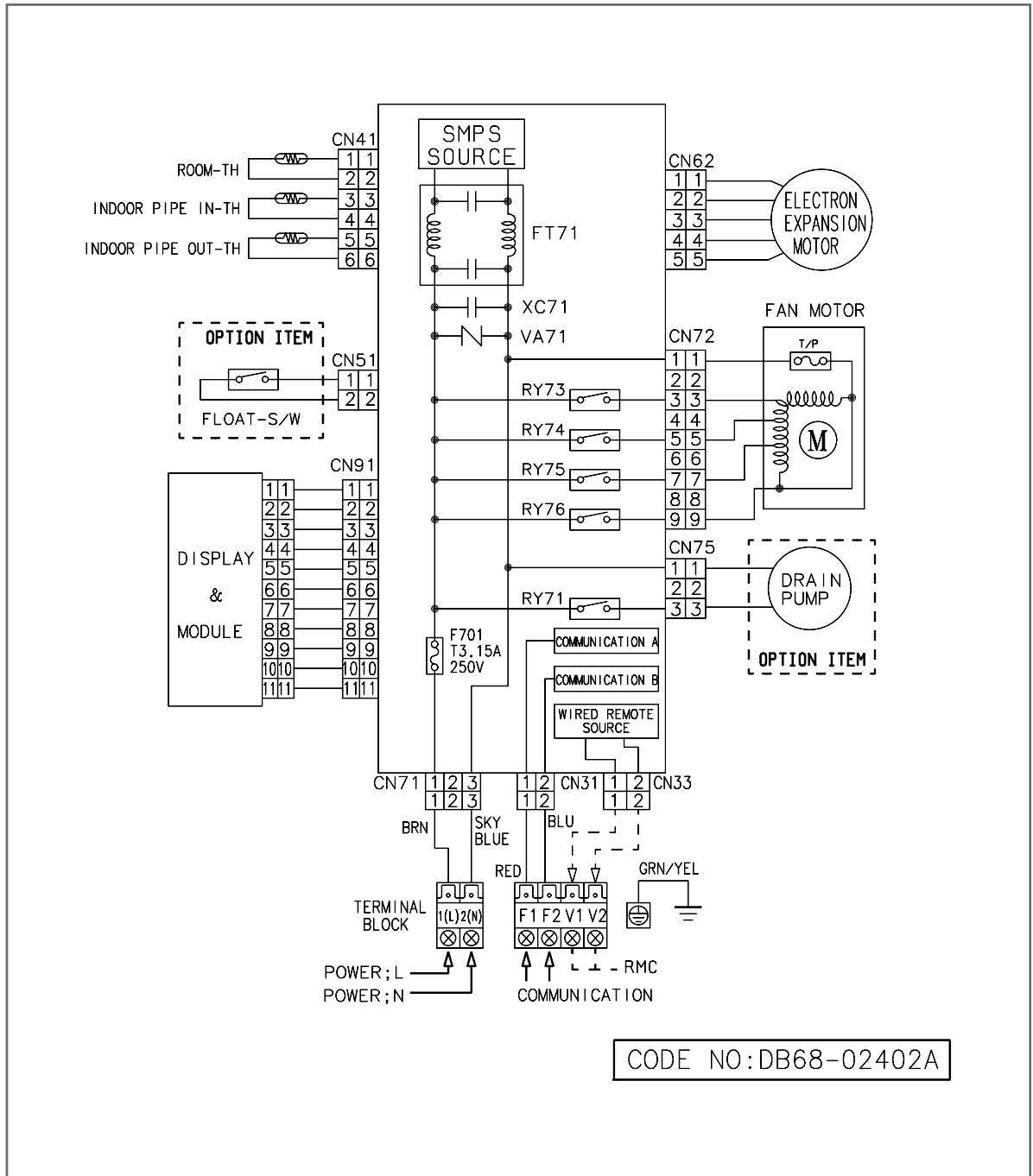
4. Electric circuit diagram

(2) Heat pump (AVMCH*)



4-3. Duct type

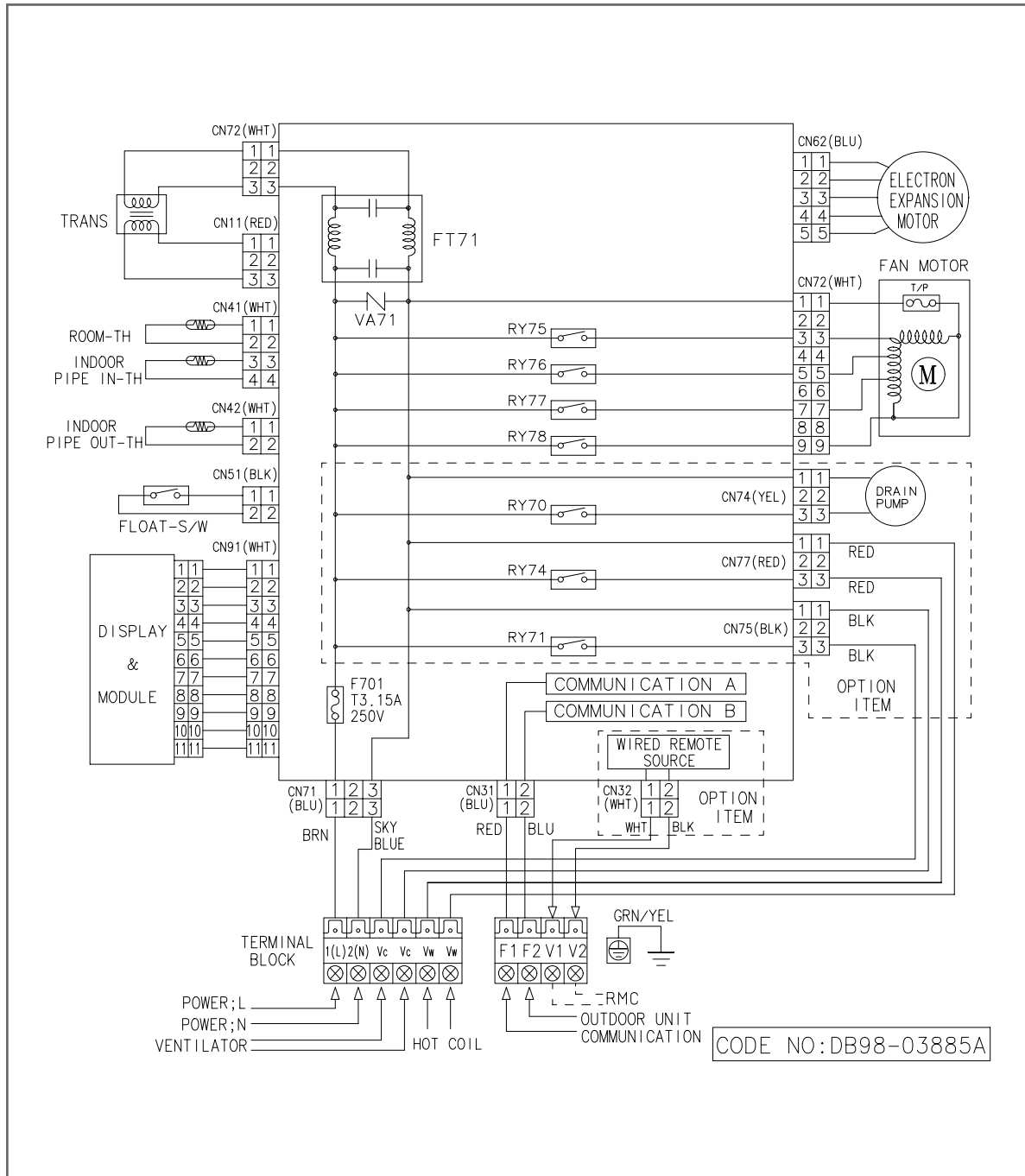
(1) Low silhouette & Built-in - Cooling only (AVMDC* / AVMBC*)



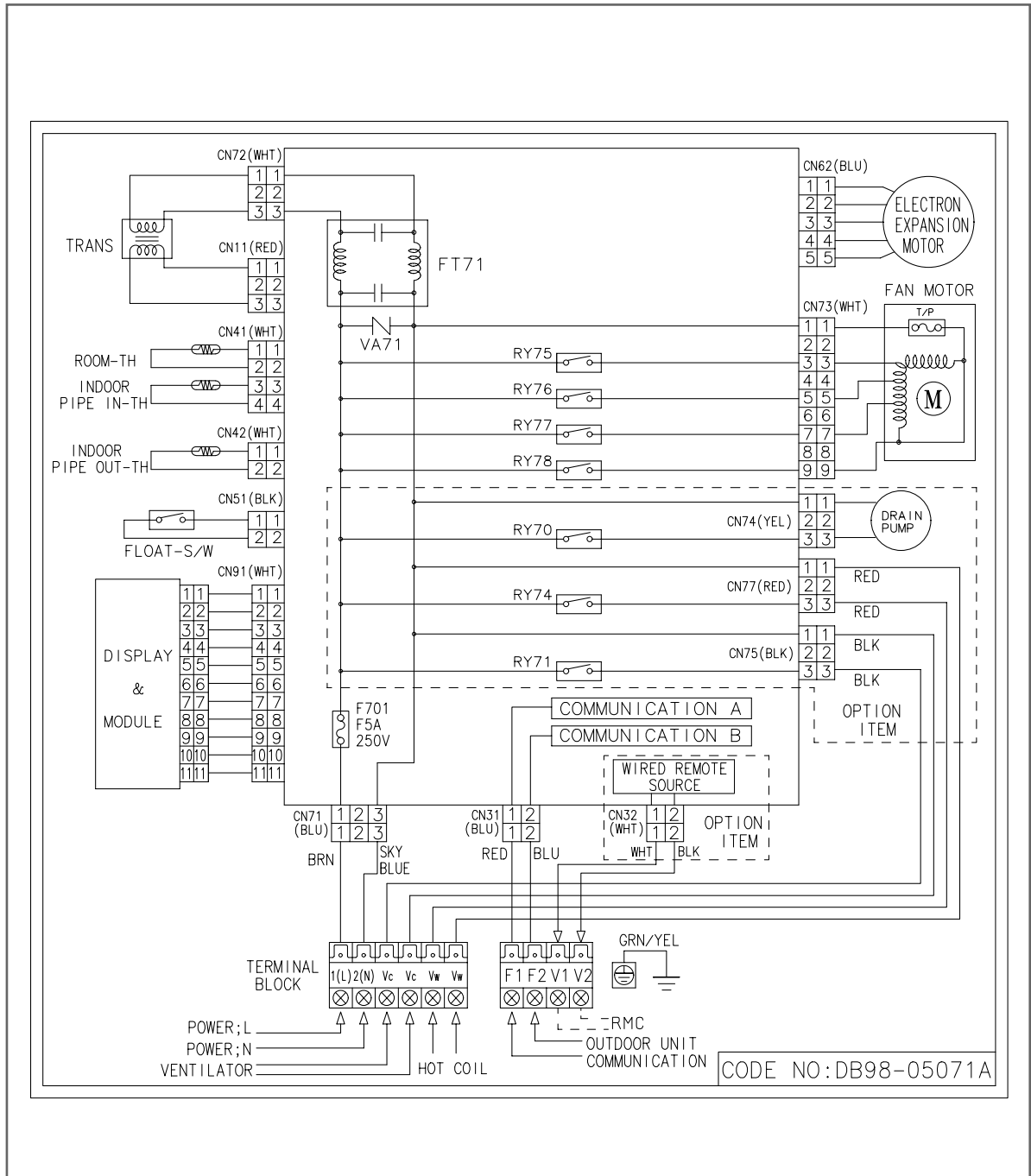


4. Electric circuit diagram

(2) Low silhouette & Built-in - Heat pump (AVMDH* / AVMBH*)



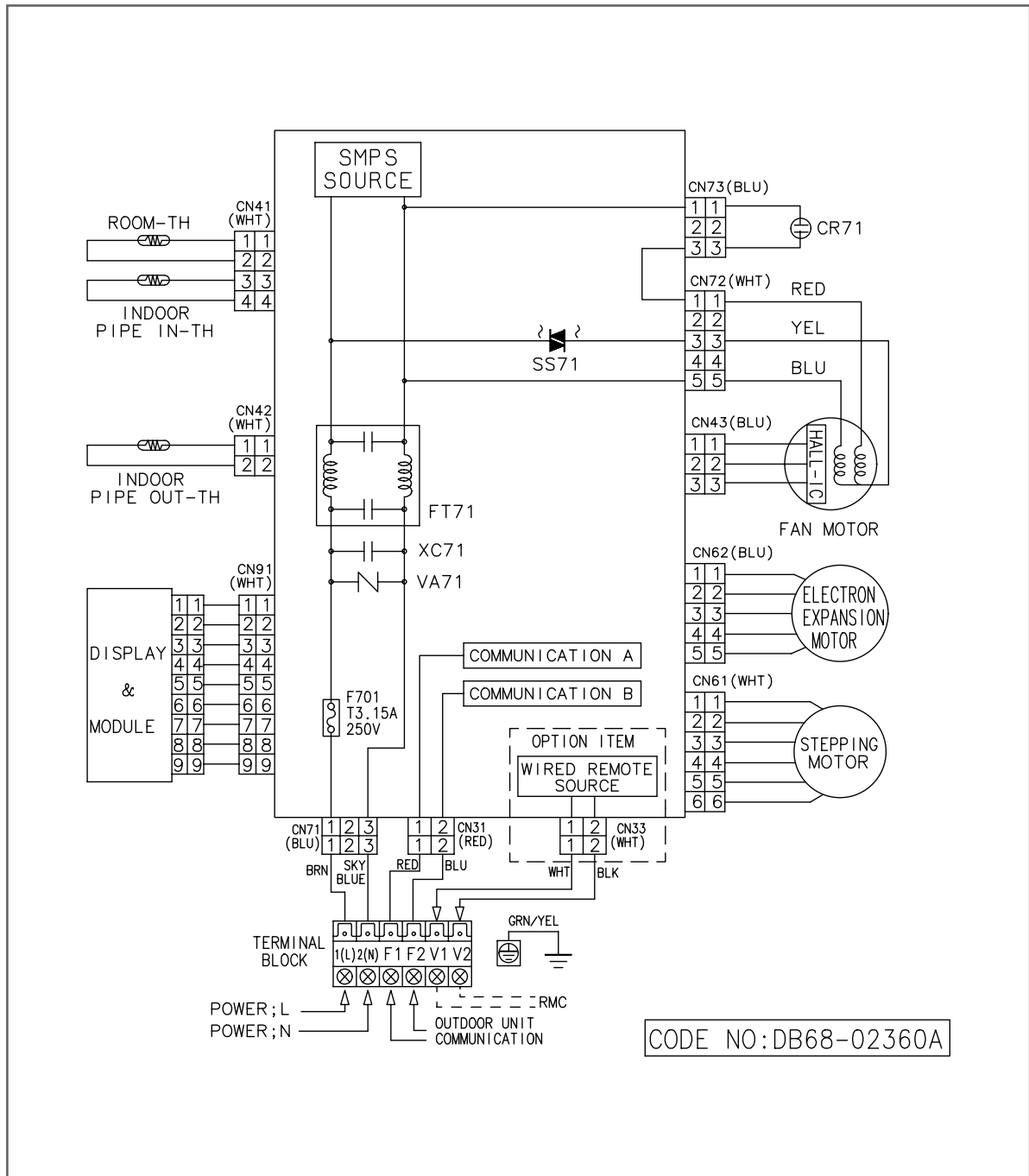
(3) High pressure (AVMHC* / AVMHH*)





4. Electric circuit diagram

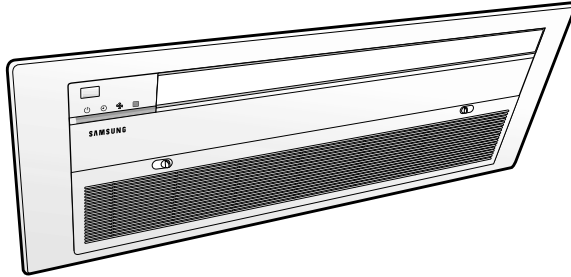
4-4. Wall-mounted type (AVMWC* / AVMWH*)



5. Panel

5-1. 1-way cassette type

(1) Design



(2) Status

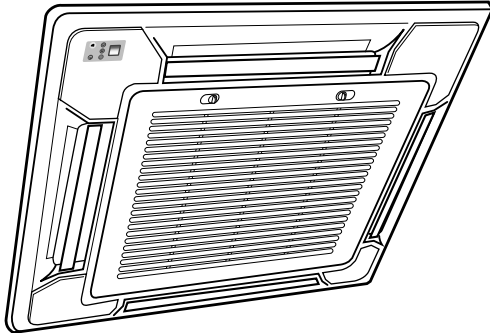
| Item | Model | Language (Manual) |
|--------------------------------|------------|---|
| Cooling only & Heat pump | MGKH118IE0 | English only |
| | MGKH118IM0 | English, Spanish, Italian, Portuguese, French, German, Greek, Russian |
| | MGKH118IA0 | English, Arabic, Spanish, French |
| | MGKH118IC0 | Chinese, English |
| | MGKH118IU0 | English, Spanish, French (°F & Inch) |



5. Panel

5-2. 4-way cassette type

(1) Design



(2) Status

| Item | Model | Language (Manual) |
|--------------------------------|------------|---|
| Cooling only & Heat pump | MGCH095IE0 | English only |
| | MGCH095IM0 | English, Spanish, Italian, Portuguese, French, German, Greek, Russian |
| | MGCH095IA0 | English, Arabic, Spanish, French |
| | MGCH095IC0 | Chinese, English |
| | MGCH095IU0 | English, Spanish, French (°F & Inch) |

6. Electronic expansion valve kit

6-1. Built-in type

| Model | Capacity | Remark |
|----------|---------------|-----------|
| MEV-14SA | 2.0kW ~ 4.0kW | |
| MEV-18SA | 5.2kW ~ 8.3kW | |
| MEV-24SA | 10.5kW ▲ | |
| MEV-14SB | 2.0kW ~ 4.0kW | for China |
| MEV-18SB | 5.2kW ~ 8.3kW | |
| MEV-24SB | 10.5kW ▼ | |

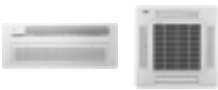


6-2. Distributor kit type

| Item | 14SA | | | 18SA | | | Remark |
|-------------|------|----|----|------|----|----|--------|
| | #1 | #2 | #3 | #1 | #2 | #3 | |
| MXD-14K300A | ○ | ○ | ○ | | | | |
| MXD-14K218A | ○ | ○ | | ○ | | | |
| MXD-18K214A | ○ | | | ○ | ○ | | |
| MXD-18K300A | | | | ○ | ○ | ○ | |
| MXD-14K200A | ○ | ○ | | | | | |
| MXD-14K118A | ○ | | | ○ | | | |
| MXD-18K200A | | | | ○ | ○ | | |







Note ◆ An electronic expansion valve can be applied to 1~3 indoor units.
If you want to install more indoor units, separate it properly.



7. Options

| Item | | Mandatory items | | | | |
|---------------------|----------------|--|---|---|-------------------|---|
| | | Panel  | Electronic expansion valve kit | | Remote controller | |
| | | | Built-in type*1)  | Distributor kit type  | | |
| 1-way cassette type | C/O | O | O | O | O | |
| | H/P | O | O | O | O | |
| 4-way cassette type | C/O | O | Integrated | X | O | |
| | H/P | O | Integrated | X | O | |
| Duct type | Low silhouette | C/O | - | Integrated | X | O |
| | | H/P | - | Integrated | X | O |
| | Built-in | C/O | - | Integrated | X | O |
| | | H/P | - | Integrated | X | O |
| | High pressure | C/O | - | Integrated | X | O |
| | | H/P | - | Integrated | X | O |
| Wall-mounted type | C/O | - | - | O | O | |
| | H/P | - | - | O | O | |
| Floor standing type | C/O | - | - | O | O | |
| | H/P | - | - | O | O | |
| Ceiling type | C/O | - | - | O | O | |
| | H/P | - | - | O | O | |

- Note**
- ◆ For specifications of panel and electronic expansion valve, refer to pages 111~113 at this chapter.
 - ◆ In case of the wireless remote controller, which is the option for duct type, wireless remote controller, receiver & display unit wire and receiver & display unit should be purchased together.
 - ◆ **These models are based on 9 languages and °C display. For other languages or temperature display, refer to “Numbering system of model” at chapter 1.**

| Item | | Optional items | | | | | | Fresh air intake | |
|---------------------|----------------|---|---|---|---|--|--|------------------|---|
| | | Drain pump  | Wireless remote controller  | Receiver & display unit wire  | Receiver & display unit (Concealed type)  | Receiver & display unit (Standard type)  | Wired remote controller  | | |
| 1-way cassette type | C/O | Integrated | MR-AC01 | - | - | - | MWR-AH01 | X | |
| | H/P | Integrated | MR-AH01 | - | - | - | MWR-AH01 | X | |
| 4-way cassette type | C/O | Integrated | MR-AC01 | - | - | - | MWR-AH01 | X | |
| | H/P | Integrated | MR-AH01 | - | - | - | MWR-AH01 | X | |
| Duct type | Low silhouette | C/O | MDP-075SA | MR-AC01 | MRW-10A | MRK-B00 | MRK-A00 | MWR-AH01 | O |
| | | H/P | MDP-075SA | MR-AH01 | MRW-10A | MRK-B00 | MRK-A00 | MWR-AH01 | O |
| | Built-in | C/O | MDP-075SB | MR-AC01 | MRW-10A | MRK-B00 | MRK-A00 | MWR-AH01 | O |
| | | H/P | MDP-075SB | MR-AH01 | MRW-10A | MRK-B00 | MRK-A00 | MWR-AH01 | O |
| | High pressure | C/O | MDP-H075SA | MR-AC01 | MRW-10A | MRK-B00 | MRK-A00 | MWR-AH01 | O |
| | | H/P | MDP-H075SA | MR-AH01 | MRW-10A | MRK-B00 | MRK-A00 | MWR-AH01 | O |
| Wall-mounted type | C/O | - | MR-AC01 | - | - | - | MWR-AH01 | X | |
| | H/P | - | MR-AH01 | - | - | - | MWR-AH01 | X | |
| Floor standing type | C/O | - | MR-AC01 | - | - | - | MWR-AH01 | X | |
| | H/P | - | MR-AH01 | - | - | - | MWR-AH01 | X | |
| Ceiling type | C/O | - | MR-AC01 | - | - | - | MWR-AH01 | X | |
| | H/P | - | MR-AH01 | - | - | - | MWR-AH01 | X | |

- Note**
- ◆ For specifications of panel and electronic expansion valve, refer to pages 111~113 at this chapter.
 - ◆ In case of the wireless remote controller, which is the option for duct type, wireless remote controller, receiver & display unit wire and receiver & display unit should be purchased together.
 - ◆ **These models are based on 9 languages and °C display. For other languages or temperature display, refer to “Numbering system of model” at chapter 1.**

IV

Outdoor unit

| | | |
|---|-------------------------------------|----|
| 1 | Functional parts and safety devices | |
| 2 | Refrigerant system diagram | |
| | 2-1. Cooling only | 7 |
| | 2-2. Heat pump | 10 |
| 3 | Electric circuit diagram | |
| | 3-1. Cooling only | 14 |
| | 3-2. Heat pump | 18 |
| 4 | Options | |