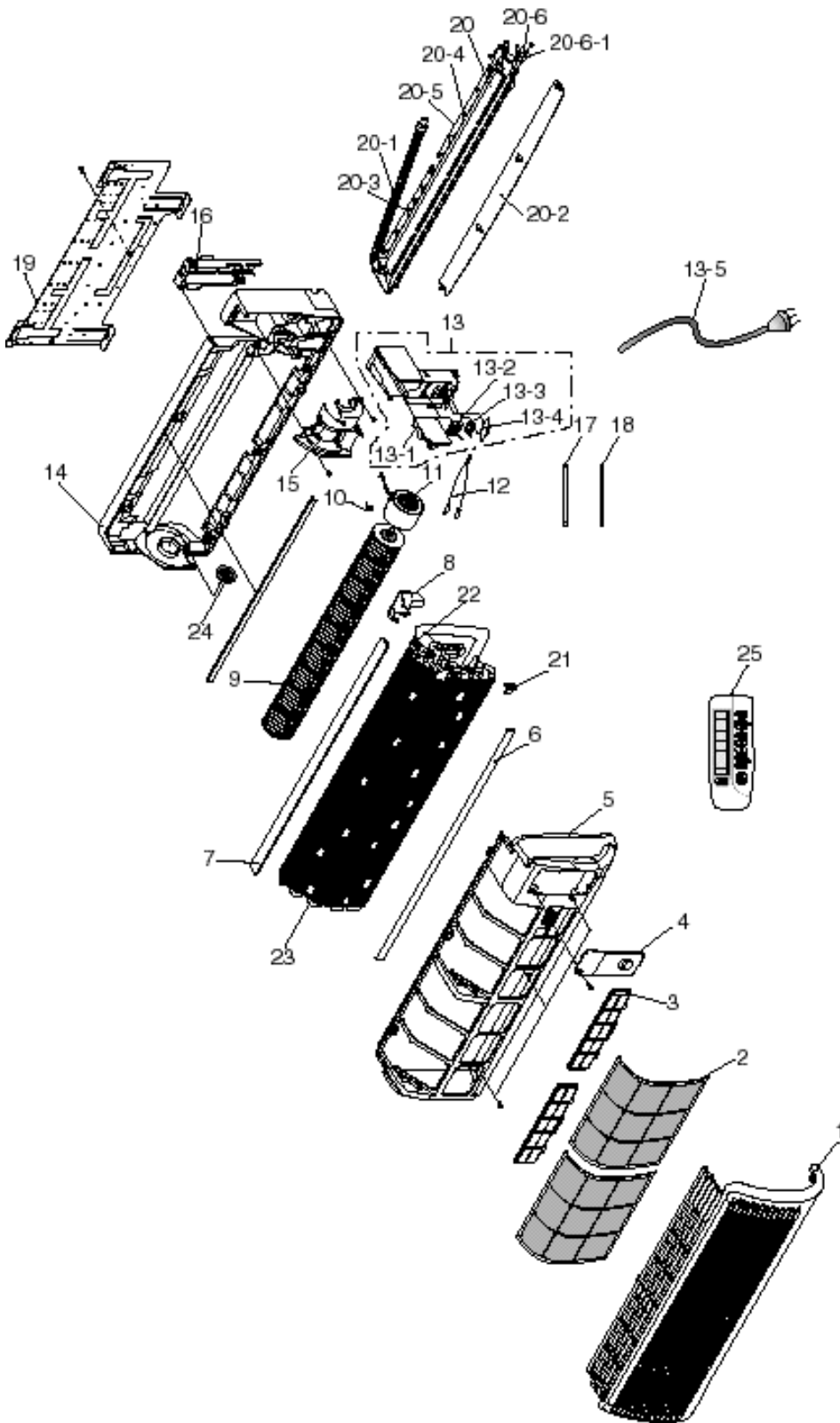

6. Exploded Views and Parts List

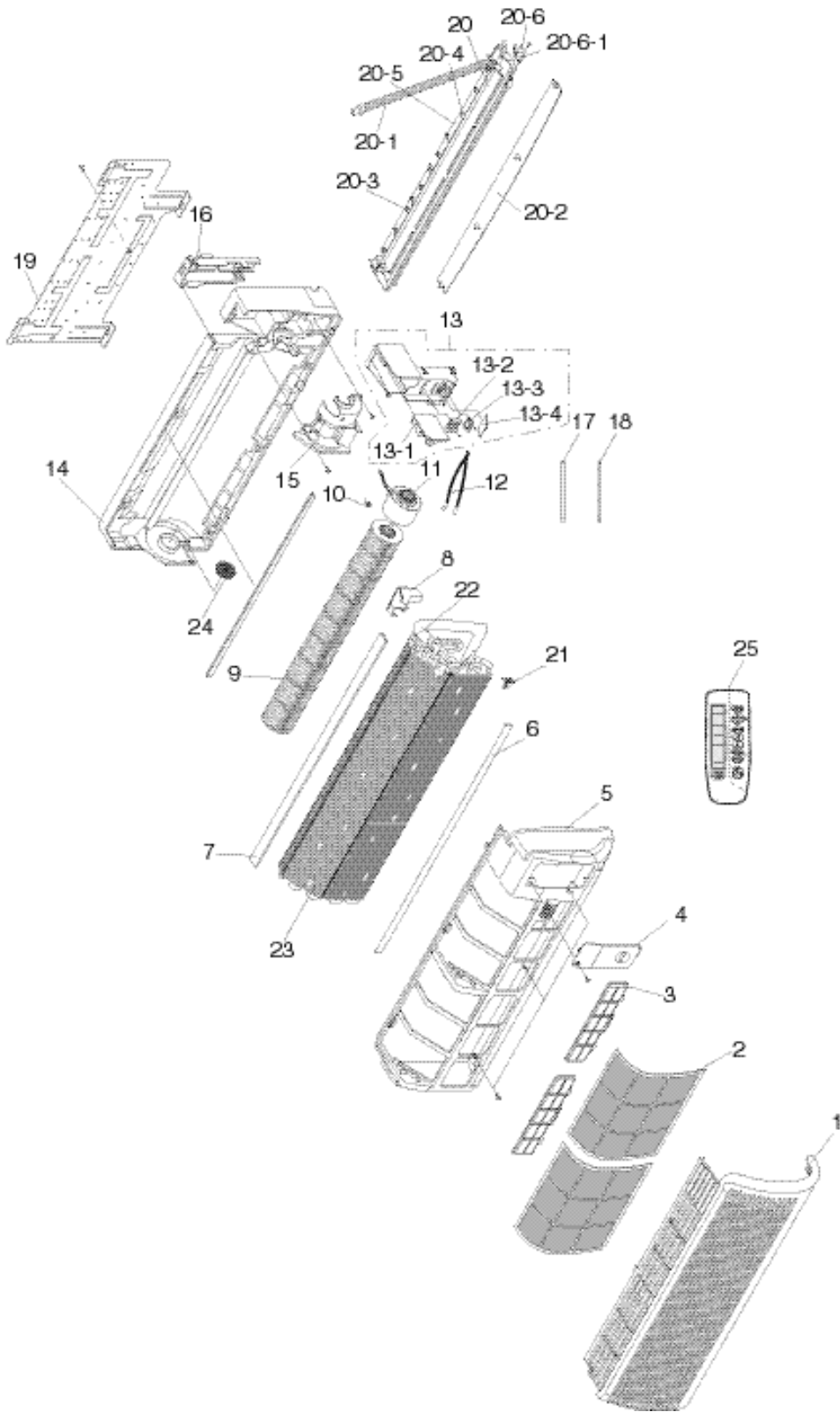
6-1 Indoor Unit



■ Parts List

No.	CODE NO	Description	Q'TY							
			AQ12A1(2)ME SH12ZA1(2)	AQ09A1(2)ME SH09ZA1(2)	AQ07A1(2)ME SH07ZA1(2)	AQ12AA3(4)ME SH12ZA3(4)	AQ12AA3(4)ME SH09ZA3(4)	AQ12AA3(4)ME SH07ZA3(4)	AQ09A1(2)MD	AQ12A1(2)MD
1	DB64-00085A	GRILLE AIR INLET	1	1	1		1	1	1	1
2	DB63-00064A	GUARD-AIR FILTER	2	2	2		2	2	2	2
3	DB74-00011A	FILTER CLEANER ASS'Y	1	1	1		1	1	1	1
4	DB63-00067A	COVER TERMINAL	1	1	1		1	1	1	1
5	DB92-00054A	ASS'Y PANEL SVC	1	1	1		1	1	1	1
6	DB67-00051A	SPACER EVAP LOW	1	1	1		1	1	1	1
7	DB67-00032A	SPACER EVAP UP	1	1	1		1	1	1	1
8	DB63-00083A	COVER U BEND	1	1	1		1	1	1	1
9	DB94-00020A	ASS'Y FAN CROSS	1	1	1		1	1	-	-
	DB94-00040E	ASS'Y FAN CROSS	-	-	-		-	-	1	1
10	DB60-20011A	BOLT SPECIAL	1	1	1		1	1	1	1
11	DB31-00033A	MOTOR FAN IN	1	1	1		1	1	1	1
12	DB32-00020A	THERMISTOR WIRE ASS'Y	1	1	1		1	1	1	1
13	DB93-00255A	ASS'Y CONTROL IN	1	1	1		1	1	1	1
13-1	DB93-00267A	ASS'Y PCB MAIN	1	1	1		1	1	1	1
	DB93-00267B	ASS'Y PCB MAIN(GOST APROVED MODEL ONLY)							-	-
13-1-1	1103-001175	IC EPROM	1	1	1		1	1	1	1
13-1-2	1203-001813	IC PWM CONTROLLER	1	1	1		1	1	1	1
13-1-3	3501-001154	RELAY MINIATURE	1	1	1		1	1	1	1
13-1-4	3502-000115	SSR	1	1	1		1	1	1	1
13-1-5	DB09-00045A	IC MCU	1	1	1		1	1	1	1
13-2	DB65-00030A	TERMINAL BLOCK ASS'Y	1	1	1		1	1	1	1
13-3	DB61-00171A	HOLDER WIRE CLAMP	1	1	1		1	1	1	1
13-4	DB93-00268A	ASS'Y PCB DISPLAY	1	1	1		1	1	1	1
13-4-1	2202-000780	C CERAMIC,MLC-AXIAL	1	1	1		1	1	1	1
13-4-2	DB32-00014A	MODULE REMOCON	1	1	1		1	1	1	1
13-5	DB39-10090E	POWER CORD-ASS'Y	-	-	-		-	-	1	1
14	DB94-00019A	ASS'Y BACK BODY(LEFT SIDE)	1	1	1				1	1
	DB94-00056A	ASS'Y BACK BODY(RIGHT SIDE)					1	1	-	-
15	DB61-00162A	HOLDER MOTOR	1	1	1		1	1	1	1
16	DB61-00165A	HOLDER PIPE	1	1	1		1	1	1	1
17	DB39-00146A	CONNECT WIRE DISPLAY	1	1	1		1	1	1	1
18	DB39-00147A	CONNECT WIRE PCB	1	1	1		1	1	1	1
19	DB70-00036A	PLATE HANGER	1	1	1		1	1	1	1
20	DB94-00017A	ASS'Y TRAY DRAIN(LEFT SIDE)	1	1	1		1	1	1	1
20-1	DB94-00018A	ASS'Y DRAIN HOSE	1	1	1		1	1	1	1
20-2	DB66-00042A	BLADE H	1	1	1		1	1	1	1
20-3	DB66-00043A	BLADE V,A	3	3	3		3	3	3	3
20-4	DB66-00043B	BLADE V,B	6	6	6		6	6	6	6
20-5	DB63-00082A	SCREEN SAFETY WIRE	1	1	1		1	1	1	1
20-6	DB95-20138A	ASS'Y MOTOR STEPPING	1	1	1		1	1	1	1
20-6-1	DB31-10129A	MOTOR STEPPING; GSP 24RW	1	1	1		1	1	1	1
21	DB61-40251A	HOLDER SENSOR	1	1	1		1	1	1	1
22	DB67-60030A	SPRING SENSOR	1	1	1		1	1	1	1
23	DB75-00020A	EVAPORATOR ASS'Y	1	1	1		1	1	1	-
	DB75-00055A								-	1
24	DB94-40003A	ASS'Y BEARING	1	1	1		1	1	1	1
25	DB93-00251L	ASS'Y REMOCON	1	1	1		1	1	1	1
	DB93-00251T	ASS'Y REMOCON	-	-	-		-	-	1	1

6-1 Indoor Unit

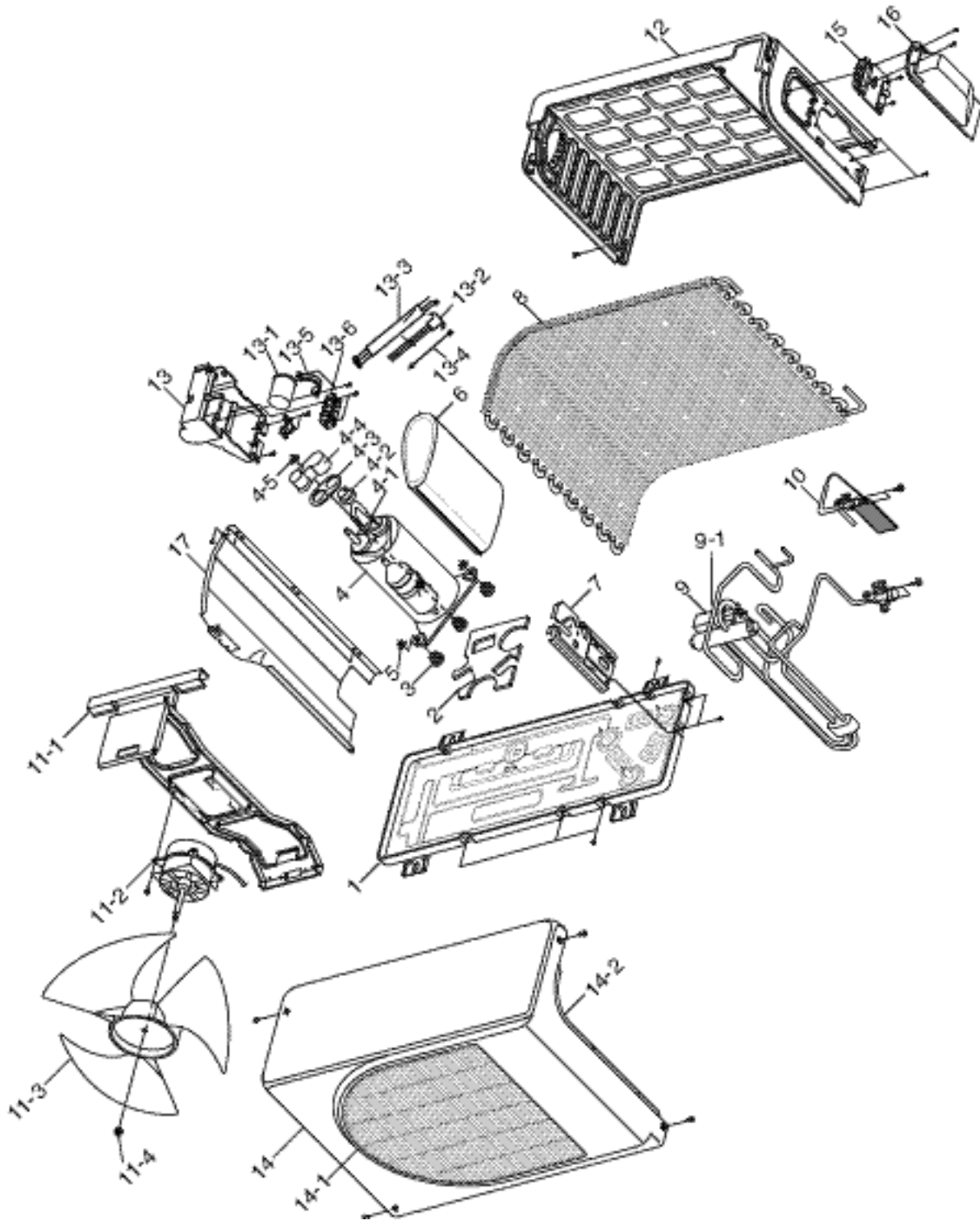


■ Parts List

No.	CODE NO	Description	Q'TY					
			SH12ZA1(2)A	SH09ZA1(2)A	SH07ZA1(2)A	SH12ZA3(4)A	SH09ZA3(4)A	SH07ZA3(4)A
1	DB64-00085A	GRILLE AIR INLET	1	1	1		1	1
2	DB63-00064A	GUARD-AIR FILTER	2	2	2		2	2
3	DB74-00011A	FILTER CLEANER ASS'Y	1	1	1		1	1
4	DB63-00067A	COVER TEMINAL	1	1	1		1	1
5	DB92-00054A	ASS'Y PANEL SVC	1	1	1		1	1
6	DB67-00051A	SPACER EVAP LOW	1	1	1		1	1
7	DB67-00032A	SPACER EVAP UP	1	1	1		1	1
8	DB63-00083A	COVER U BEND	1	1	1		1	1
9	DB94-00020A	ASS'Y FAN CROSS	1	1	1		1	1
10	DB60-20011A	BOLT SPECIAL	1	1	1		1	1
11	DB31-00033A	MOTOR FAN IN	1	1	1		1	1
12	DB32-00020A	THERMISTOR WIRE ASS'Y	1	1	1		1	1
13	DB93-00255A	ASS'Y CONTROL IN	1	1	1		1	1
13-1	DB93-00267A	ASS'Y PCB MAIN	1	1	1		1	1
	DB93-00267B	ASS'Y PCB MAIN(GOST APROVEDMODEL ONLY)						
13-1-1	1103-001175	IC EPROM	1	1	1		1	1
13-1-2	1203-001813	IC PWM CONTROLLER	1	1	1		1	1
13-1-3	3501-001154	RELAY MINIATURE	1	1	1		1	1
13-1-4	3502-000115	SSR	1	1	1		1	1
13-1-5	DB09-00045A	IC MCU	1	1	1		1	1
13-2	DB65-00030A	TERMINAL BLOCK ASS'Y	1	1	1		1	1
13-3	DB61-00171A	HOLDER WIRE CLAMP	1	1	1		1	1
13-4	DB93-00268A	ASS'Y PCB DISPLAY	1	1	1		1	1
13-4-1	2202-000780	C CERAMIC,MLC-AXIAL	1	1	1		1	1
13-4-2	DB32-00017A	MODULE REMOCON	1	1	1		1	1
14	DB94-00019A	ASS'Y BACK BODY(LEFT SIDE)	1	1	1		1	1
	DB94-00056A	ASS'Y BACK BODY(RIGHT SIDE)						
15	DB61-00162A	HOLDER MOTOR	1	1	1		1	1
16	DB61-00165A	HOLDER PIPE	1	1	1		1	1
17	DB39-00146A	CONNECT WIRE DISPLAY	1	1	1		1	1
18	DB39-00147A	CONNECT WIRE PCB	1	1	1		1	1
19	DB70-00036A	PLATE HANGER	1	1	1		1	1
20	DB94-00058A	ASS'Y TRAY DRAIN (RIGHT SIDE)	1	1	1		1	1
20-1	DB94-00018A	ASS'Y DRAIN HOSE	1	1	1		1	1
20-2	DB66-00042A	BLADE H	1	1	1		1	1
20-3	DB66-00043A	BLADE V,A	3	3	3		3	3
20-4	DB66-00043B	BLADE V,B	6	6	6		6	6
20-5	DB63-00082A	SCREEN SAFETY WIRE	1	1	1		1	1
20-6	DB95-20138A	ASS'Y MOTOR STEPPING	1	1	1		1	1
20-6-1	DB31-10129A	MOTOR STEPPING; GSP 24RW	1	1	1		1	1
21	DB61-40251A	HOLDER SENSOR	1	1	1		1	1
22	DB67-60030A	SPRING SENSOR	1	1	1		1	1
23	DB75-00020A	EVAPORATOR ASS'Y	1	1	1		1	1
24	DB94-40003A	ASS'Y BEARING	1	1	1		1	1
25	DB93-00251L	ASS'Y REMOCON	1	1	1		1	1

6-2 Outdoor Unit

- SH07ZA3(4)X/UQ07A3(4)ME
- SH09ZA3(4)X/UQ09A3(4)ME

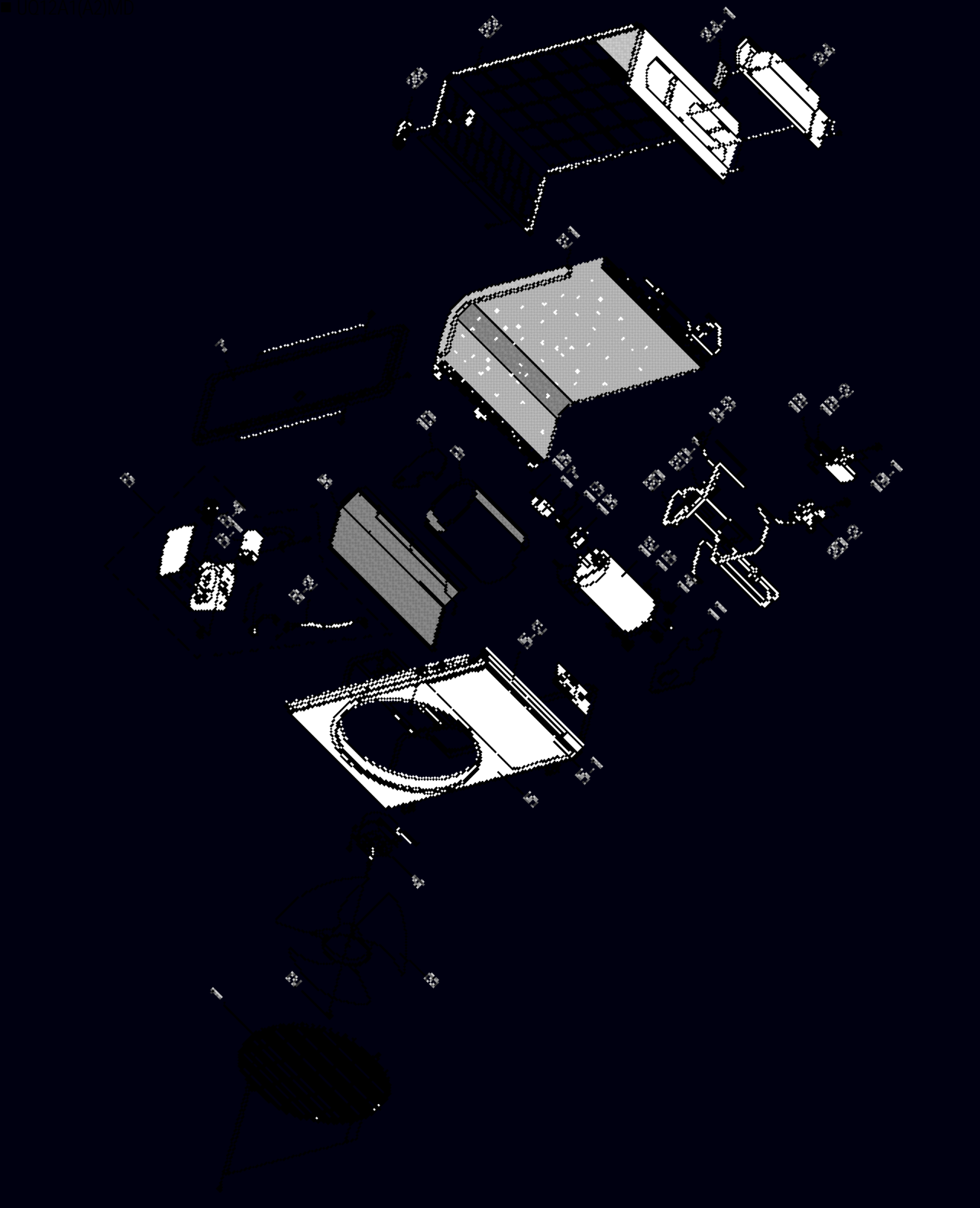


■ Parts List

No.	CODE NO	Description	Q'TY		
			Mold		
			SH12ZA3(4)X UQ12A3(4)ME	SH09ZA3(4)X UQ09A3(4)ME	SH07ZA3(4)X UQ07A3(4)ME
1	DB90-00107A	ASS'Y BASE OUT		1	1
2	DB72-00145A	CLOTH COMP LOW		1	1
3	DB73-10004B	GROMMET ISOLATOR		3	3
4	44B102JW1JL	ROTARY COMP		1	-
	44B080JW1JL	ROTARY COMP		-	1
4-1	DB67-60020A	SPRING OLP		1	-
4-2	DB35-00010E	PROTECTOR O/L;MRA12110-12008		1	-
	DB35-00010F	PROTECTOR O/L;MRA12086-12008		-	1
4-3	DB63-20002A	GASKET;EPDM		1	1
4-4	DB63-10165B	COVER TERMINAL		1	-
4-5	DB60-30018A	NUT FLANGE		1	1
5	DB60-30028A	NUT WASHER		3	1
6	DB72-00162A	CLOTH COMP SIDE		1	1
7	DB61-00168A	BRAKET VALVE		1	3
8	DB75-00029A	CONDENSER ASS'Y		1	1
9	DB96-00193A	ASS'Y 4WAY VALVE		1	1
9-1	DB33-00002A	SOLENOIDE COIL ASS'Y		1	1
10	DB96-00195A	ASS'Y TUBE CAPLLARY		1	1
11-1	DB90-00110A	ASS'Y BRACKET MOTOR		1	1
11-2	DB31-00034A	MOTOR FAN OUT		1	1
11-3	DB67-00036A	FAN PROPELLER		1	1
11-4	DB60-30004A	NUT FLANGE		1	1
12	DB90-00109A	ASS'Y CABI SIDE		1	1
13	DB93-00256A	ASS'Y CONTROL OUT;9K		1	1
	DB93-00256B	ASS'Y CONTROL OUT;7K,12K		-	1
13-1	2501-001199	COIL;40/1.5μF,400VAC		1	-
	2501-001217	COIL;35/1.5μF,400VAC		-	1
13-2	DB39-00150A	CONNECT WIRE FAN;3P		1	-
13-3	DB39-00161A	CONNECT WIRE COMP ASS'Y		1	1
13-4	DB39-20378A	CONNECT WIRE CAPACITOR		1	1
13-5	DB61-00174A	HOLDER CAPACITOR		1	1
13-6	DB65-40049D	TERMINAL BLOCK;4P		1	1
14	DB90-00108A	ASS'Y CABI FRONT		1	1
14-1	DB63-00099A	GUARD FAN WIRE		1	1
14-2	DB61-00173A	GUIDE BELL MOUTH		1	1
15	DB90-00152A	ASS'Y COVER CONTROL		1	1
16	DB94-00021A	ASS'Y COVER VALVE		1	1
17	DB94-00045A	ASS'Y PARTITION;7K,9K		1	1

6-3 Outdoor Unit

- UQ12A1(A2)ME
- SH12ZA1(A2)X
- SH12ZA1(A2)XA

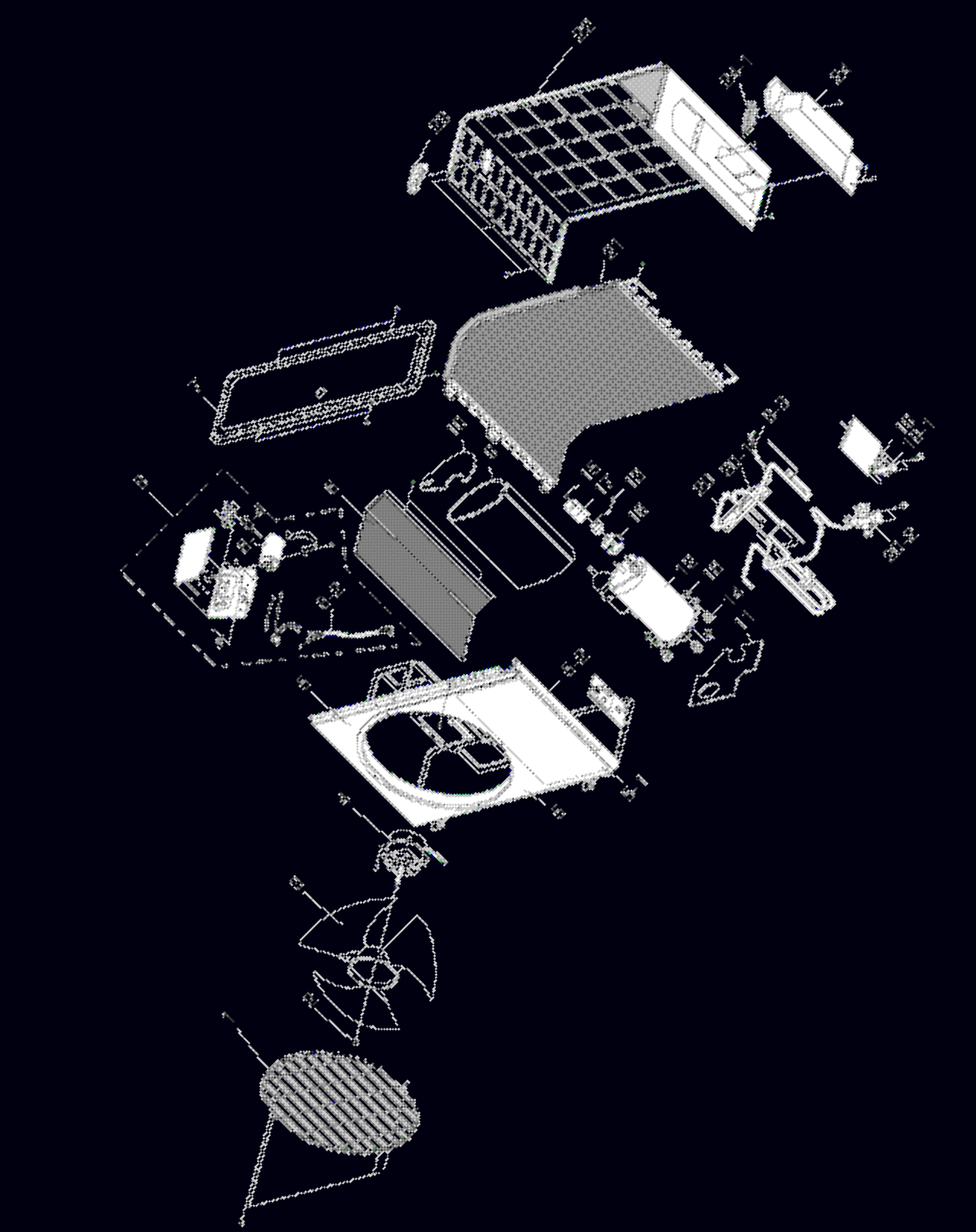


■ Parts List

No.	CODE NO	Description	Specitication	Q'TY		
				SH12ZA1(A2)X	U012A1(A2)ME SH12ZA1(A2)XA	U012A1(A2)MD
1	DB63-00071A	GUARD-FAN	HSER, IP2, SC-90073T, NEW V-P/J 405FAN	1	1	1
2	DB60-30004A	NUT-FLALNGE	2C, M6, SM20C, NTR	1	1	1
3	DB67-50063A	FAN-PROPELLER	AS+G/F20%, PI 405, BLK	1	1	1
4	DB31-10058C	MOTOR-FAN OUT	AMASS-020WTVA, FAN OUT, 220/240	1	1	1
5	DB90-00147B	ASS'Y FRAME	V2 P/D, 48F, SAMSUNG, SILK	1	1	1
5-1	DB72-00194M	SEAL-CABI FRONT	FELT+PVC, T7.0	1	1	1
5-2	DB72-00194J	SEAL-FRONT, RH	30FOAM-PU, T15, 15, 400, BLK	1	1	1
6	DB94-00043F	ASS'Y PARTITION	V2 P/D, 12K, 2ROW COND	1	1	1
7	DB90-00150B	ASS'Y CABI-UPPER	V2 P/D, SC90073 T+FOAM-PU	1	1	1
8	DB93-00293G	ASS'Y CONTROL OUT	SH12ZA1X	1	-	-
	DB93-00293C	ASS'Y CONTROL OUT	SH12ZA1XA	-	1	-
	DB93-00293E	ASS'Y CONTROL OUT	AQ12A2MD	-	-	1
8-1	2501-001145	C-OIL	30/1.2μF, 450VAC, BK, 50 x 95mm, 20.6	1	1	1
8-2	DB93-00294B	ASS'Y LEAD WIRE	V2 P/D, HEATPUMP	1	1	1
8-3	DB33-00007A	SOLENOID ASS'Y	220-240, 6W, LB81 RANCO	1	1	1
8-4	DB65-40049D	TERMINAL BLOCK	4P, (N1), 1, 2, 3, AWG16, 67.5 x 29.4	1	1	1
9	DB72-00238A	CLOTH-COMP	8t, 255, 600, 48FJL, ACCUM COMP	1	-	-
	DB72-00238B	CLOTH-COMP	8t, 285, 600, ECF160111A, CARRIER	-	1	-
	DB72-00211A	CLOTH-COMP	8t, 255, 580, 48FJL, ACCUM COMP	-	-	1
10	DB72-00255A	CLOTH-COMP UPPER	FELT + T10	1	-	1
	DB72-00278A	CLOTH-COMP UPPER	FELT + T10	-	1	-
11	DB72-00196A	CLOTH-COMP BOTTOM	10, 229.6, 217.2, AQV12A2ME	1	1	1
12	48A124JV1JL	ROTARY COMP	1ph, 208-240V-, 50Hz, 124000BTU	1	-	-
	DB95-00122A	ROTARY COMP	ECF160 111A	-	1	-
	48A124MV1JL	ROTARY COMP	1pr, 200-220V, 50Hz, 124000BTU	-	-	1
13	DB35-00010B	PROTECTOR O/L	78, 155, MRA12030-12008, 23.3A/6-16Sec	1	-	-
	DB47-00007A	PROTECTOR O/L	MRA98881-696	-	1	-
	DB35-00010A	PROTECTOR O/L	MRA98706-12008, 68, 160, 26A/6-16sec	-	-	1
14	DB73-10004B	GROMMET-ISOLATOR	SILICON	3	3	3
15	DB60-30018A	NUT-FLANGE	PI0.8, M5, SM20C	1	1	1
16	DB63-20002A	GASKET	EPDM, TO.8	1	-	1
17	DB63-10165D	COVER-TERMINAL	PBT	1	-	1
18	DB60-30028A	NUT-WASHER	HEX, 2C, MB, ZPC	3	3	3
19	DB99-00060A	ASS'Y VALVE, CHECK	AQ12A2ME, CHECK-V/V_1/4"	1	1	-
	DB99-00060B	ASS'Y VALVE, CHECK	AQ12A2MD, CHECK-V/V_1/4"	-	-	1
19-1	DB62-00254A	VALVE-SERVICE 1/4"	ASS'Y, 1/4", 45KG/CM2G	1	1	1
19-2	DB62-40034A	VALVE-CHECK	1/2", 30KG/CM2G	1	1	1
20	DB99-00059A	ASS'Y VALVE 4WAY	SH12ZA1X, VK1100B+1/2"+TUBE	1	-	-
	DB99-00068A	ASS'Y VALVE 4WAY	SH12ZA1XA, VK1100B+1/2"+TUBE	-	1	-
	DB99-00068B	ASS'Y VALVE 4WAY	AQ12A2MD, VK1100B+1/2"+TUBE	-	-	1
20-1	DB62-00118A	TUBE-4WAY VALVE	BRASS, 3/8INCH, T1.0, RANCO	1	1	1
20-2	DB62-00251A	VALVE-SERVICE	1/2"+9.52, 45/30KG, AQV12A2ME	1	1	1
21	DB96-00286A	ASS'Y COND	AQ12A1ME, 1.7D-FIN, COATING	1	1	1
22	DB64-00090A	CABINET-SIDE	SECC-P, T 0.8, SC-90073T, NEW V-P/J	1	1	1
23	DB67-90024A	HANDLE-CABILF	ABS, T2	1	1	1
24	DB94-00044A	ASS'Y COVER VALVE	V2 P/D, PP+RUBBER	1	1	1
24-1	DB73-00030A	RUBBER-BUSH CABLE	NR, T2, BLK	1	1	1
25	DB97-30184C	ASS'Y WITHOUT PIPE	1/4", 1/2" NUT, HEATING	1	1	-

6-4 Outdoor Unit

- UQ09A1(A2)ME
- SH09ZA1(A2)X

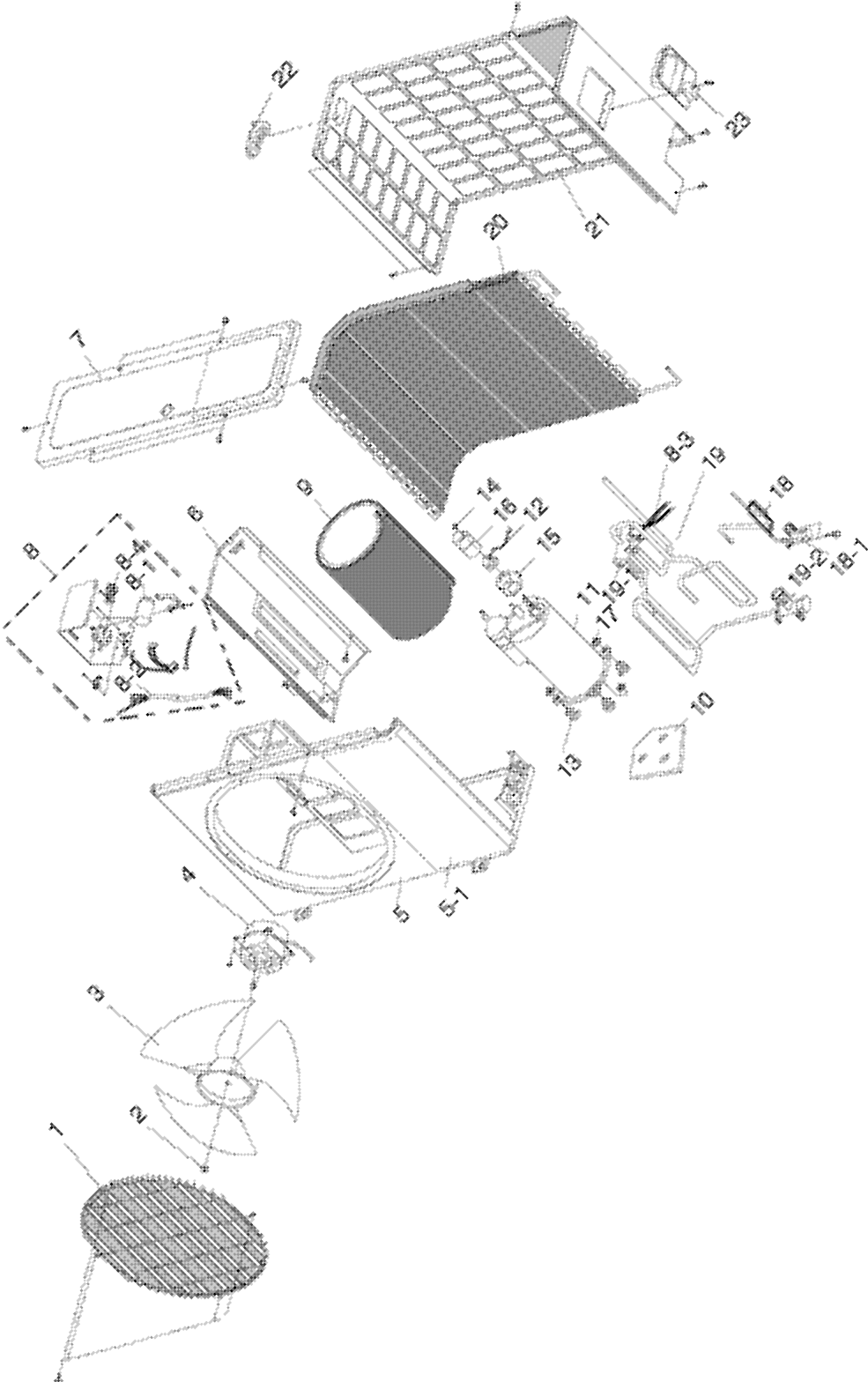


■ Parts List

No.	CODE NO	Description	Specification	Q'TY	
				UQ09A1(A2)ME SH09A1(A2)X	UQ09A1(A2)MD
1	DB63-00071A	GUARD-FAN	HSER, IP2, SC-90073T, NEW V-P/J 405FAN	1	1
2	DB60-30004A	NUT-FLANGE	2C, M6, SM20C, NTR	1	1
3	DB67-50063A	FAN-PROPELLER	AS+G/F20%, PI 405, BLK	1	1
4	DB31-10140B	MOTOR-FAN OUT	AMASS-015WTVA, FAN OUT, 220/240	1	1
5	DB90-00147A	ASS'Y FRAME	V2 P/D, AQV12A2ME, SAMSUNG, SILK	1	1
5-1	DB72-00194M	SEAL-CABI FRONT	FELT+PVC, T7.0	1	1
5-2	DB72-00194J	SEAL-FRONT, RH	30FOAM-PU, T15, 15, 400, BLK	1	1
6	DB94-00043E	ASS'Y PARTITION	V2 P/D, 9K, 1ROW COND	1	1
7	DB90-00150B	ASS'Y CABI-UPPER	V2 P/D, SC90073T+FELT	1	1
8	DB93-00293A	ASS'Y CONTROL OUT	AQ09A2ME, OLP	1	-
	DB93-00293D	ASS'Y CONTROL OUT	AQ09A2MD, OLP	-	1
8-1	2501-001199	C-OIL	40/1.5μF, 400VAC, BK, 63 x 75mm, 20.6	1	1
8-2	DB93-00294B	ASS'Y LEAD WIRE	V2 P/D, HEATPUMP	1	1
8-3	DB33-00007A	SOLENOID ASS'Y	220-240, 6W, LB81 RANCO	1	1
8-4	DB65-40049D	TERMINAL BLOCK	4P, (N1), 1, 2, 3, AWG16, 67.5 x 29.4	1	1
9	DB72-00162A	CLOTH-COMP SIDE	7t, 235, 535, 9K(44B COMP)	1	1
10	DB72-00255A	CLOTH-COMP UPPER	FELT + T10	1	1
11	DB72-00196A	CLOTH-COMP BOTTOM	10, 229.6, 217.2, AQV12A2ME	1	1
12	44B102JW1JL	ROTARY COMP	1ph, 220-240V, 50Hz, 102000BTU	1	-
	44B102MW1JL	ROTARY COMP	1ph, 200-220V, 50Hz, 102000BTU	-	1
13	DB35-00010E	PROTECTOR O/L	69, 155, MRA12054-12008, 14.5A/6-16Sec	1	-
	DB35-00011A	PROTECTOR O/L	69, 160, MRA12067-12007, 15.5A/6-16Sec	-	1
14	DB73-10004B	GROMMET-ISOLATOR	SILICON	3	3
15	DB60-30018A	NUT-FLANGE	PI0.8, M5, SM20C	1	1
16	DB63-20002A	GASKET	EPDM, TO.8	1	1
17	DB63-10165D	COVER-TERMINAL	PBT	1	1
18	DB60-30028A	NUT-WASHER	HEX, 2C, MB, ZPC	3	3
19	DB96-00350A	ASS'Y TUBE CAPILLARY	AQ09A1ME, ID1.5 x 800+1/4"	1	-
	DB96-00350D	ASS'Y TUBE CAPILLARY	AQ09A1MD, ID1.5 x 900+1/4"	-	1
19-1	DB62-00254A	VALVE-SERVICE 1/4"	ASS'Y, 1/4", 45KG/CM2G	1	1
20	DB99-00062A	ASS'Y VALVE 4WAY	AQ09A2ME, VK1100B+3/8"	1	1
20-1	DB62-00118A	TUBE-4WAY VALVE	BRASS, 3/8INCH, T1.0, RANCO	1	1
20-2	DB62-40073B	VALVE-SERVICE	C3771BD, 432L/H, 3/8", 30Kg/cm2G	1	1
21	DB96-00255A	ASS'Y COND	AQ09A2ME, 1.5D-FIN, COATING	1	1
22	DB64-00090A	CABINET-SIDE	SECC-P, T 0.8, SC-90073T, NEW V-P/J	1	1
23	DB67-90024A	HANDLE-CABILF	ABS, T2	1	1
24	DB94-00044A	ASS'Y COVER VALVE	V2 P/D, PP+RUBBER+FOAM PU	1	1
24-1	DB73-00030A	RUBBER-BUSH CABLE	NR, T2, BLK	1	1
25	DB97-30184H	ASS'Y WITHOUT PIPE	AQ07A1AE	1	-

6-5 Outdoor Unit

- UQ07A1(2)ME
- SH07ZA1(2)X

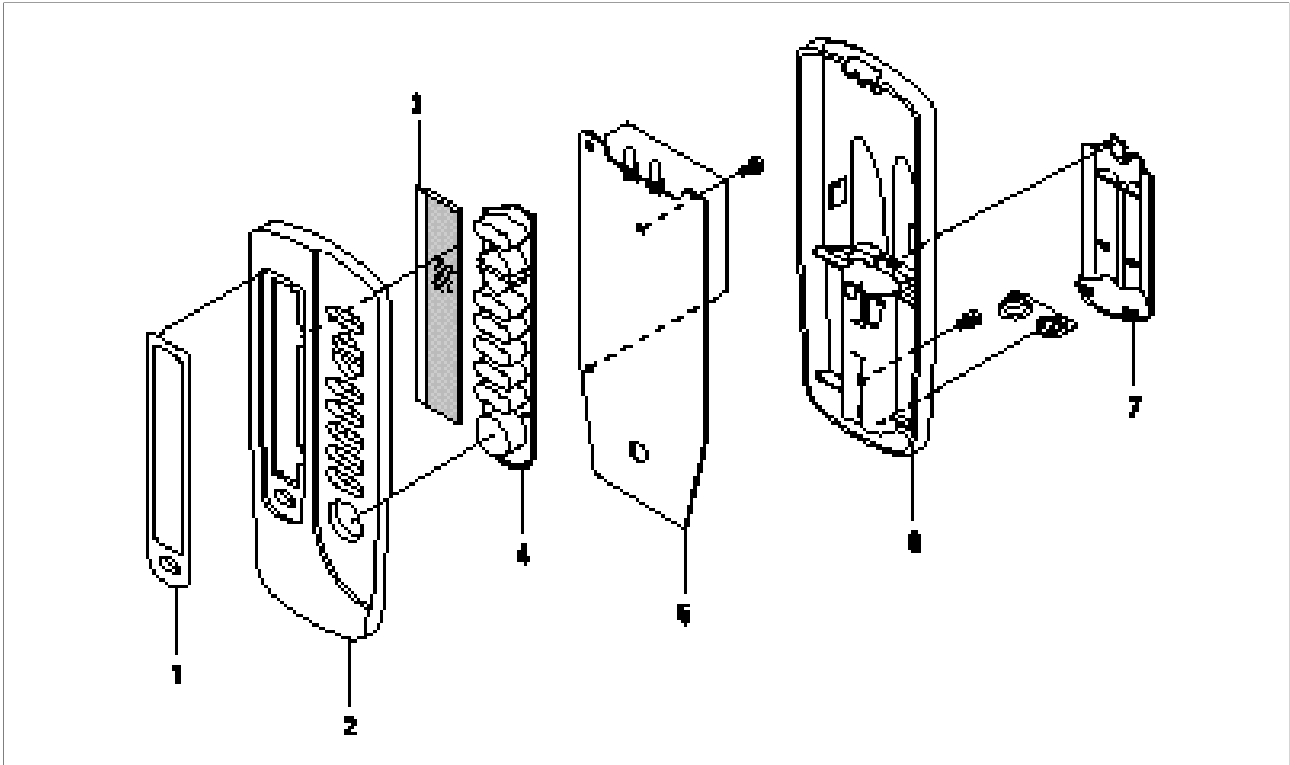


■ Parts List

No.	CODE NO	Description	Specitication	Q'TY
1	DB63-00086A	GUARD-FAN	HSWR, IP2, 5&3, SC-90073T, NEW A-P/J 370FAN	1
2	DB60-30004A	NUT-FLALNGE	2C, M6, SM20C, NTR	1
3	DB67-50075A	FAN-PROPELLER	AS+G/F20%, PI 370, AS-410, BLK	1
4	DB31-10140B	MOTOR-FAN OUT	AMASS-015WTVA, FAN OUT, 220/240	1
5	DB90-50152A	ASS'Y FRAME	AQ07A1ME V2 P/D, SAMSUNG	1
5-1	DB72-00194H	SEAL-CABI FRONT	FELT+PVC, T7.0	1
6	DB94-50038B	ASS'Y PARTITION	AS-410	1
7	DB90-00077B	ASS'Y CABI-UPPER	UQ07A1AE	1
8	DB93-00297A	ASS'Y CONTAOL OUT	AQ07A2ME, OLP	1
8-1	2501-001217	C-OIL	35/1.5μF, 400VAC, BK, 66 x 75mm, 20.6	1
8-2	DB93-00294A	ASS'Y LEAD WIRE	V2 P/D, HEATPUMP	1
8-3	DB33-00007A	SOLENOID ASS'Y	220-240, 6W, LB81 RANCO	1
8-4	DB65-40049D	TERMINAL BLOCK	4P, (N1), 1, 2, 3, AWG16, 67.5 x 29.4	1
9	DB72-00201A	CLOTH-COMP	T12, 425, 225, 44F COMP	1
10	DB72-50616A	CLOTH-COMP BOTTOM	T10, W195, L209.8	1
11	44B080 JW1EL	ROTARY COMP:1Ph, 50Hz		1
12	DB35-00010F	PROTECTOR O/L	74, 150, MRA12086-12008, 13.7A/6-16Sec	1
13	DB73-10004B	GROMMET-ISOLATOR	SILICON	3
14	DB60-30018A	NUT-FLANGE	PI0.8, M5, SM20C	1
15	DB63-20002A	GASKET	EPDM, TO.8	1
16	DB63-10165D	COVER-TERMINAL	PBT	1
17	DB60-30028A	NUT-WASHER	HEX, 2C, M8, ZPC	3
18	DB96-00248A	ASS'Y TUBE CAPILLARY	AS(Q)07A2ME, ID1.3 x 600+1/4"	1
18-1	DB62-40039A	VALVE-SERVICE	C3771BE, 72LT/HR, 1/4INCH, 30Kg/C	1
19	DB99-00055A	ASS'Y VALVE 4WAY	AQ07A2ME, VK1100B+3/8"	1
19-1	DB62-00118A	TUBE-4WAY VALVE	BRASS, 3/8INCH, T1.0, RANCO	1
19-2	DB62-40073B	VALVE-SERVICE	C3771BD, 432L/H, 3/8", 30Kg/cm2G	1
20	DB96-30293D	ASS'Y COND	AQ07A2ME, 1.5D-FIN, COATTING	1
21	DB64-60171B	CABINET-SIDE	SECC-P, T 0.8, A-P/J	1
22	DB67-90024A	HANDLE-CABILF	ABS, T2	1
23	DB63-10443C	COVER-E, PARTS ASS'Y	AQ12A1VE	1
24	DB97-30184H	ASS'Y WITHOUT PIPE	AQ07A1AE	1

6-6 Remote Control & PCB Box

6-6-1 ASS'Y REMOCON : DB93-00251L

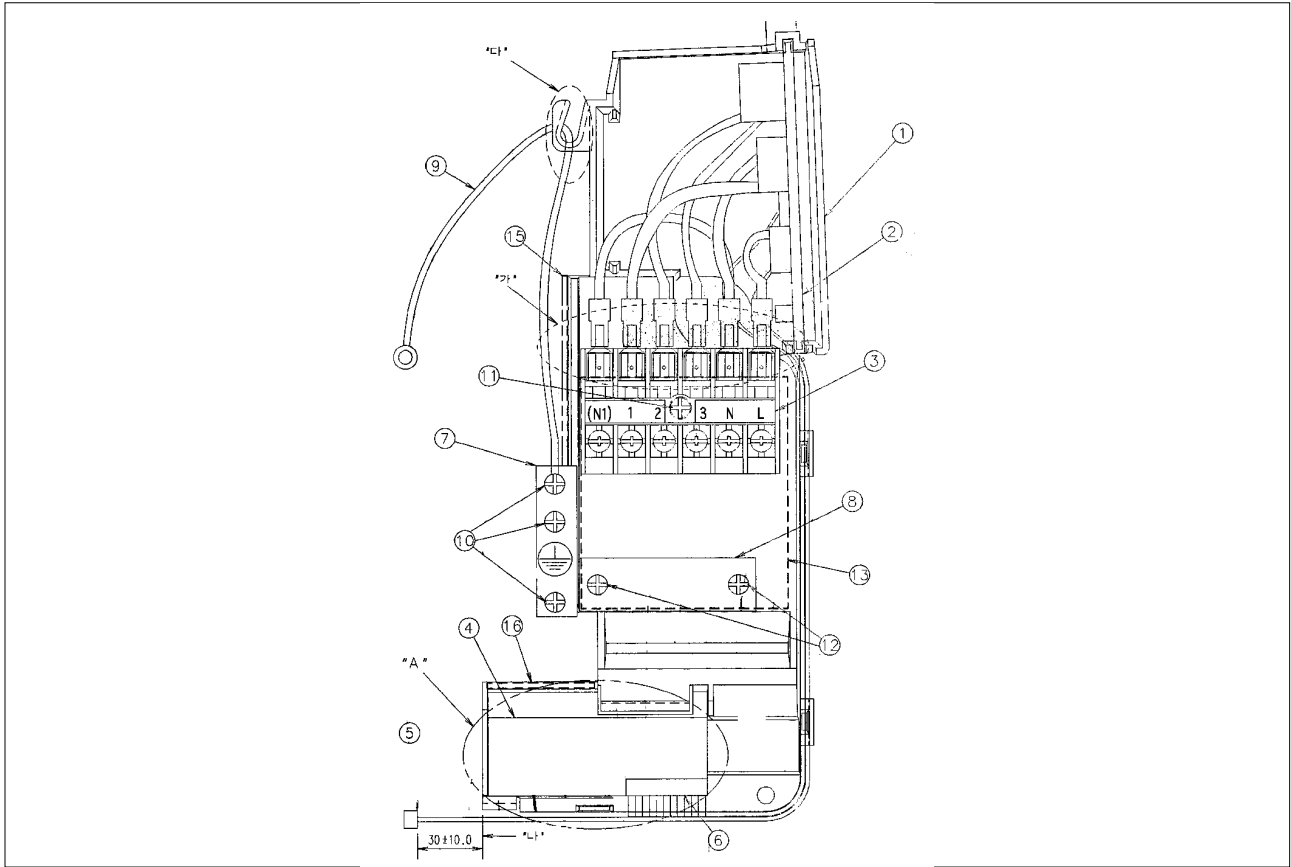


■ Parts List

No	Description	Q'TY	Remark
1	INLAY LCD	1	
2	CASE TOP	1	
3	LCD	1	
4	KEY RUBBER	1	
5	ASS'Y PCB REMOCON	1	
6	CASE LOW	1	
7	BATTERY COVER	1	

6-7 Indoor Control Unit

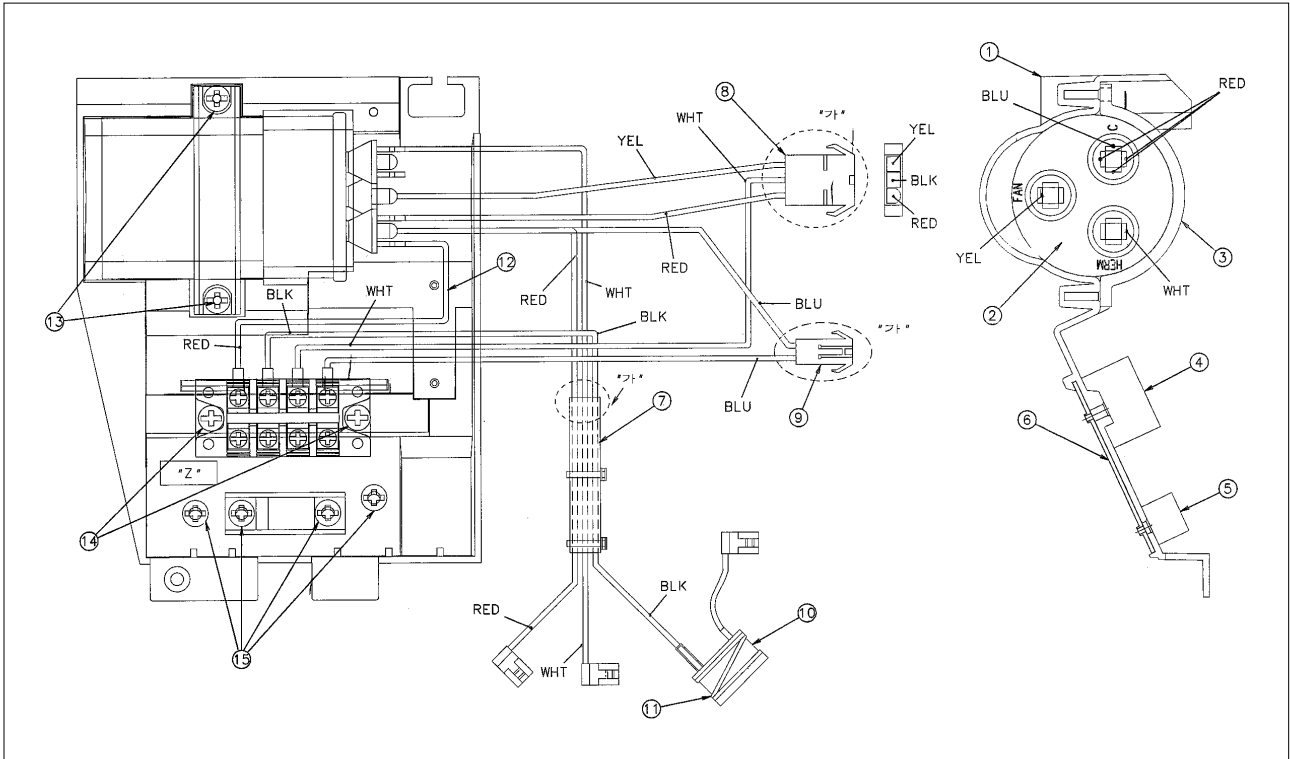
6-7-1 ASS'Y CONTROL-IN : DB93-00255A



■ Parts List

No	Description	Specification	Q'TY	Remark
1	HOLDER CONTROL	ABS		
2	ASS'Y MAIN PCB	AQ09A3ME		
3	ASS'Y TERMINAL BLOCK			
4	ASS'Y DISPLAY PCB	AQ09A3ME		
5	CONNECTOR WIRE PCB U/D			
6	BRACKET EARTH	SGCC-M		
7	HOLDER WIRE CLAMP			
8	CONNECTOR WIRE EARTH	AWG#16		
9	SCREW	WP, TH + M4 × L8, ZPC(WHT), T.C		
10	SCREW	PH, M3 × L19		
11	SCREW	TH + M4 × L16, ZPC(WHT), SWRCH		
12	LOLDER CLAMP IN			
13	SEAL PANEL FRONT RH			
14	SEAL H/CONTROL FRONT			

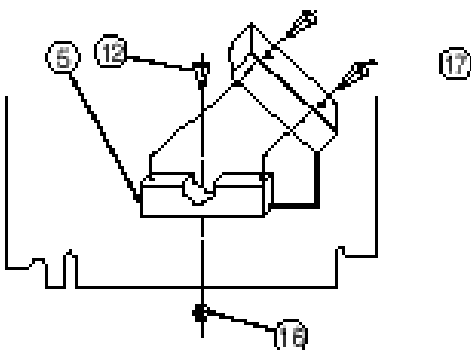
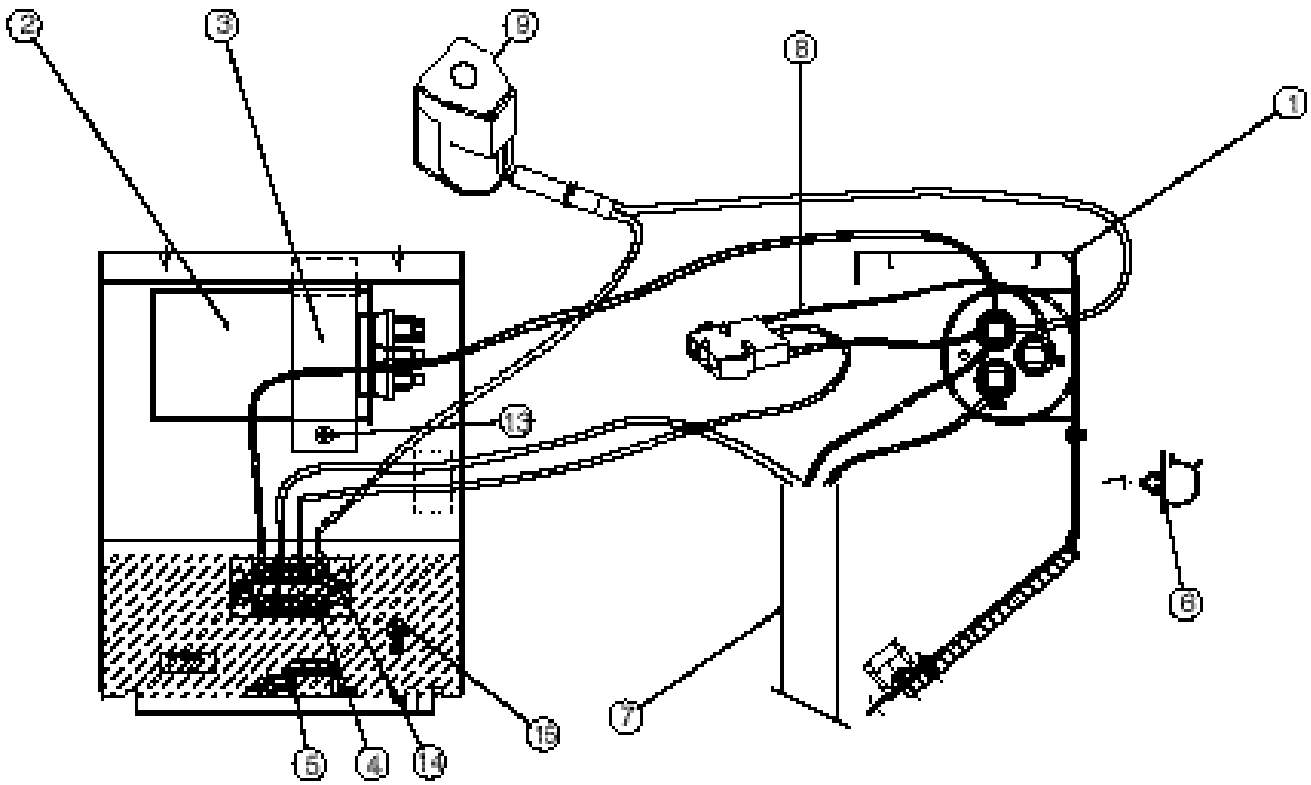
6-8 Outdoor Control Unit



Parts List

No	Description	Division	UQ09A3ME		UQ07A3ME	
			DB93-00256A		DB93-00256B	
			Q'TY	SPEC	Q'TY	SPEC
1	CASE CONTROL		1		1	
2	CAPACITOR		1	1.5/40 μ F, 400VAC	1	1.5/35 μ F, 400VAC
3	HOLDER CAPACITOR		1		1	
4	TERMINAL BLOCK ASS'Y		1	ASS'Y	1	ASS'Y
5	HOLDER WIRE		1	ABS(BLK)	1	ABS(BLK)
6	HOLDER CLAMP OUT		1	SGCC-M	1	SGCC-M
7	ASS'Y WIRE COMP		1		1	
8	CONNECTOR WIRE FAN		1		1	
9	ASS'Y SOLENOID CONNECTOR		1		1	
10	O. L. P		1	MRA12110-12008	1	MRA12086-12008
11	SPRING O. L. P		1		1	
12	LEAD WIRE CAP		1	1015 #16	1	1015 #16
13	SCREW		2	TH, M4 X L16, ZPC(YEL)	2	TH, M4 X L16, ZPC(YEL)
14	SCREW		2	M4 X L20	2	M4 X L20
15	SCREW		4	M4 X L10	4	M4 X L10

6-9 Outdoor Control Unit



■ Parts List

No	Description	Division	UQ12A1(A2)ME,SH12ZA1(A2)XA		SH12ZA1(A2)X		UQ09A1(A2)ME,SH09ZA1(A2)XA	
			DB93-00293C		DB93-00293G		DB93-00293A	
			Q'TY	SPEC	Q'TY	SPEC	Q'TY	SPEC
1	CASE CONTROL		1	SGCC-M, To.6	1	SGCC-M, To.6	1	SGCC-M, To.6
2	CAPACITOR		1	1.2/30µF, 450VAC	1	1.2/30µF, 450VAC	1	1.5/40µF, 400VAC
3	HOLDER CAPACITOR		1	SGCC-M, ø50	1	SGCC-M, ø50	1	SGCC-M, ø63
4	TERMINAL BLOCK ASS'Y		1	4P(N1), 1, 2, 3	1	4P(N1), 1, 2, 3	1	4P(N1), 1, 2, 3
5	HOLDER WIRE		1	PP	1	PP	1	PP
6	HOLDER CLAMP OUT		2	DALC-40	1	DALC-40	1	DALC-40
7	ASS'Y WIRE COMP		1	ASS'Y	1	ASS'Y	1	ASS'Y
8	CONNECTOR WIRE FAN		1	ASS'Y	1	ASS'Y	1	ASS'Y
9	ASS'Y SOLENOID		1	ASS'Y	1	ASS'Y	1	ASS'Y
10	O. L. P		1	MRA98881-696	1	MRA12030-12008	1	MRA12054-12008
11	SPRING O. L. P		1	STS-30	1	STS-30	1	STS-30
12	SCREW		-	-	-	-	-	-
13	SCREW		1	2S, M4 x L10, TAPPING	1	2S, M4 x L10, TAPPING	1	2S, M4 x L10, TAPPING
14	SCREW		2	2S, M4 x L12, TAPPING	2	2S, M4 x L12, TAPPING	2	2S, M4 x L12, TAPPING
15	SCREW		1	M4 x L8	1	M4 x L8	1	M4 x L8

No	Description	Division	UQ12A1(A2)MD		UQ09A1(A2)MD		UQ07A1(A2)ME,SH07ZA1(A2)X	
			DB93-00293E		DB93-00293D		DB93-00297A	
			Q'TY	SPEC	Q'TY	SPEC	Q'TY	SPEC
1	CASE CONTROL		1	SGCC-M, To.6	1	SGCC-M	1	SGCC-M
2	CAPACITOR		1	1.2/30µF, 450VAC	1	1.5/40µF, 400VAC	1	1.5/35µF, 400VAC
3	HOLDER CAPACITOR		1	SGCC-M, ø50	1	SGCC-M, ø63	1	SGCC-M, ø63
4	TERMINAL BLOCK ASS'Y		1	4P(N1), 1, 2, 3	1	4P(N1), 1, 2, 3	1	4P(N1), 1, 2, 3
5	HOLDER WIRE		1	NYLON	1	NYLON	1	PP
6	HOLDER CLAMP OUT		1	DALC-40	1	DALC-40	1	DALC-40
7	ASS'Y WIRE COMP		1	ASS'Y	1	ASS'Y	1	ASS'Y
8	CONNECTOR WIRE FAN		1	ASS'Y	1	ASS'Y	1	ASS'Y
9	ASS'Y SOLENOID		1	ASS'Y	1	ASS'Y	1	ASS'Y
10	O. L. P		1	MRA98706-12008	1	MRA12067-12007	1	MRA12086-12008
11	SPRING O. L. P		1	STS-30	1	STS-30	1	STS-30
12	SCREW		1	BH, M4x L10	1	BH, M4x L10	-	-
13	SCREW		1	2S, M4 x L10, TAPPING	1	2S, M4 x L10, TAPPING	1	2S, M4 x L10, TAPPING
14	SCREW		2	2S, M4 x L12, TAPPING	2	2S, M4 x L12, TAPPING	2	2S, M4 x L12, TAPPING
15	SCREW		1	M4 x L8	1	M4 x L8	1	M4 x L8
16	NUT		1	M4	1	M4	-	-
17	SCREW		2	2S, M4 x L16, TAPPING	2	2S, M4 x L16, TAPPING	-	-