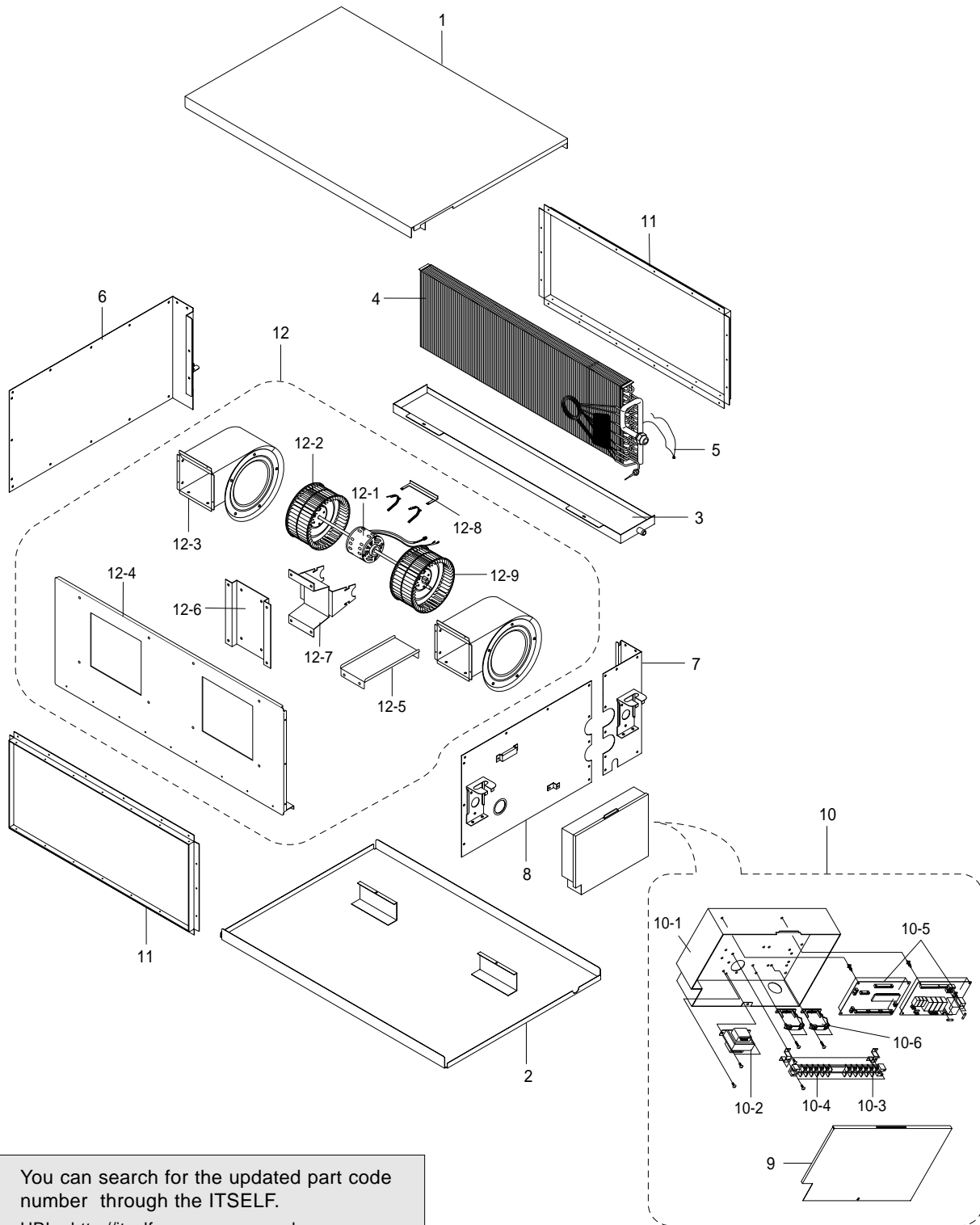


6. Exploded Views and Parts List

6-1 Indoor Unit



You can search for the updated part code number through the ITSELF.
URL : <http://itself.sec.samsung.co.kr>

■ Parts List(HH105EZM)

No.	Code No.	Description	Specification	Q'TY	Remark
1	DB98-06745A	ASS'Y CABI TOP	HH105EZM, DUCT TYPE	1	
2	DB98-06744A	ASS'Y CABI BASE PART	HH105EZM, DUCT TYPE	1	
3	DB94-00093A	ASS'Y DRAIN PAN	HH105EZM, DUCT TYPE	1	
4	DB96-02934A	ASS'Y EVAP	HH105EZM, DUCT TYPE	1	
5	DB32-00016B	THERMISTOR-ASS'Y	HH105EZM, DUCT TYPE	1	
6	DB98-05296A	ASS'Y-CABI SIDE LF PART	HH105EZM, DUCT TYPE	1	
7	DB72-00499A	INSULATION-CABI SIDE LF B	HH105EZM, DUCT TYPE	1	
8	DB72-00498A	INSULATION-CABI SIDE LF A	HH105EZM, DUCT TYPE	1	
9	DB63-00080A	COVER-CONTROL	SGCC-M,T0.8	1	
10	DB93-01616D	ASS'Y CONTROL IN	220V, 50Hz, HH105EZM	1	
10-1	DB61-00098A	CASE-CONTROL	SGCC-M,T0.8	1	
10-2	DB26-10065B	TRANS-POWER	230V,50HZ	1	
10-3	DB65-00004H	TERMINAL BLOCK-6P	6p	1	
10-4	DB65-00004L	TERMINAL BLOCK-6P	6p	1	
10-5	DB93-00849L	ASS'Y PCB MAIN-DPM DUCT	DPM,PCB, HH105EZM	1	
10-6	DB61-40291B	HOLDER-WIRE	PP,BLK	2	
11	DB90-00315A	ASS'Y-BRACKET OUTLET	HH105EZM, DUCT TYPE	2	
12	DB94-00222A	ASS'Y BLOWER	HH105EZM, DUCT TYPE	1	
12-1	DB31-00145A	MOTOR FAN	OSME-2004SAC(S329)	1	
12-2	DB67-00117A	BLOWER LF	SGCC-M	1	
12-3	DB90-00313A	ASS'Y-HOUSING	HH105EZM, DUCT TYPE	2	
12-4	DB64-00529A	PANEL-DUCT	SGCC-M	1	
12-5	DB61-00911A	SUPPORT-MOTOR	SGCC-M,T1.6	1	
12-6	DB61-00541A	HOLDER-MOTOR	SGCC-M,W220xL200xT2.0	1	
12-7	DB61-20071A	BASE-MOTOR	HH105EZM, DUCT TYPE	1	
12-8	DB61-00540A	BRACKET-MOTOR GUIDE	SGCC-M,T1.6	1	
12-9	DB67-00117B	BLOWER-RH	SGCC-M	1	

■ Parts List(HH128EZM/HH140EZM)

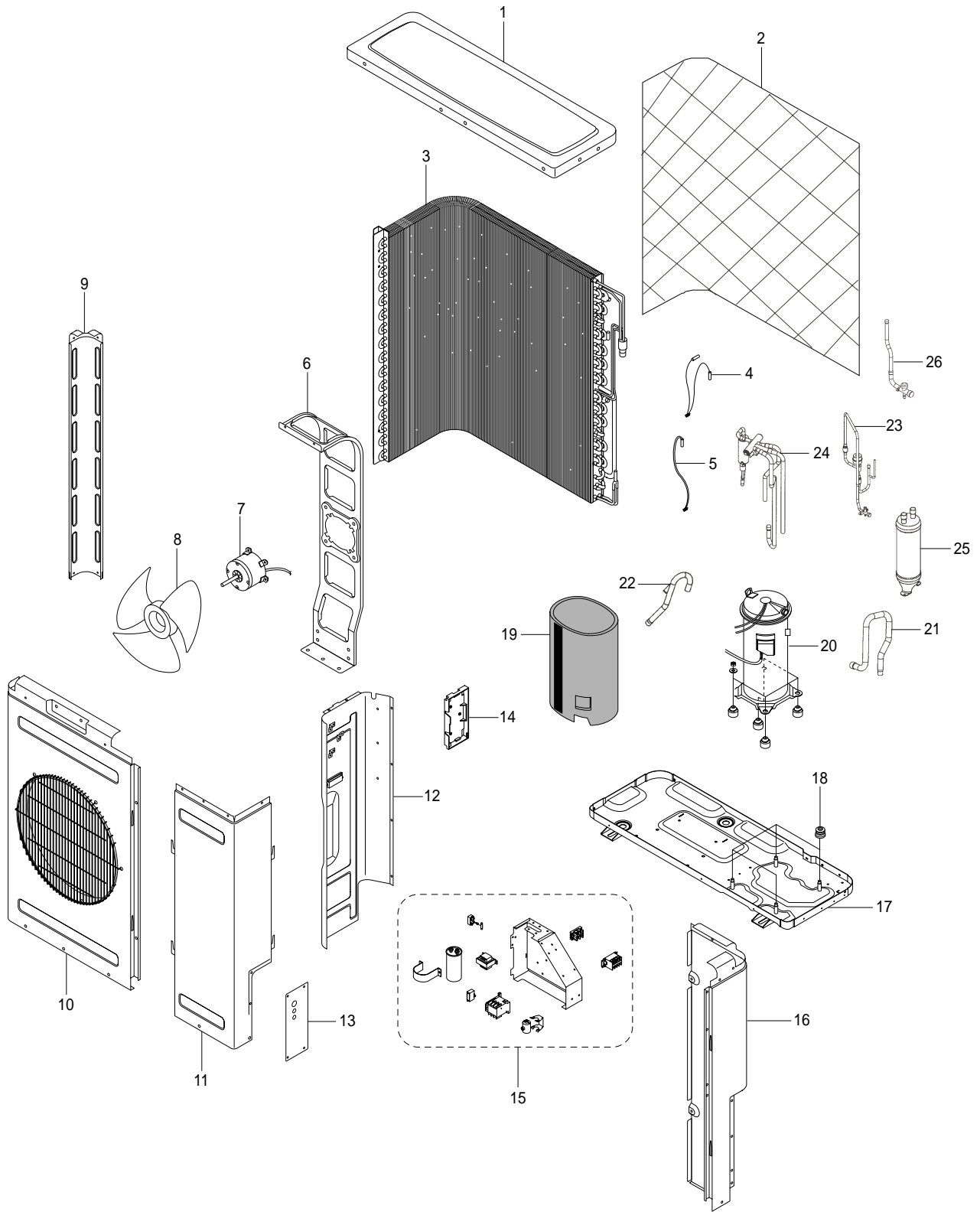
No.	Code No.	Description	Specification	Q'TY	Remark
1	DB98-06745A	ASS'Y CABI TOP	HH140EZM, DUCT TYPE	1	
2	DB98-06744A	ASS'Y CABI BASE PART	HH140EZM, DUCT TYPE	1	
3	DB94-00093A	ASS'Y DRAIN PAN	HH140EZM, DUCT TYPE	1	
4	DB96-02872A	ASS'Y EVAP	HH140EZM, DUCT TYPE	1	
5	DB32-00016B	THERMISTOR-ASSY	HH140EZM, DUCT TYPE	1	
6	DB98-05296A	ASS'Y-CABI SIDE LF PART	HH140EZM, DUCT TYPE	1	
7	DB72-00499A	INSULATION-CABI SIDE LF B	HH140EZM, DUCT TYPE	1	
8	DB72-00498A	INSULATION-CABI SIDE LF A	HH140EZM, DUCT TYPE	1	
9	DB63-00080A	COVER-CONTROL	SGCC-M,T0.8	1	
10	DB93-01616B	ASS'Y CONTROL IN	220V, 50Hz, HH140EZM	1	
10-1	DB61-00098A	CASE-CONTROL	SGCC-M,T0.8	1	
10-2	DB26-10065B	TRANS-POWER	230V,50HZ	1	
10-3	DB65-00004H	TERMINAL BLOCK-6P	6p	1	
10-4	DB65-00004L	TERMINAL BLOCK-6P	6p	1	
10-5	DB93-00849L	ASS'Y PCB MAIN-DPM DUCT	DPM,PCB, HH140EZM	1	
10-6	DB61-40291B	HOLDER-WIRE	PP,BLK	2	
11	DB90-00315A	ASS'Y-BRACKET OUTLET	HH140EZM, DUCT TYPE	2	
12	DB94-00222B	ASS'Y BLOWER	HH140EZM, DUCT TYPE	1	
12-1	DB31-00079E	MOTOR FAN	OSM-1604SAC(S324)	1	
12-2	DB67-00117A	BLOWER LF	SGCC-M	1	
12-3	DB90-00313A	ASS'Y-HOUSING	HH140EZM, DUCT TYPE	2	
12-4	DB64-00529A	PANEL-DUCT	SGCC-M	1	
12-5	DB61-00911A	SUPPORT-MOTOR	SGCC-M,T1.6	1	
12-6	DB61-00541A	HOLDER-MOTOR	SGCC-M,W220xL200xT2.0	1	
12-7	DB61-20071A	BASE-MOTOR	HH140EZM, DUCT TYPE	1	
12-8	DB61-00540A	BRACKET-MOTOR GUIDE	SGCC-M,T1.6	1	
12-9	DB67-00117B	BLOWER-RH	SGCC-M	1	

■ Parts List(HH175EZM/HH175ECM)

No.	Code No.	Description	Specification	Q'TY	Remark
1	DB98-05295A	ASS'Y CABI TOP	HH175EZM, DUCT TYPE	1	
2	DB98-05294A	ASS'Y CABI BASE PART	HH175EZM, DUCT TYPE	1	
3	DB94-00184A	ASS'Y DRAIN PAN	HH175EZM, DUCT TYPE	1	
4	DB96-02634B	ASS'Y EVAP	HH175EZM, DUCT TYPE	1	
5	DB32-00016B	THERMISTOR-ASSY	HH175EZM, DUCT TYPE	1	
6	DB98-05296A	ASS'Y-CABI SIDE LF PART	HH175EZM, DUCT TYPE	1	
7	DB72-00499A	INSULATION-CABI SIDE LF B	HH175EZM, DUCT TYPE	1	
8	DB72-00498A	INSULATION-CABI SIDE LF A	HH175EZM, DUCT TYPE	1	
9	DB63-00080A	COVER-CONTROL	SGCC-M, T0.8	1	
10	DB93-01616A	ASS'Y CONTROL IN	220V, 50Hz, HH175EZM	1	
10-1	DB61-00098A	CASE-CONTROL	SGCC-M, T0.8	1	
10-2	DB26-10065B	TRANS-POWER	230V, 50Hz	1	
10-3	DB65-00004H	TERMINAL BLOCK-6P	6P	1	
10-4	DB65-00004L	TERMINAL BLOCK-6P	6P	1	
10-5	DB93-00849D	ASS'Y PCB MAIN-DPM DUCT	DPM, PCB, HH175EZM	1	
10-6	DB61-40291B	HOLDER-WIRE	PP, BLK	2	
11	DB90-00751A	ASS'Y-BRACKET OUTLET	HH175EZM, DUCT TYPE	2	
12	DB94-00193A	ASS'Y BLOWER	HH175EZM, DUCT TYPE	1	
12-1	DB31-00142A	MOTOR FAN	OSME-3751SAC(S325)	1	
12-2	DB67-00206A	BLOWER LF	SGCC-M	1	
12-3	DB94-00185A	ASS'Y-HOUSING	HH175EZM, DUCT TYPE	2	
12-4	DB64-00495A	PANEL-DUCT	SGCC-M	1	
12-5	DB61-00911A	SUPPORT-MOTOR	SGCC-M, T1.6	1	
12-6	DB61-00541A	HOLDER-MOTOR	SGCC-M, W220xL200xT2.0	1	
12-7	DB61-20071A	BASE-MOTOR	HH175EZM, DUCT TYPE	1	
12-8	DB61-00919A	BRACKET-MOTOR GUIDE	SGCC-M, T1.6	1	
12-9	DB67-00206B	BLOWER-RH	SGCC-M	1	

6-2 Outdoor Unit

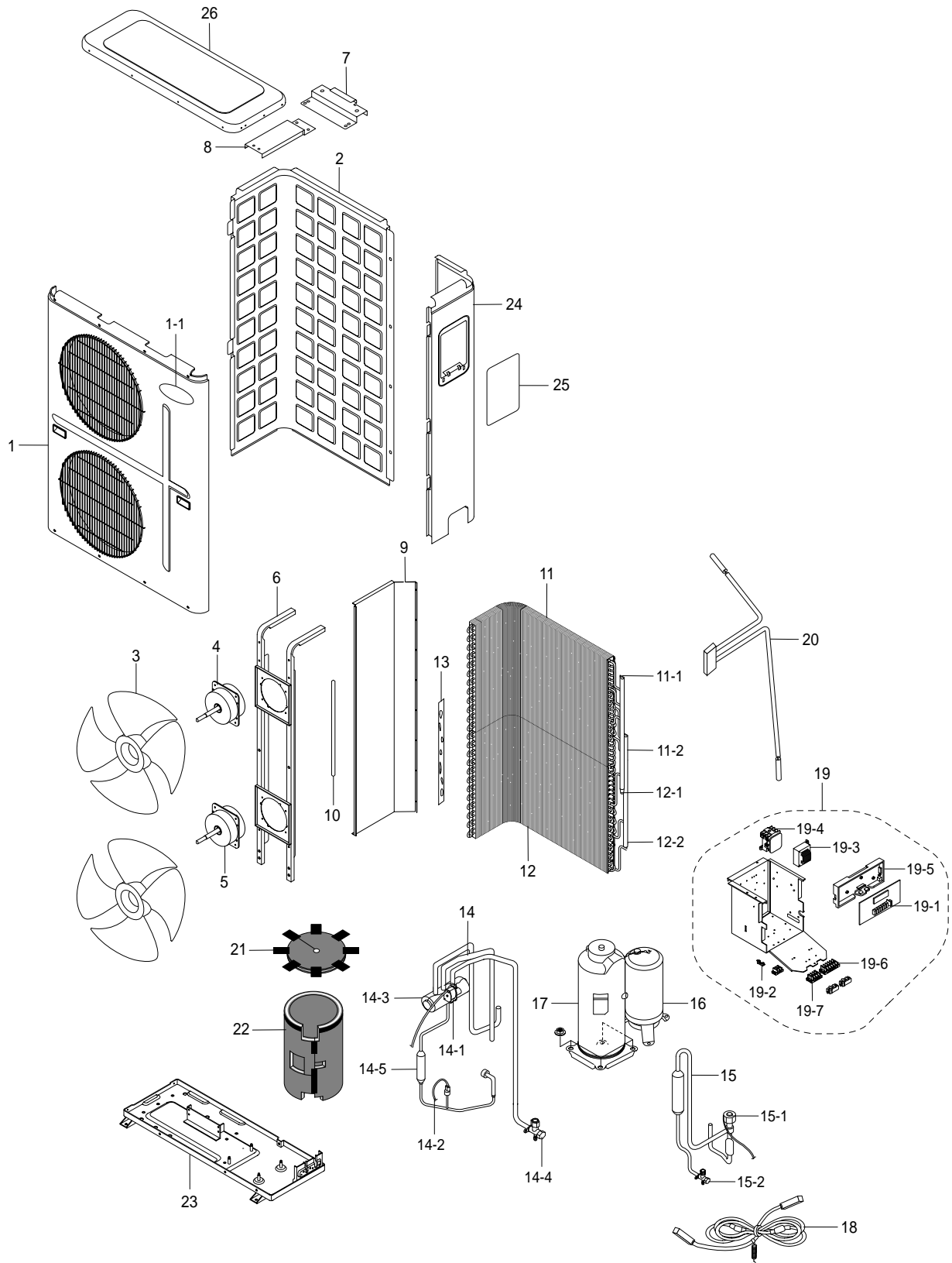
■ UH105GZM



■ Parts List

No.	Code No.	Description	Specification	Q'TY	Remark
1	DB90-01029B	ASS'Y CABINET-TOP	UH105GZM, ASS'Y(SECC-P)	1	
2	DB61-01348A	GUIDE-SCREEN	RVMPC035B2M0	1	
3	DB96-02724A	ASS'Y COND-UNIT	UH105GZM, 2x36	1	
4	DB32-00021H	THERMISTOR	-,10Kohm,-,-20~100,-,-,-,-,-	1	
5	DB32-00071A	THERMISTOR	-,,-,-,-,-,-,RFPC020B2M0	1	
6	DB61-01173B	BRACKET MOTOR	UH105GZM,-,-,-,-,-	1	
7	DB31-00060P	MOTOR FAN-OSMED-1166SRC	OSME1166SRC, FAN MOTOR, 1.03/0.58,50 210/115,220,900/500,50,220,75deg, -,-	1	
8	DB67-00140A	FAN-PROPELLER	AS+GF 20%,BLK,OD460,B-PJT	1	
9	DB64-00857A	CABINET-BACK LF	RVMC035B2M0,SECCP,T1.0,W81,L947,- WHITE GRAY,-	1	
10	DB90-01026A	ASS'Y-CABI FRONT LF	RVMPC035B2M0	1	
11	DB90-01224A	ASS'Y CABINET FRONT-RH	UH105GZM,ASS'Y	1	
12	DB94-00319A	ASS'Y PARTITION-OUT	RVMPC035B2M0	1	
13	DB90-01222A	ASS'Y-WIRE PLATE	UH105GZM,SECC-P,SC-90073T	1	
14	DB61-00152A	CASE-PCB-OUT	AE-240E,T2.5,ABS,-,-,BLK,-	1	
15	DB93-02266A	ASS'Y CONTROL OUT	HP,-,-,-,-,-,UH105GZM	1	
16	DB90-01223A	ASS'Y CABINET BACK-RH	UH105GZM,ASS'Y	1	
17	DB90-01030B	ASS'Y BASE OUT	UH105GZM,DPM 3.5HP OUTDOOR	1	
18	DB73-10023A	GROMMET-COMP	-,EPDM,T41,-,-,-,-,BLK,-	4	
19	DB72-00237A	INSULATION-SOUND	T12,W630,L390,-,-,-,ACH3600G	1	
20	DB95-00435A	ASS'Y-DIGITAL SCROLL COMP	UH105GZM,ZR45KC-TFD	1	
21	DB62-02004A	TUBE-SUCTION	-,UH105GZM,-,-,-,-,-	1	
22	DB96-02692A	ASS'Y TUBE-DISCHARGE	UH105GZM,-	1	
23	DB96-02693A	ASS'Y-EXPANSION VALVE	UH105GZM,-	1	
24	DB96-02694A	ASS'Y-4WAY VALVE	UH105GZM,-	1	
25	DB96-02695A	ASS'Y-ACCUMULATOR	UH105GZM,-	1	
26	DB96-02697A	ASS'Y-VALVE SERVICE	UH105GZM,-	1	

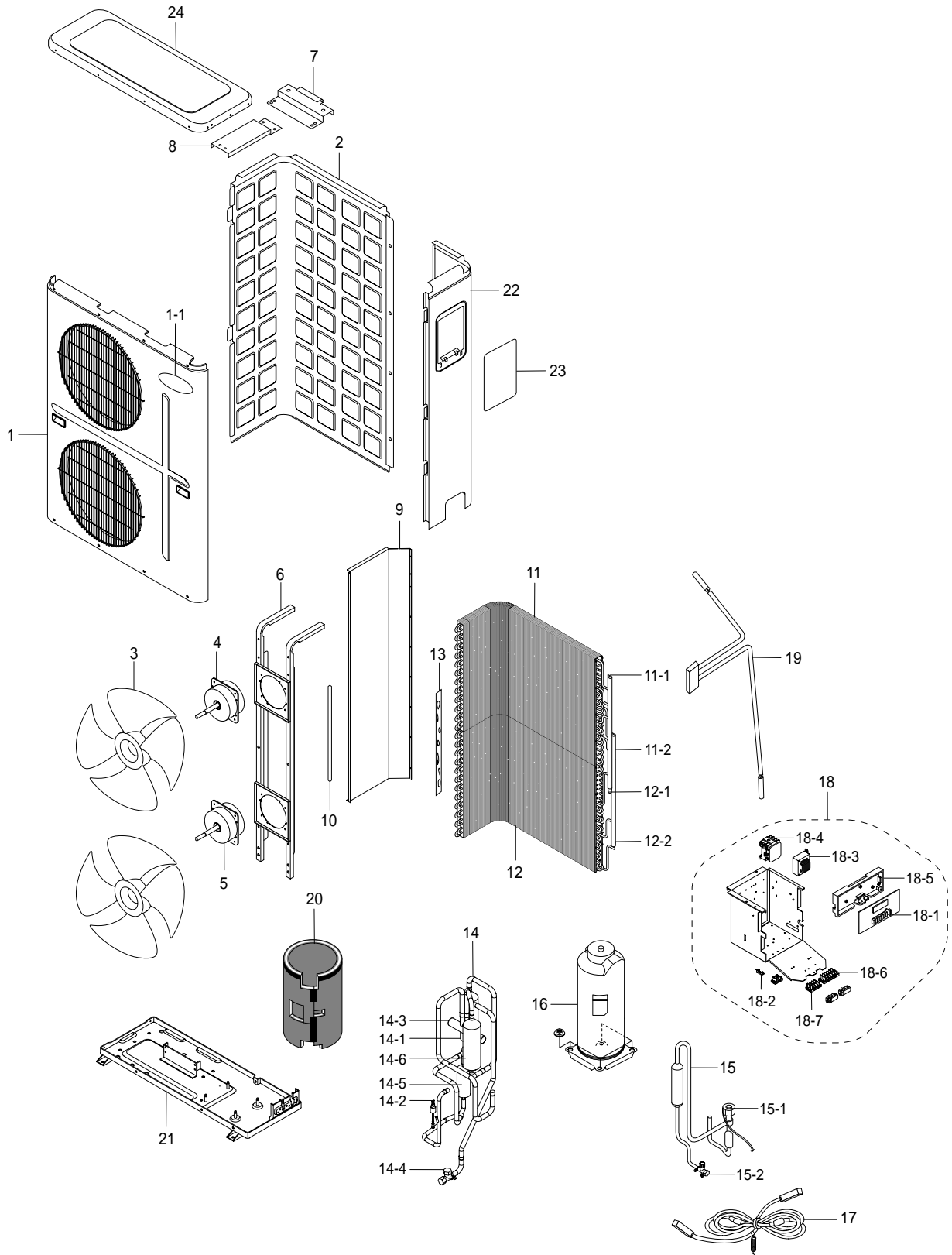
■ UH128GZM / UH140GZM



■ Parts List

No.	Code No.	Description	Specification	Q'TY
1	DB90-00250A	CABINET FRONT	ASS'Y CABINET FRONT	1
1-1	DB68-10612A	LABEL SAMSUNG	HARD PC, T0.5	1
2	DB90-00551A	ASS'Y CABI BACK-LF	ASS'Y CABINET BACK LF	1
3	DB67-50067A	FAN-PROPELLER	ABS+GF20,D495,4BLADE	2
4	DB31-00060L	MOTOR FAN	OSME-1156SRC,(S542)	1
5	DB31-00060M	MOTOR FAN	OSME-1156SRC,(S543)	1
6	DB61-00837A	BRACKET MOTOR	SGCC-M,T1.6	1
7	DB61-00398A	SUPPORTER-MOTOR	SGCC-M,T1.6	1
8	DB61-30615A	SUPPORTER-FRAME	SGCC-M,T1.2	1
9	DB67-30025A	PARTITION	SBHG1,T1	1
10	DB61-30365A	SUPPORTER-COND	SBHG1,T1.6	1
11	DB96-01259D	ASS'Y COND-UP	ASS'Y COND_UP	1
11-1	DB96-01052A	ASS'Y-COLLECTOR IN UP	CU, COLLECTOR IN UP	1
11-2	DB96-01056A	ASS'Y-COLLECTOR OUT UP	CU, COLLECTOR OUT UP	1
12	DB96-01258F	ASS'Y COND-LOW	ASS'Y COND_LOW	1
12-1	DB96-01053A	ASS'Y COLLECTOR IN LOW	UH140GZM,IN LOW	1
12-2	DB96-01057A	ASS'Y-COLLECTOR OUT LOW	UH140GZM,OUT LOW	1
13	DB61-30358B	SUPPORTER-UNIT OUT	SGCC-A,T1.2	1
14	DB96-02302A	ASS'Y-4WAY VALVE	UH140GZM, 4-WAY VALVE	1
14-1	DB33-00003J	SOLENOID VALVE	SAGINOMIYA	1
14-2	DB34-00021B	SWITCH-HIGH PRESSURE	220-240V,1~4A,33kgf/cm ² G	1
14-3	DB62-40019A	VALVE-4WAY	3/4INCH	1
14-4	DB62-40092A	VALVE-SERVICE	C3604,30KG/CM2G	1
14-5	DB67-00197A	MUFFLER	UH140GZM	1
15	DB96-02515A	ASS'Y-VALVE EXPANSION	UH140GZM,4WAY_CASSETTE_48K	1
15-1	DB62-00720A	VALVE EXPAN-ELEC.	EDM-50YH	1
15-2	DB62-40011F	VALVE-SERVICE	3/8 INCH	1
16	DB96-01055A	ASS'Y-ACCUMULATOR	UH140GZM,ACCUM	1
17	DB95-10057J	ASS'Y-COMP-SCROLL	ZR61KC-TFD	1
18	DB95-30013V	ASS'Y HEATER-COMP	UH140GZM	1
19	DB93-01156D	ASS'Y CONTROL OUT	UH140GZM	1
19-1	PE-DPM5HP-05	ASS'Y PCB PARTS	PE-DPM5HP-05	1
19-2	3601-000438	FUSE-CARTRIDGE	250V,15A,SLOW-BLOW,CERAMIC,6.35x31.8mm	1
19-3	DB26-10070A	TRANS-POWER	DC17,AC230,DC17,DC0.6A	1
19-4	DB34-90090A	SWITCH-MAGNET	FURNAS,-,3P+1P,APH450PG,42AF35	1
19-5	DB61-00152A	CASE-PCB-OUT	AE-240E,T2.5,ABS,BLK	1
19-6	DB65-00074C	TERMINAL BLOCK-8P	UH140GZM	1
19-7	DB65-40062L	TERMINAL BLOCK-2P	UH140GZM	1
20	DB32-00021E	THERMISTOR-ASS'Y OUT	103AT,-20~+100,-.5V	1
21	DB72-00560B	INSULATION-SOUND TOP	MUF-0911,FELT,T12	1
22	DB72-00560A	INSULATION-SOUND	MUF-0911,FELT,T12	1
23	DB90-00247C	ASS'Y BASE OUT	UH140GZM	1
24	DB90-00550A	ASS'Y CABI BACK-RH	UH140GZM	1
25	DB90-00144A	ASS'Y COVER-CONTROL	ASM-3500A	1
26	DB90-00626A	ASS'Y CABI-TOP	UH140GZM	1

■ UH175GZM/UH175GCM



■ Parts List

No.	Code No.	Description	Specification	Q'TY	
				UH175GCM	UH175GZM
1	DB90-00250A	CABINET FRONT	ASS'Y CABINET FRONT	1	1
1-1	DB68-10612A	LABEL SAMSUNG	HARD PC, T0.5	1	1
2	DB90-00551A	ASS'Y CABI BACK-LF	ASS'Y CABINET BACK LF	1	1
3	DB67-50067A	FAN-PROPELLER	ABS+GF20, D495, 4BLADE	2	2
4	DB31-00060L	MOTOR FAN	ASME-1156SRC, (S542)	1	1
5	DB31-00060M	MOTOR FAN	ASME-1156SRC, (S543)	1	1
6	DB61-00837A	BRACKET MOTOR	SGCC-M, T1.6	1	1
7	DB61-00398A	SUPPORTER-MOTOR	SGCC-M, T1.6	1	1
8	DB61-30615A	SUPPORTER-FRAME	SGCC-M, T1.2	1	1
9	DB67-30025A	PARTITION	SBHG1, T1.0	1	1
10	DB61-30365A	SUPPORTER-COND	SBHG1, T1.6	1	1
11	DB96-01259D	ASS'Y COND-UP	ASS'Y COND-UP	1	1
11-1	DB96-01052A	ASS'Y-COLLECTOR IN UP	CU, COLLECTOR IN UP	1	1
11-2	DB96-01056A	ASS'Y-COLLECTOR OUT UP	CU, COLLECTOR OUT UP	1	1
12	DB96-01258D	ASS'Y COND-LOW	ASS'Y COND-LOW	1	1
12-1	DB96-01053A	ASS'Y COLLECTOR IN LOW	UH175GCM, IN LOW	1	1
12-2	DB96-01057A	ASS'Y COLLECTOR OUT LOW	UH175GCM, OUT LOW	1	1
13	DB61-30358B	SUPPORTER-UNIT OUT	SGCC-A, T1.2	1	1
14	DB96-02226A	ASS'Y-4-WAY VALVE	UH175GCM, 4-WAY VALVE	1	-
	DB96-02674A	ASS'Y-4-WAY VALVE	UH175GZM, 4-WAY VALVE	-	1
14-1	DB33-00003J	SOLENOID VALVE	SAGINOMIYA	1	1
14-2	DB34-00021B	SWITCH-HIGH RRESSURE	220-240, 1~4A, 33KGF/øG	1	1
14-3	DB62-40019A	VALVE-4WAY	3/4 INCH	1	1
14-4	DB62-00450A	VALVE-SERVICE	C3604, 30KG/CM2G	1	-
	DB62-40092A	VALVE-SERVICE	C3604, 30KG/CM2G	-	1
14-5	DB67-00197A	MUFFLER	UH175GCM	1	1
14-6	DB67-10042A	ACCUMULATOR	UH175GCM, ACCUM	1	1
15	DB96-02241A	ASS'Y-VALVE EXPANSION	UH175GCM, 4WAY-CASSETTE-48K	1	-
	DB96-02819A	ASS'Y-VALVE EXPANSION	UH175GZM, 4WAY-CASSETTE-48K	-	1
15-1	DB62-01251A	VALVE EXPAN-ELEC	EDM-60YP	1	-
	DB62-00811A	VALVE EXPAN-ELEC	EDM-60YH	-	1
15-2	DB62-00425A	VALVE-SERVICE	3/8 INCH	1	-
	DB62-40011F	VALVE-SERVICE	3/8 INCH	-	1
16	DB95-00336A	ASS'Y-COMP-SCROLL	ZR72KC-TFD	1	-
	DB95-00418A	ASS'Y-COMP-SCROLL	ZR72KC-TFD	-	1
17	DB95-30013S	ASS'Y HEATER-COMP	UH175GCM	1	1
18	DB93-01156C	ASS'Y CONTROL OUT	UH175GCM/UH175GZM	1	1
18-1	DB93-02074A	ASS'Y PCB PARTS	PE-DPM5HP-03	1	-
	DB93-02343A	ASS'Y PCB PARTS	PE-DPM5HP-06	-	1
18-2	3601-000438	FUSE-CARTRIDGE	250V, 15A, SLOW-BLOW, CERAMIC, 6.35x31.8mm	1	1
18-3	DB26-10070A	TRANS-POWER	DC17, AC230, DC17, DC0.6A	1	1
18-4	3501-001231	SWITCH-MAGNET	220V, 50Hz, UH175GCM	1	1
18-5	DB61-00152A	CASE-PCB-OUT	AE-240E, T2.5, ABS, BLK	1	1
18-6	DB65-00074C	TERMINAL BLOCK-8P	UH175GCM	1	1
18-7	DB65-40062L	TERMINAL BLOCK-2P	UH175GCM	1	1
19	DB32-00021E	THERMISTOR-ASSY OUT	103AT, -20~+100, -, 5V	1	1
20	DB62-01793A	INSULATION-COMP SOUND	MUF-0911, FEKTM T12	1	1
21	DB90-00247A	ASS'Y BASE OUT	UH175GCM	1	1
22	DB90-01125A	ASS'Y CABI BACK-RH	UH175GCM	1	1
23	DB90-00144A	ASS'Y COVER-CONTROL	ASM-3500A	1	1
24	DB90-00626A	ASS'Y CABI-TOP	UH175GCM	1	1