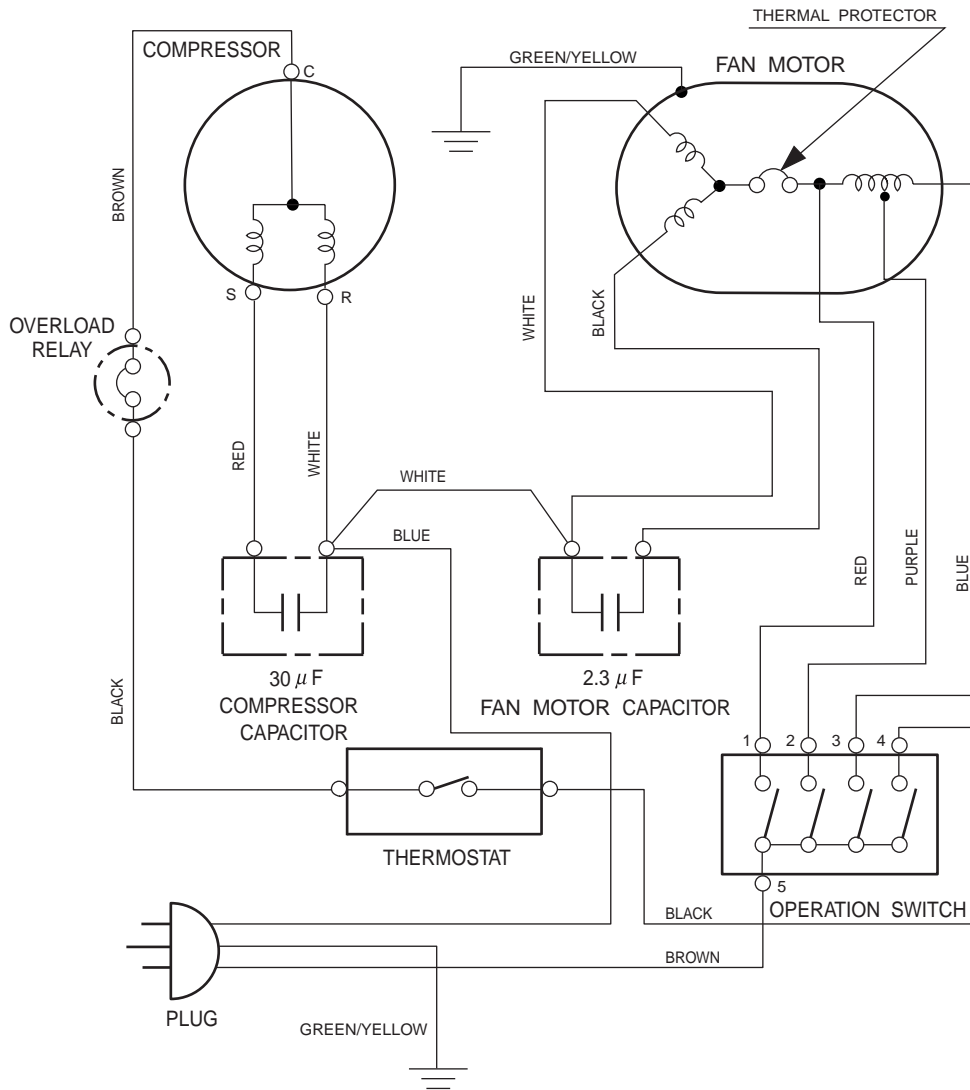
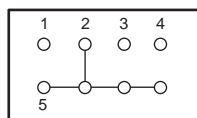


# CIRCUIT DIAGRAM

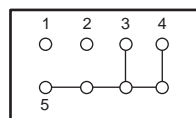
Model : AKH7AGG-W



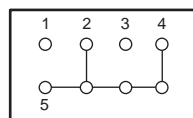
OPERATION SWITCH INTERNAL CONNECTIONS



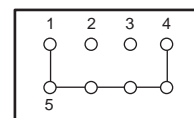
FAN



SUPER QUIET

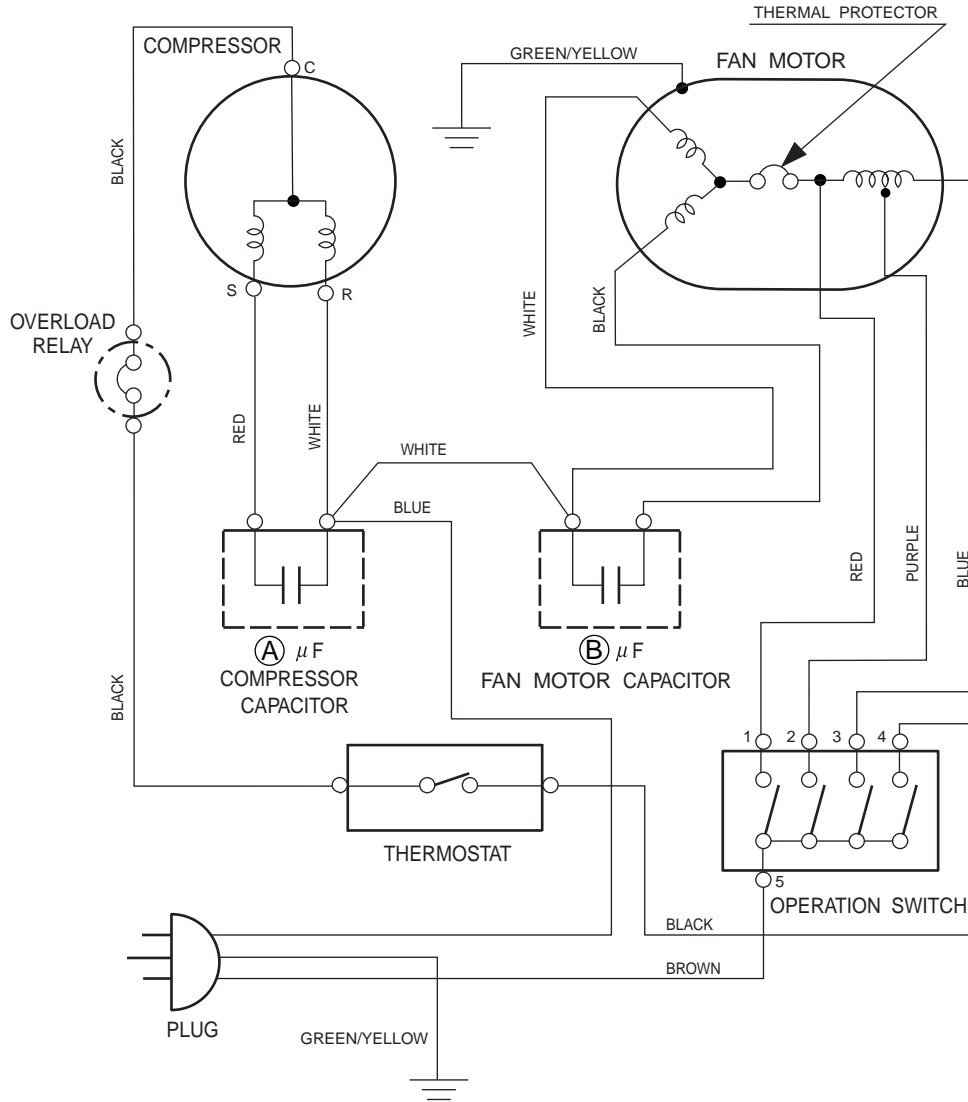


NORMAL

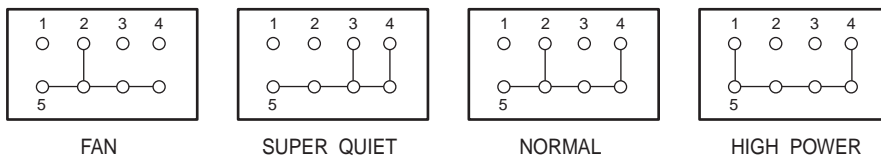


HIGH POWER

**Models : AKH7AGS-W  
AKH9AGN-W**

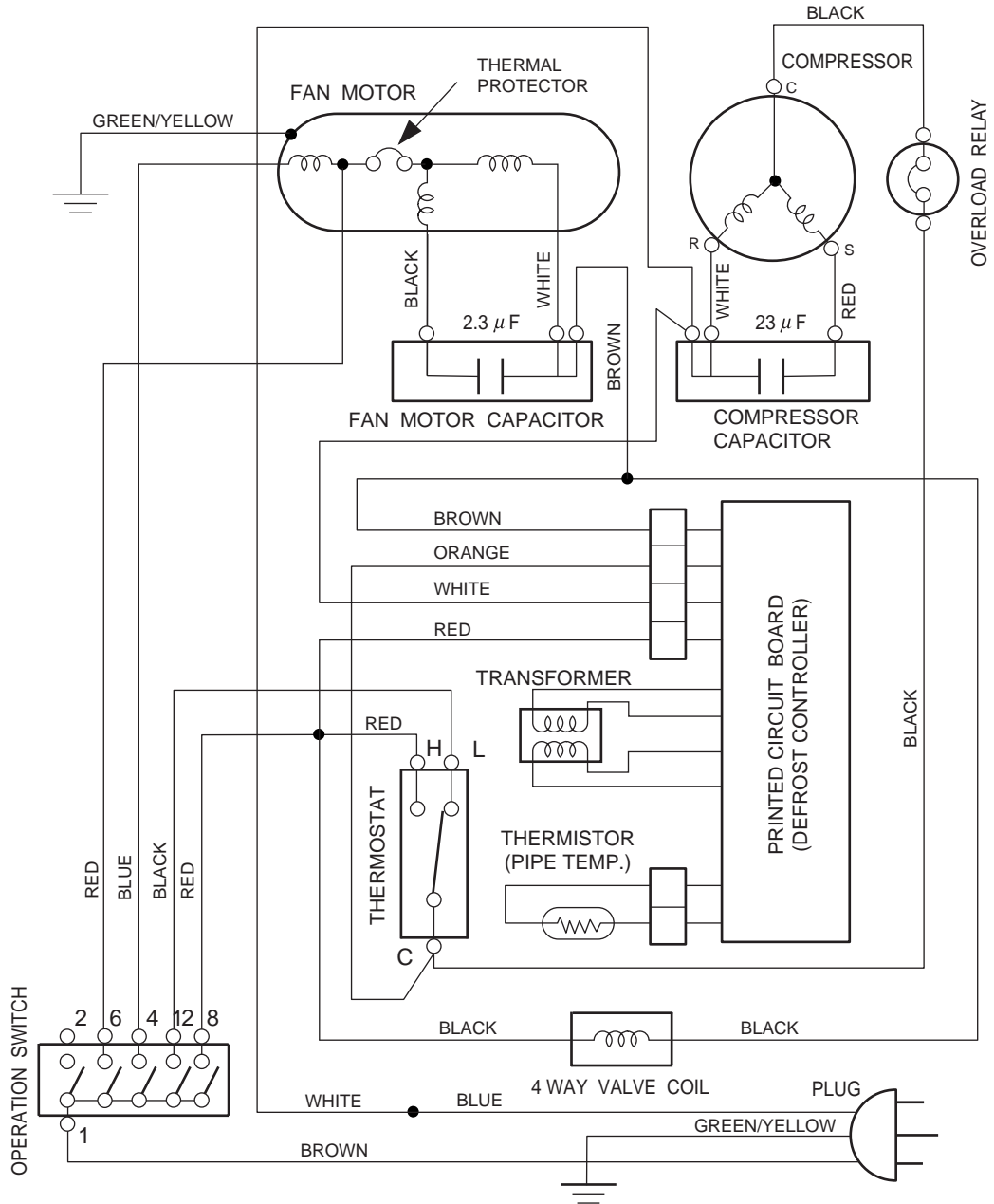


**OPERATION SWITCH INTERNAL CONNECTIONS**



Models	(A)	(B)
AKH7AGS-W	20	2.3
AKH9AGN-W	25	2.3

**Model : AKH9RGS-W**



**OPERATION SWITCH INTERNAL CONNECTIONS**

