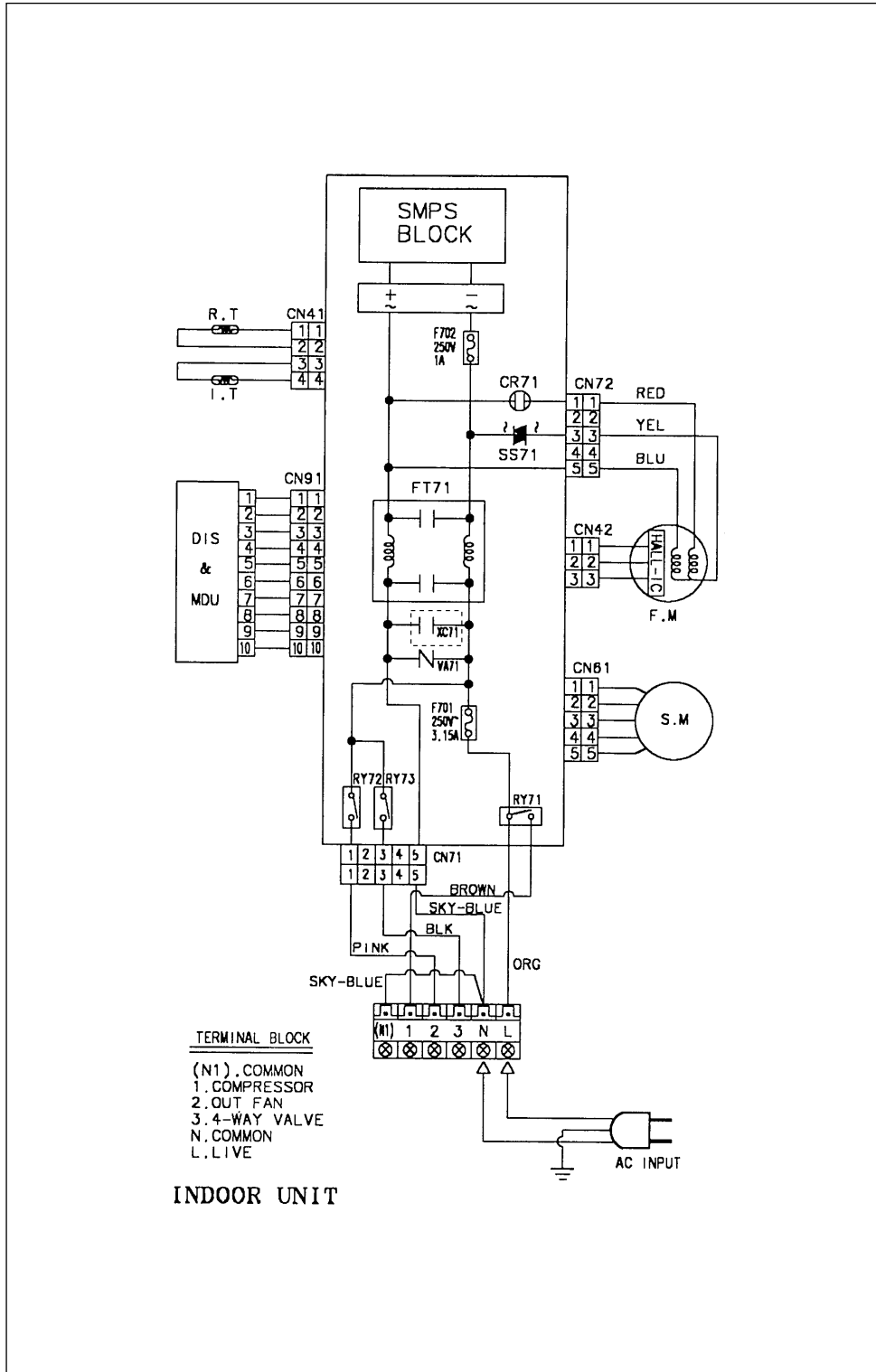


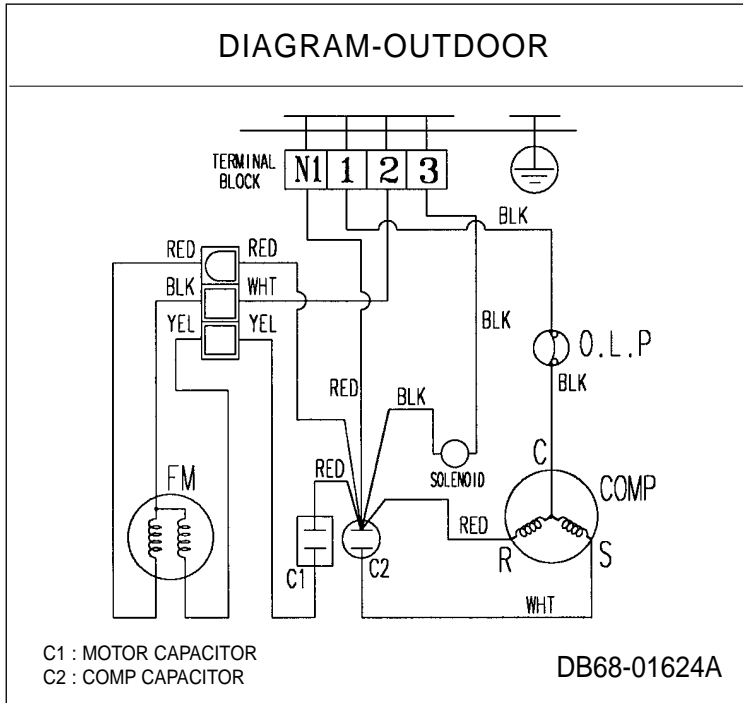
# 9. Wiring Diagrams

## 9-1 Indoor Unit

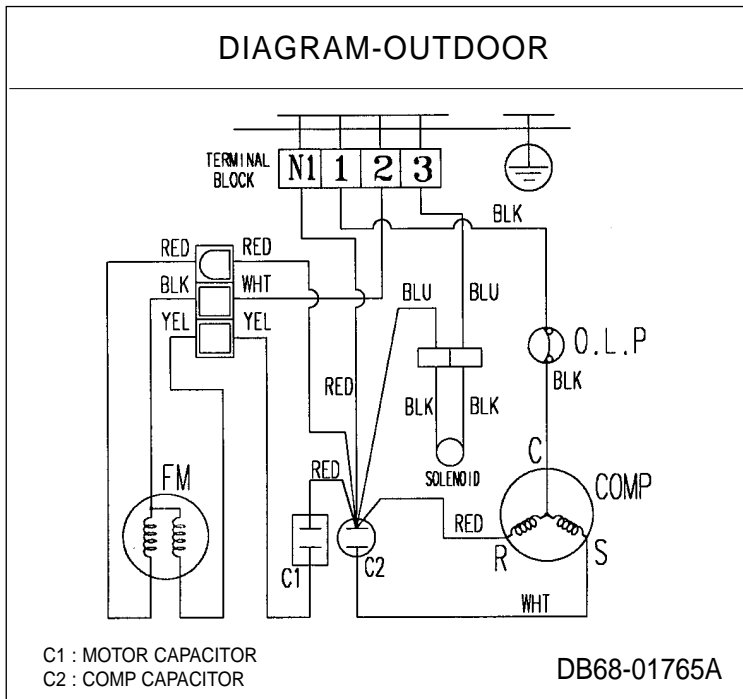


## 9-2 Outdoor Unit

• UQ\*\*\*5(6)\*\*/UQ\*\*09(0)\*\*/SH\*\*Z\*\*\*X



• UQ\*\*\*7(8)\*\* / SH\*\*Z\*7(8)X



# MEMO