



ROOM AIR CONDITIONER

**ALH22ANN-W**

(SUPER WAVE CHASSIS)

# SERVICE MANUAL

## C O N T E N T S

SPECIFICATIONS . . . . .	1
CIRCUIT DIAGRAM . . . . .	2
DISASSEMBLY ILLUSTRATION . . . . .	3
PARTS LIST . . . . .	6

## S P E C I F I C A T I O N S

MODEL	ALH22ANN-W
COOLING CAPACITY (kW)	6.30

### ELECTRICAL DATA

POWER SOURCE (V)	220
FREQUENCY (Hz)	50
RUNNING CURRENT (A)	10.3
STARTING CURRENT (A)	58
INPUT WATTS (kW)	2.25
FUSE (A)	20

### COMPRESSOR

TYPE	Hermetic type, Permanent split condenser 2 pole, Single phase, Induction motor
CODE	2JS386D3AA02 4 Leg 220-240V 50Hz
REFRIGERANT R-22 (g)	1,300

### FAN MOTOR

Code	MFC-247TT 220-240V 50Hz
HIGH POWER (r.p.m.)	1,215
QUIET (r.p.m.)	985

### DIMENSIONS

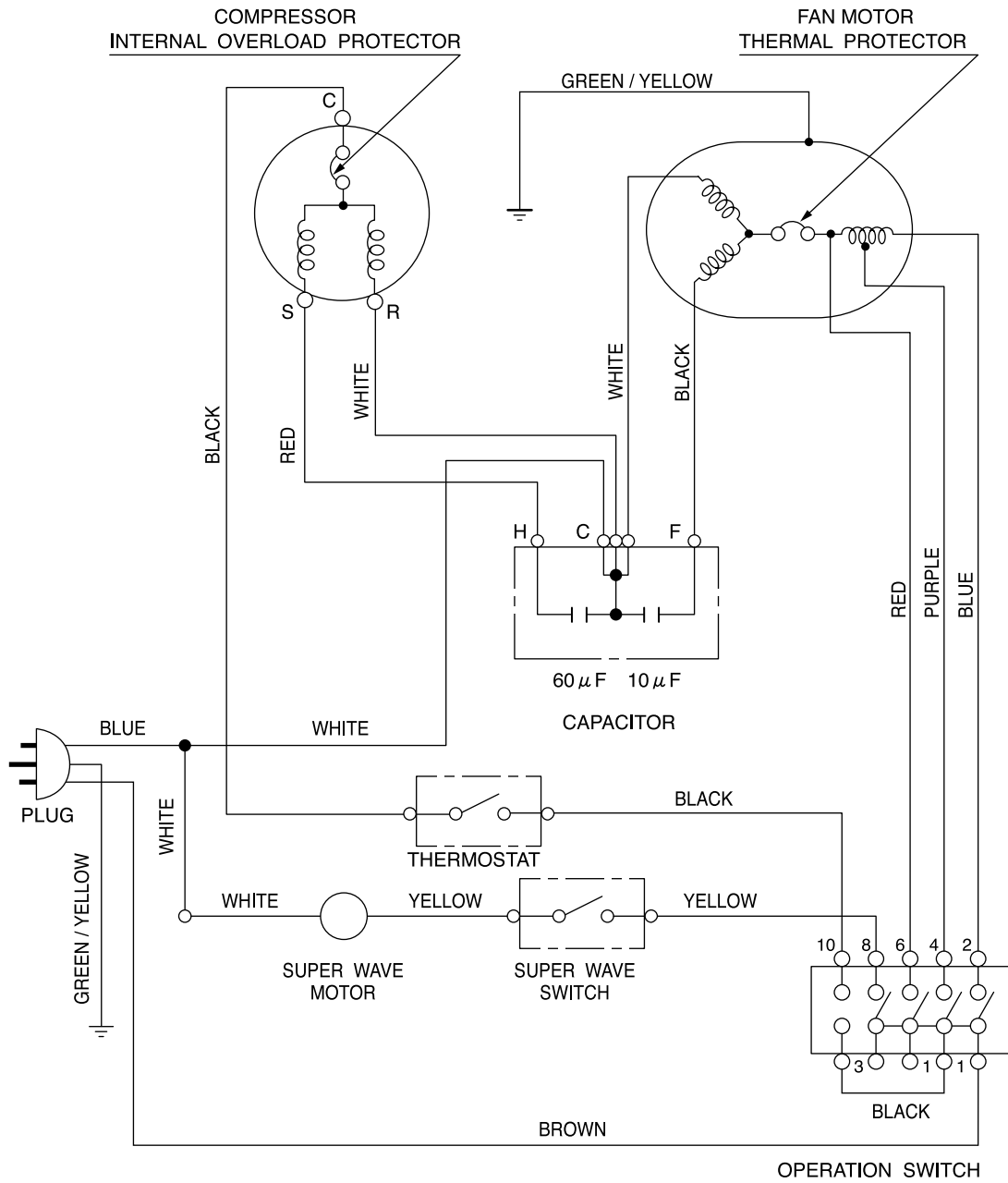
HEIGHT (mm)	16-7/8" (428)
WIDTH (mm)	27-15/16" (710)
DEPTH (mm)	34-9/16" (877)

### WEIGHTS

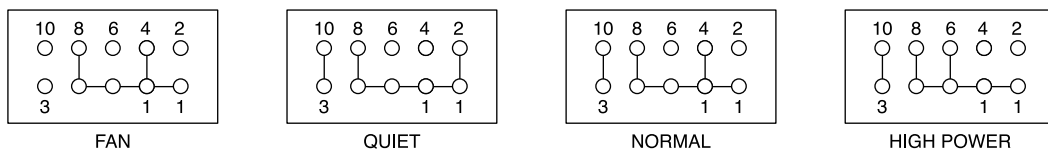
GROSS WEIGHT (kg)	93
NET WEIGHT (kg)	81

MOISTURE REMOVAL (ℓ/hr)	3.3
-------------------------	-----

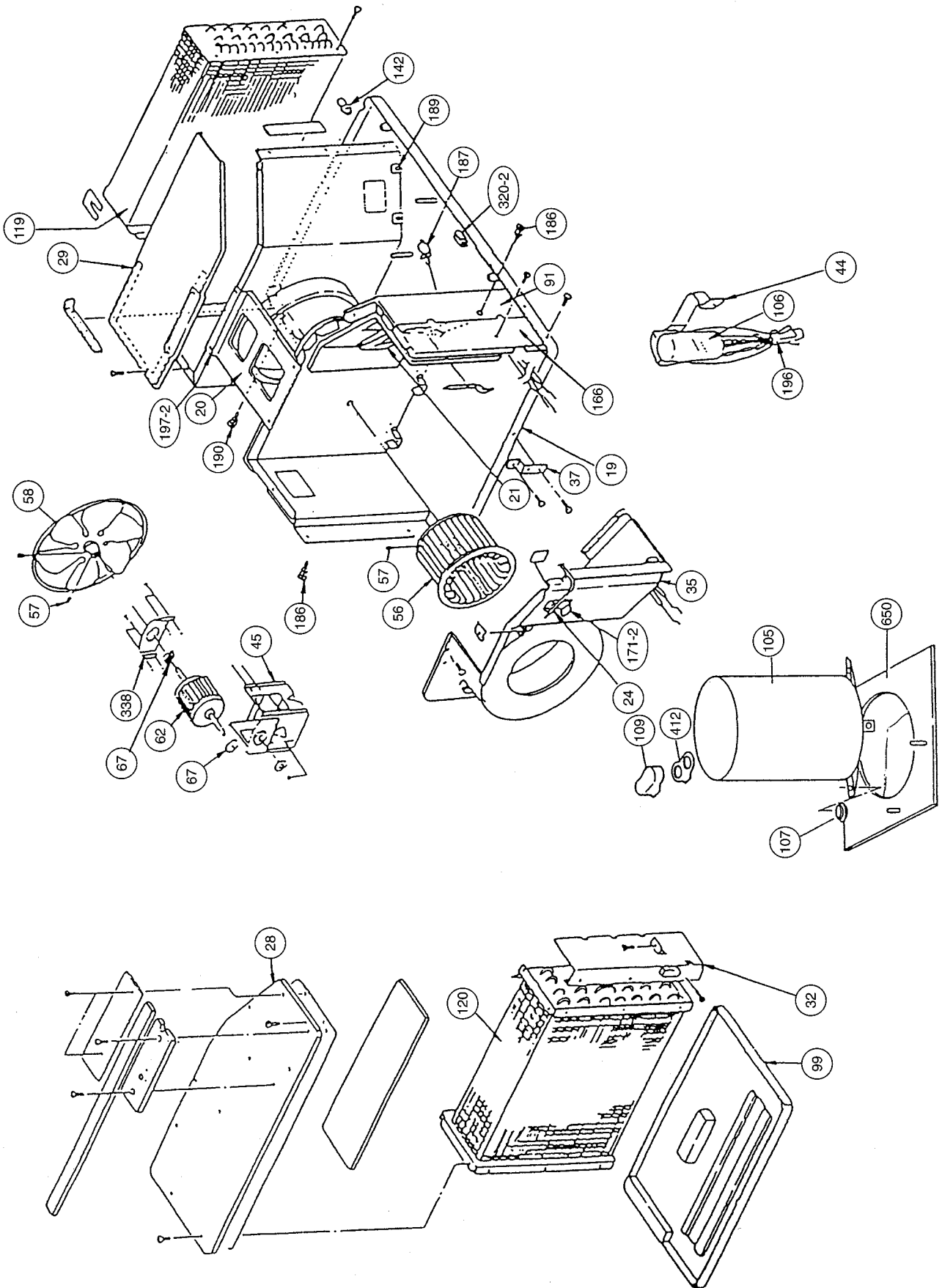
# CIRCUIT DIAGRAM

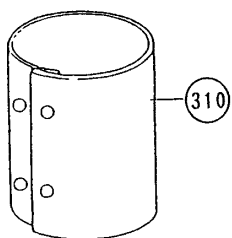
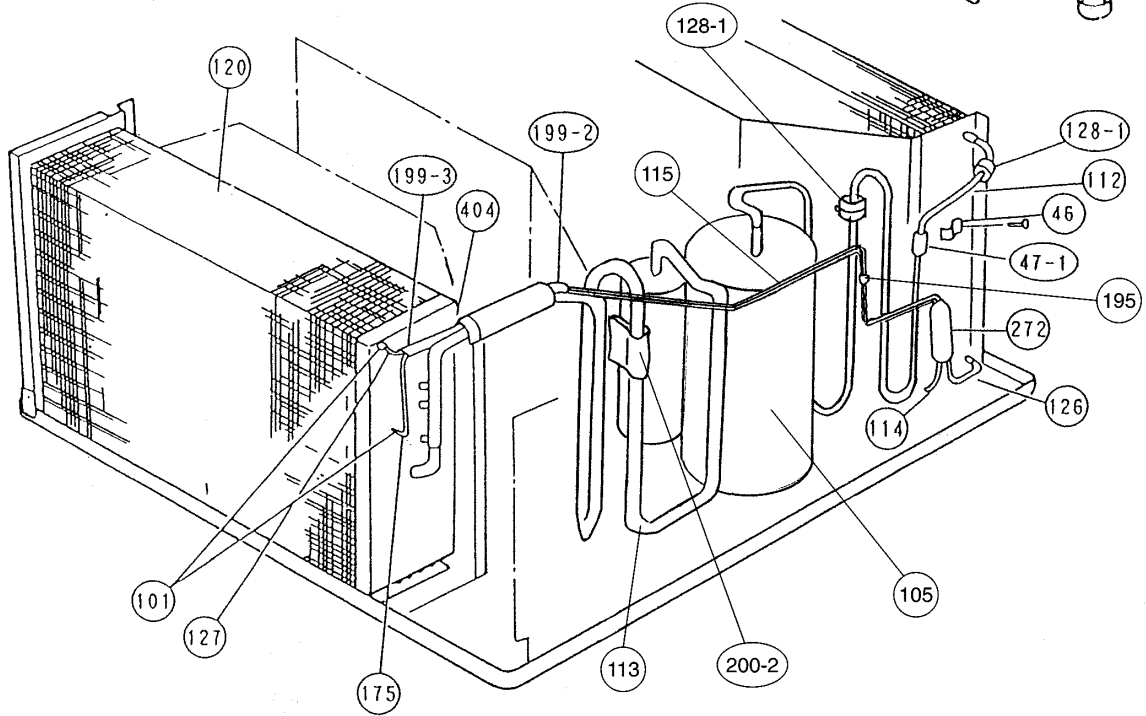
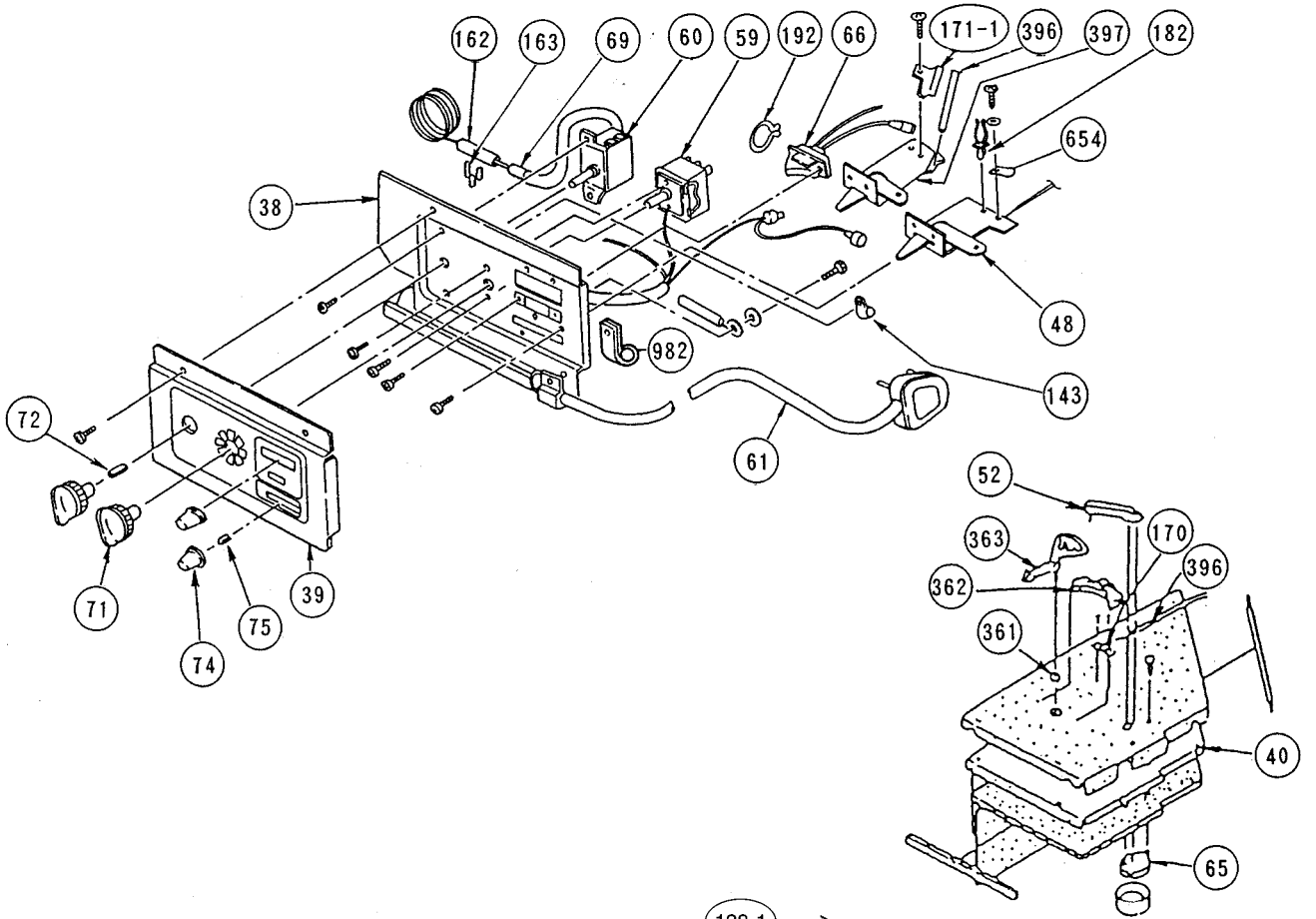


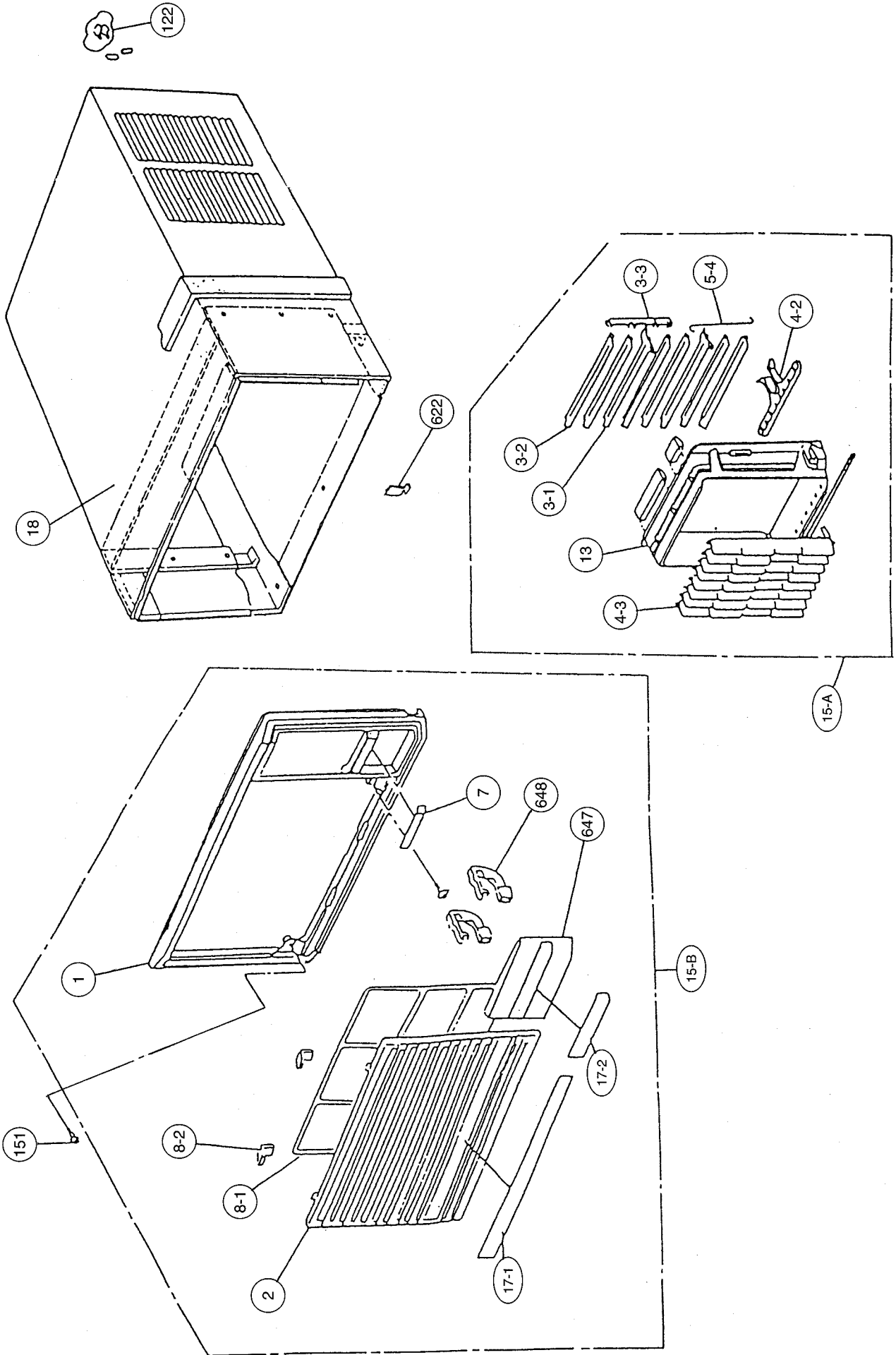
OPERATION SWITCH INTERNAL CONNECTIONS



# DISASSEMBLY ILLUSTRATION







## P A R T S L I S T

## FRONT PANEL PARTS

When you order parts, please make a photocopy of this page and fill the number of the parts in the "Order" column.

Ref. No.	Description	Part No.	Order Q'ty	Ref. No.	Description	Part No.	Order Q'ty
1	Front Panel	9353295019		8-2	Filter Clamp	9351413026	
2	Removable Panel	9353296016		13	Louver Frame	9352569012	
3-1	Louver-A	313687009100		15-A	Louver Frame Assy	9352854019	
3-2	Louver-C	313687009409		15-B	Front Panel Assy	9353294111	
3-3	Louver-D	313687009607		17-1	Decoration Plate-A (Removable Panel)	9354549005	
4-2	Louver Link-E	313816009705		17-2	Decoration Plate-B (Switch Panel Lid)	9352573019	
4-3	Louver-B	9352571015		647	Switch Panel Lid	9353301017	
5-4	Spring-C (Louver)	313687016305		648	Switch Panel Lid Arm	9351579029	
7	Emblem (Front Panel)	9352574016					
8-1	Filter Assy	9353300027					

## CABINET &amp; CHASSIS PARTS

Ref. No.	Description	Part No.	Order Q'ty	Ref. No.	Description	Part No.	Order Q'ty
		ALH22ANN-W				ALH22ANN-W	
18	Cabinet Assy	9389090022		115	Capillary Tube	313228082406	
19	Base Assy	9389084090		119	Condenser Assy	313035083109	
20	Supporter-C	313427126453		120	Evaporator Assy	9353964014	
21	Exhaust Air Damper	313361121208		122	Emblem-B (Rear)	313510088306	
24	Wire Lead-in Pipe	313041103003		126	Condensing Pipe-B	313228175806	
28	Blower Cover	313228041000		127	Inlet Pipe (Evaporator)-B	313837019605	
29	Supporter-B Assy	313361042203		128-1	Rubber (Discharge Pipe)	313155086308	
32	Evaporator Cover	313228121402		142	Drain Pipe	9351746018	
35	Spiral Plate	313361044100		143	Clamp NK-3N	313361274700	
37	E.Fixture	313228120108		151	Front Panel Screw	313221252806	
38	Switch Box-A	9358025000		162	Thermostat Holder	313616262803	
39	Switch Panel	9358117019		163	Thermo.Spring-A	313352262704	
40	Switch Box Cover	313822249729		166	Separate Wall	313228033206	
44	Capacitor Band (Running Capacitor)	9350067015		170	Clamp-B (Wire Lead-in Pipe)	313822119302	
45	Motor Fixing Table Assy	313006249901		171-1	Clamp-C (Wire Lead-in Pipe)	313822264807	
46	Pipe Absorber Clamp Metal	313394229806		171-2	Clamp-C (Wire Lead-in Pipe)	313041264800	
47-1	Rubber (Discharge Pipe)	313194159807		175	Inlet Pipe (Evaporator)-C	313837019303	
48	Damper Switch Assy	313710056110		182	Clamp No.249	313361271505	
52	Louver Arm	313822122108		186	Clamp No.347	313361271308	
56	Sirocco Fan Assy	313361047609		187	Clamp No.1219	313361271706	
57	Hex.Socket Screw	313616213202		189	Nut TFR-1	313618274407	
58	Propeller Fan Assy	313798048703		190	Nut TFR-3	313712274504	
59	Operation Switch	313851060108		192	Clamp.No.062	313361271402	
60	Thermostat	9354391000		195	Clamp SKB-100	313361275805	
61	Power Cord	9703244049		196	Clamp SKB-150	313035356905	
62	Fan Motor Assy	9600659021		197-2	Wind Guide Board-A ASSY	313427272155	
65	Super Wave Motor	9357535012		199-2	BR Sheet	313414108209	
66	Super Wave Switch	9354272002		199-3	BR Sheet	313102108205	
67	Rubber (Vibration proof)	313659068604		200-2	BR Sheet-B	9351990022	
69	Protection Tube (Thermostat)	313337060303		272	Strainer	9350203017	
71	Thermostat Knob	9351541026		310	Compressor Cover	9365006009	
72	Knob Spring (Thermostat Knob)	313008061010		320-2	Wire Clamp Metal-B	313874219907	
74	Operation Knob	313482059201		338	Motor Fixture	313006297103	
75	Knob Spring (Operation Knob)	313061128802		361	Bushing	313822302108	
91	Insulation-G	313710075709		362	Guide Plate	313822301803	
99	Drain Pan	313361046115		363	Moving Plate (Switch Box Cover)	313822301905	
101	Inlet Pipe (Evaporator)-A	313354019106		396	Wire Lead-in Pipe (C)	313822330607	
105	Compressor Assy	9364842004		397	Select Lever Assy	313822336015	
106	Running Capacitor	9703127090		404	Coupling Pipe-F	313711122706	
107	Rubber Seat-A (For Comp.)	9351049010		412	Terminal Gasket (For Comp.)	9351051013	
109	Terminal Cover (For Comp.)	9351048013		622	Bracket (Typhoon Look)	9355835008	
112	Discharge Pipe	9365012000		650	Compressor M.Bracket	9351817015	
113	Suction Pipe	9365007006		654	Clamp-A (Wire Lead-in Pipe)	313061103204	
114	Air Duct Pipe-E	313252257206		982	Cord Clamp	9357886008	

