

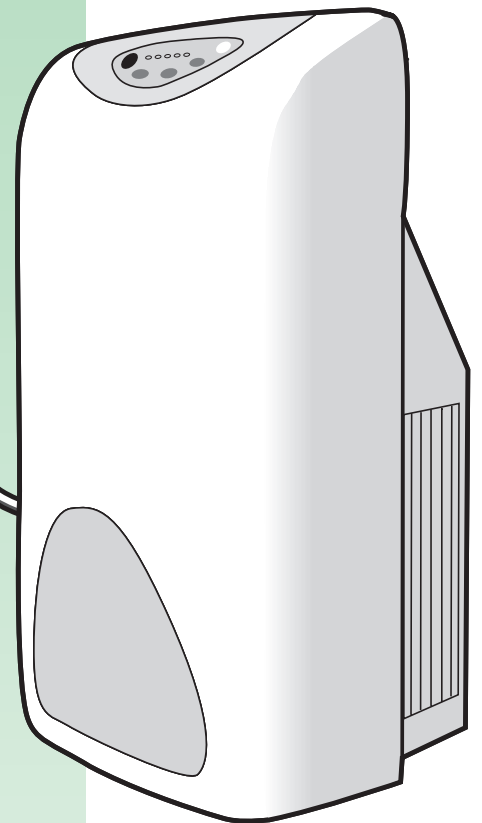
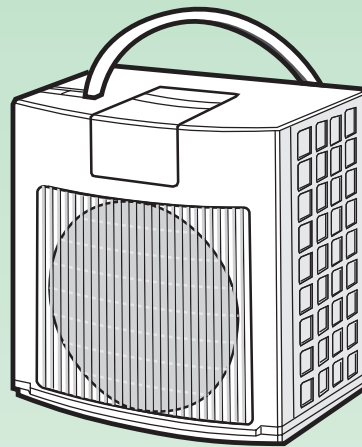
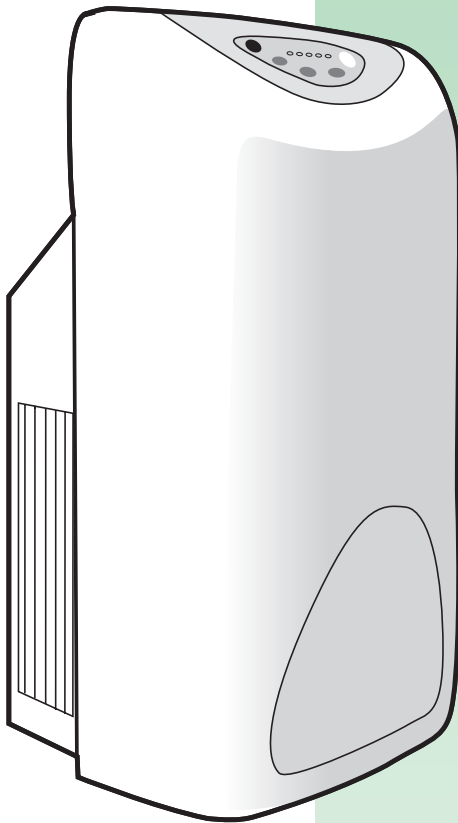


**51AKS**

*Holiday Elite*



**CE**



**OWNER'S MANUAL**

This manual applies to the following models

## Stand-alone

**51AKS 008**

**51AKS 108**

## Split

**51AKS 009**

**51AKS 109**

**51AKS 012**

**51AKS 112**

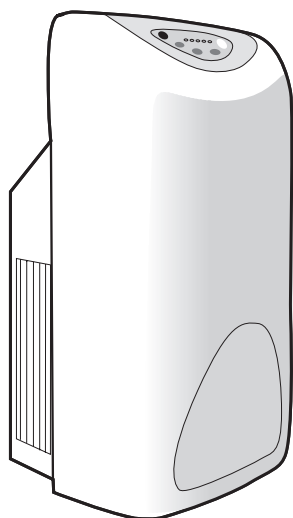
**51AKS 015C**

Read this instruction manual thoroughly before using the air conditioner.

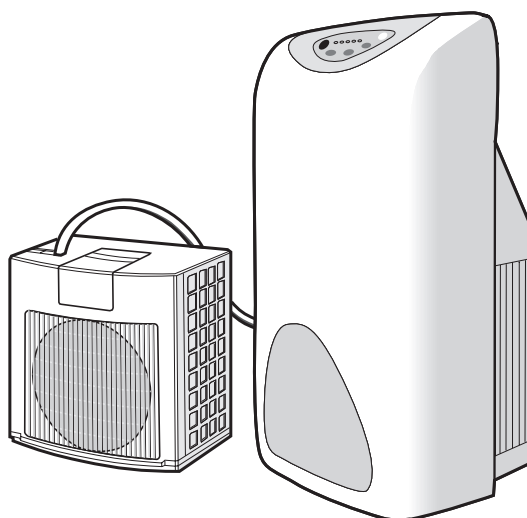
## Contents

	Page
Control panel .....	1
Accessories supplied .....	2
General information .....	2
Correct use .....	3
Preparing to use (Stand-alone) .....	4/5
Preparing to use (split) .....	6/7
Cooling with dehumidification .....	8
Dehumidification .....	8
Heating .....	9
Fan only .....	9
Timer programming .....	9/10
Night functioning .....	10
Fast couplings .....	11
In case of .....	12
Autodiagnosics .....	12
Cleaning .....	13

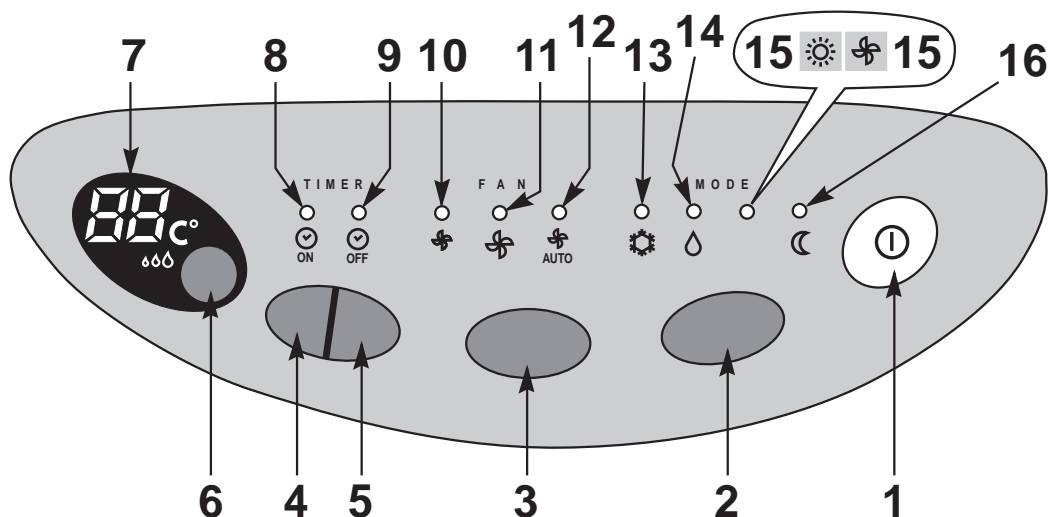
### STAND-ALONE



### SPLIT



## Control panel



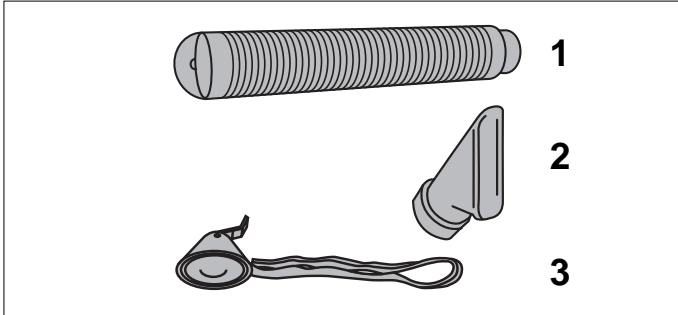
- |   |  |   |
|---|--|---|
| 1. ON-OFF button  | 7. Selected temperature, dehumidification capacity and programming times display | 13. Cooling LED                                   |
| 2. Mode selector  | 8. ON timer LED  | 14. Dehumidification LED                          |
| 3. Fan speed selection button                                 | 9. OFF timer LED   | 15. Heating LED (mod. 51AKS 108, 109, 112)        |
| 4. Timer operation ON   | 10. Low fan speed LED  | 15. Fan only LED (mod. 51AKS 008, 009, 012, 015C) |
| 5. Timer operation OFF  | 11. High fan speed LED   | 16. Night function LED                            |
| 6. Temperature and dehumidification capacity selection button | 12. Automatic fan speed LED  |   |

## Accessories supplied

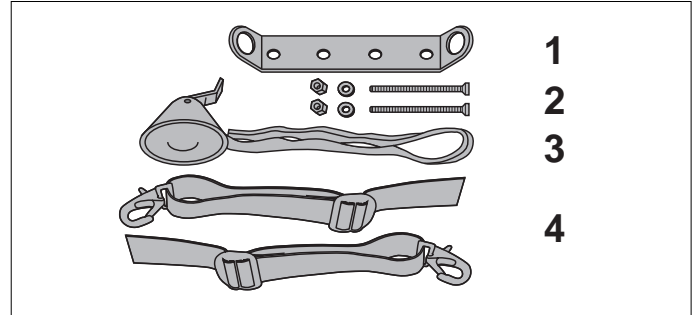
1. Flexible hose
2. Air outlet vent
3. Fastening strap with suction cup

1. Mounting brackets for the outdoor unit
2. Screws, nuts and washers for fixing the mounting brackets
3. Fastening strap with suction cup
4. Strap with spring-clips

### STAND-ALONE



### SPLIT



## General information

- Check that the power supply at the installation site is 230V (min. 198V - max. 264V).
- The unit installation must comply with all applicable local and national regulations.
- **The appliance must always be earthed.**
- Do not locate the air conditioner under dripping water (e.g.: clothes hung up to dry).
- **IMPORTANT:** Non-compliance with these safety standards constitutes a fire hazard in the event of a short-circuit.
- The manufacturer does not accept liability if the safety standards are not observed.
- This unit complies with low-voltage (EEC/73/23) and electro-magnetic compatibility (EEC/89/336) directives.
- Inspect equipment for damage due to improper transportation or handling: In case of damage, file an immediate claim with the shipping company.
- Do not use damaged equipment. In case of a malfunction turn the unit off, disconnect the plug from the power socket and contact a qualified service engineer.
- Use the unit only for factory approved applications.
- This equipment contains coolant. Maintenance of the refrigerant circuit must only be carried out by qualified personnel.
- This equipment contains coolant that must be disposed of in a proper manner. When disposing of the unit after its

operational life, remove it carefully. The unit must then be delivered to an appropriate disposal center or to the original equipment dealer, for proper environmentally friendly disposal.

- **All of the manufacturing and packaging materials used for your new appliance are compatible with the environment and can be recycled.**
- Dispose of the packaging material in accordance with local requirements.
- It is recommended to install a circuit breaker or a 16 A safety fuse upstream of the supply switch.
- If an extension lead is needed (up to 25 m) make sure that the wire section is not less than 1.5 mm<sup>2</sup> (mod. 51AKS 08 - 09 - 12). For mod. 51AKS 015C the cable section must be at least 2.5 mm<sup>2</sup>.

#### STAND-ALONE unit performance

The unit is suitable for operating within the following temperature limits according to the Ashrae 128-1989 standards:

- cooling:**  
min. 18°C - max. 35°C.
- dehumidification:**  
min. 18°C - max. 27°C.
- electric heating:**  
(Max. 29°C when is present).

#### SPLIT unit performance

refer to ISO 5151.2/T1:  
indoor temperature: 27°C d.b. - 19°C w.b.  
outdoor temperature: 35°C d.b. - 24°C w.b.  
The unit is designed to operate within the following temperature limits:

##### cooling:

indoor temperature: min. 18°C - max. 32°C  
outdoor temperature: min. 21°C - max. 46°C.

**dehumidification:** min. 18°C - max. 32°C

##### electric heating:

(Max. 29°C when is present).

#### IMPORTANT: for UK only

The wires in this mains lead are coloured in accordance with the following code:

**Green-and-Yellow** : Earth  
**Blue** : Neutral  
**Brown** : Live

As the colours of the wires in the main lead of this appliance may not correspond with the coloured markings identifying the terminals in your plug, proceed as follows:

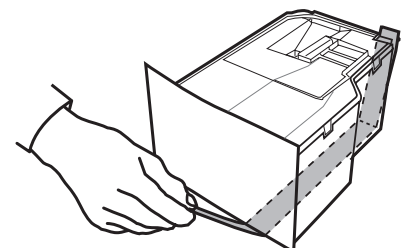
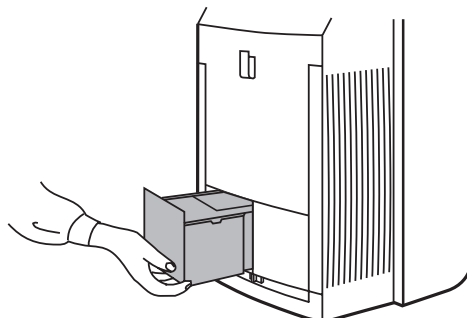
- The wire which is coloured **green-and-yellow** must be connected to the terminal in the plug which is marked with the letter **E** or by the earth symbol or coloured green or green-and-yellow.
- The wire which is coloured **blue** must be connected to the terminal which is marked with the letter **N** or coloured black.
- The wire which is coloured **brown** must be connected to the terminal which is marked with the letter **L** or coloured red.

#### IMPORTANT

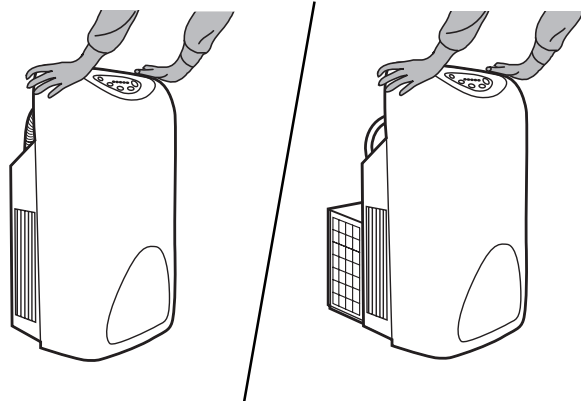
At first start-up of the unit proceed as follows:

- take out the water tank at the rear of the air conditioner
- remove the adhesive tape strip
- replace the tank correctly in its position

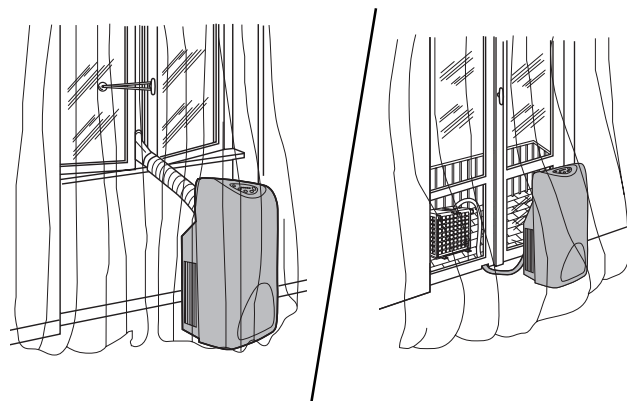
If the above procedure is not followed, the unit will not operate and indicate a fault.



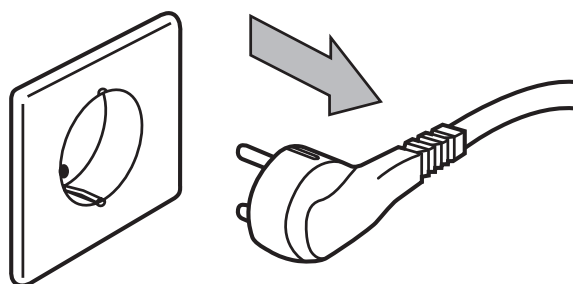
**Correct use**



The outdoor unit may be hung on the back of the indoor unit with the flexible tube neatly coiled, but never kinked, to allow air conditioner to be moved from room to room. It is recommended to move the unit holding the front panel as illustrated.



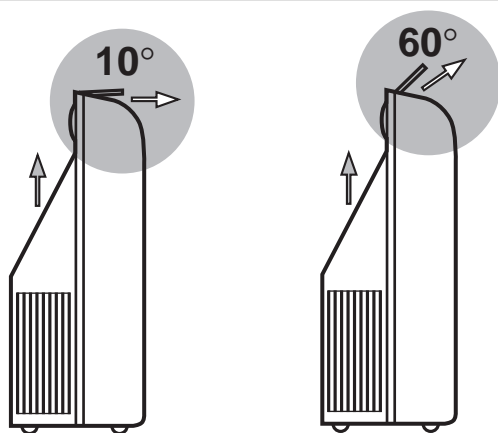
Do not obstruct the sides, front and rear grille with curtains or other objects.  
Do not put objects on the unit.  
The distance between the aspiration grills and any walls, furniture or obstructions of all kinds must be at least 100 mm.



Always disconnect the cable from the power socket before moving or cleaning the unit.  
**NEVER** use the plug to switch the unit on or off.

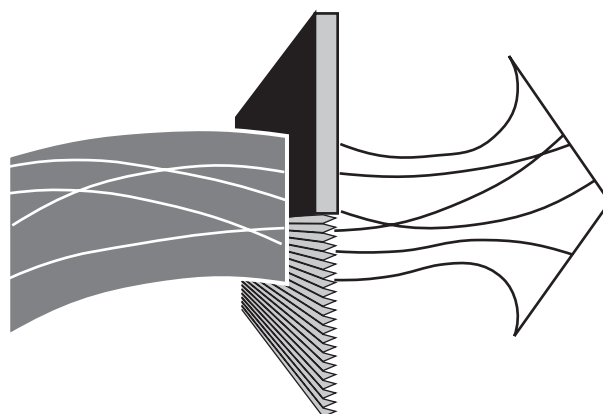


If the air conditioner is switched off and immediately switched on again there will be a 3-minute delay before the compressor starts up, to ensure the correct operation of the unit.



**Adjusting the air flow direction**

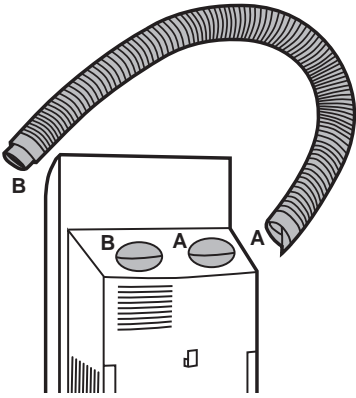
The air conditioner has a guide vane at the top that can be adjusted to any angle between 10° (partially closed) and 60° (fully open).  
Depending on the angle, the air flow direction changes as shown.  
**NEVER** use the air conditioner with the guide vane closed.



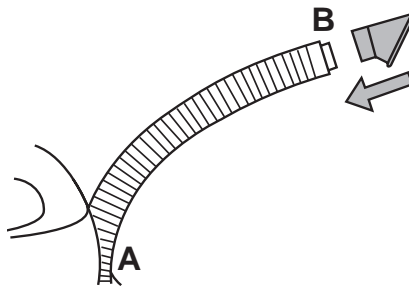
**High efficiency Air Quality Filter** (accessory)  
The high efficiency air filter, ordered separately, permits cleaner air with pollen, bacteria, tobacco smoke etc., filtered out.  
Order code: 51AK-900---001-40.

## STAND-ALONE

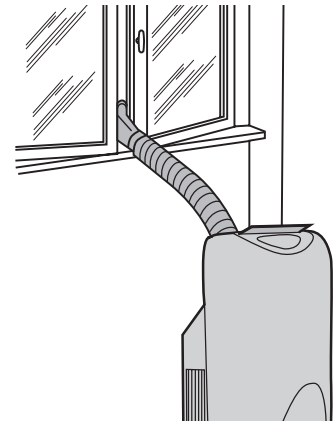
### Preparation for: cooling with dehumidification



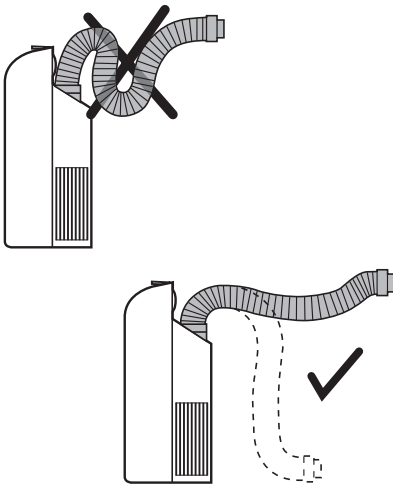
The flexible pipe supplied with the unit is positioned in the rear part. Insert end **A** into the seat provided and leave end **B** free.



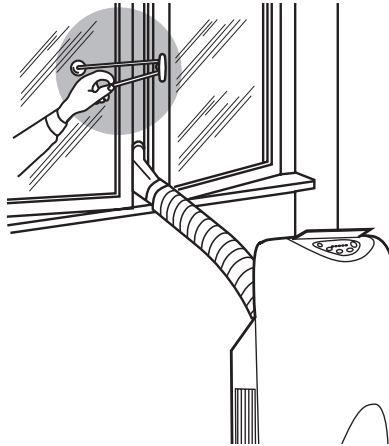
Insert the air expulsion outlet into end **B** of the flexible pipe.



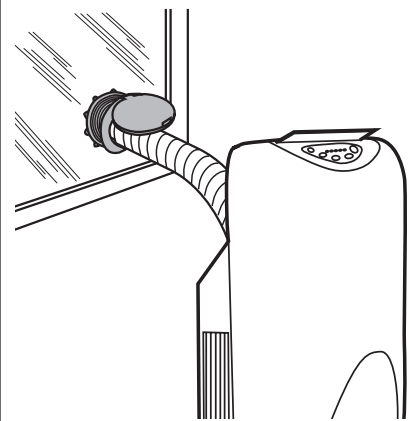
Move the air conditioner close to the window, stretching the hose as little as possible (max. extension 1100 mm). Place the air outlet end of the flexible hose outside the window.



Make sure that the tube is not kinked or curved too tightly.



Hold the hose end in position with the fastening strap and suction cup. **Ensure that the expulsion of hot air from the pipe is free from obstacles.**

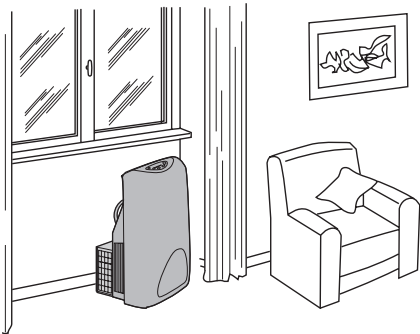


#### Kit for glass or wall installation (accessory)

If required, the air conditioner can be installed through a porthole in the window or through a hole in the wall. This accessory is available separately. Order code: 51DP-900---011-40.

## STAND-ALONE

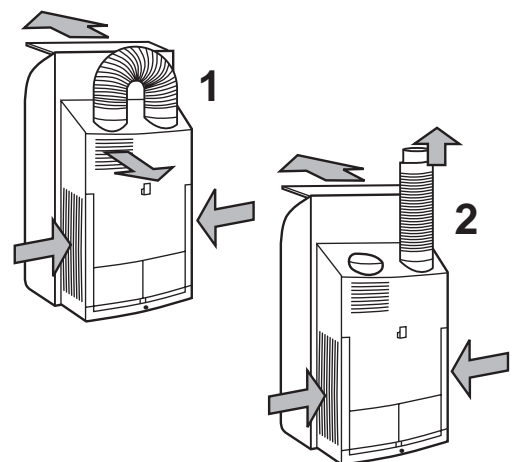
### Preparation for: dehumidification

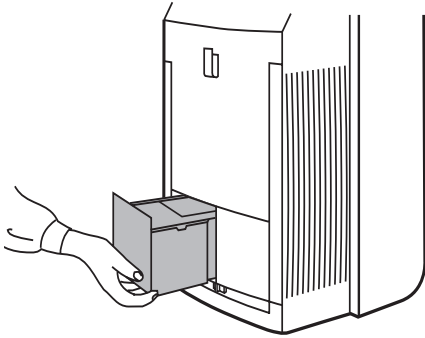


The dehumidification only function should be used if you want to remove moisture from the room air without lowering the temperature.

The flexible hose should be positioned in one of the following ways:

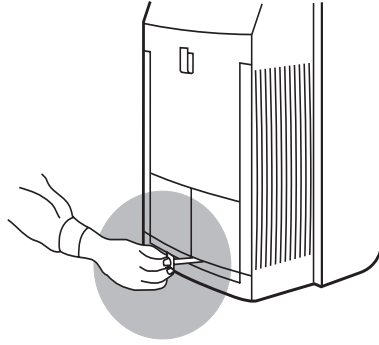
- 1 - With both hose ends inserted in the appropriate holes. In this case the unit must be placed at least 500 mm away from the wall, as the air will be discharged at the front and the back.
- 2 - Vertical direction. In this case the air will be discharged from the front and from the top part of the hose.





To empty the tank, **switch the unit off and remove the plug from the power supply socket.**

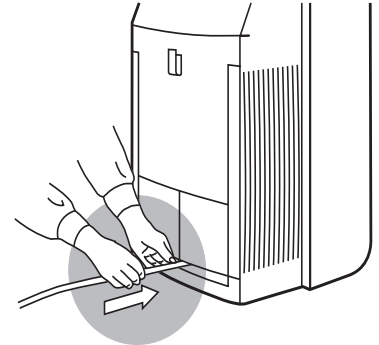
Take out the full water tank on the rear side of the unit and empty it. Then replace it correctly in its position.



In certain applications, when a floor drain may be available and it may be easier to use the drain tube to remove the condensate water directly.

Proceed as follows:

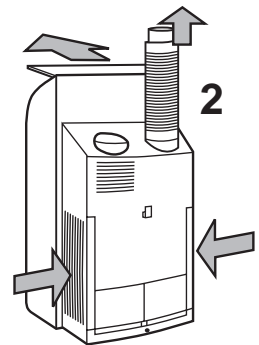
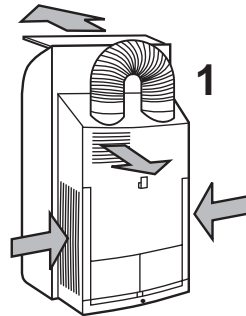
- Pull out the 60 mm long condensate drain tube and remove the plug.



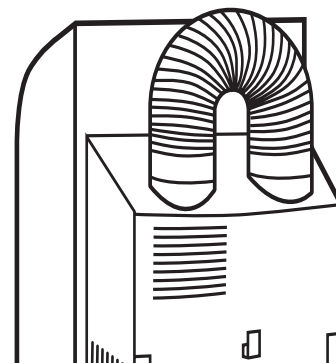
- Connect the drain tube to the floor drain using a rubber tube. After use remember to put the plug into the drain tube and to replace the tube in its position.

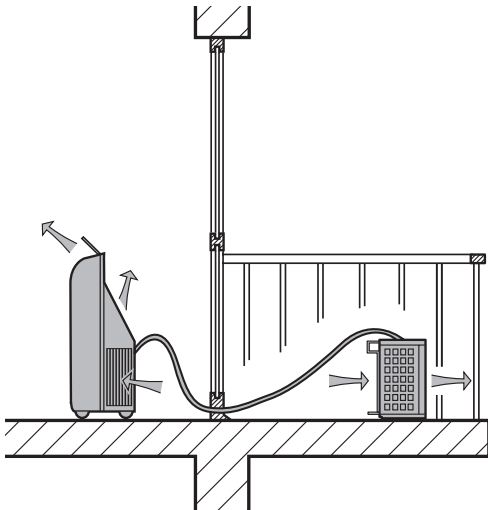
The flexible hose should be positioned in one of the following ways:

- 1 - With both hose ends inserted in the appropriate holes. In this case the unit must be placed at least 500 mm away from the wall, as the air will be discharged at the front and the back.
- 2 - Vertical direction. In this case the air will be discharged from the front and from the top part of the hose.

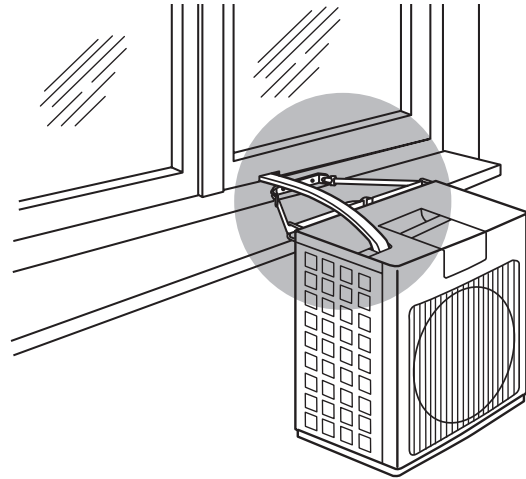


If the air conditioner is to be used in the fan only mode (ventilation) the ends of the flexible hose should be inserted in the appropriate hole at the rear of the unit as shown.

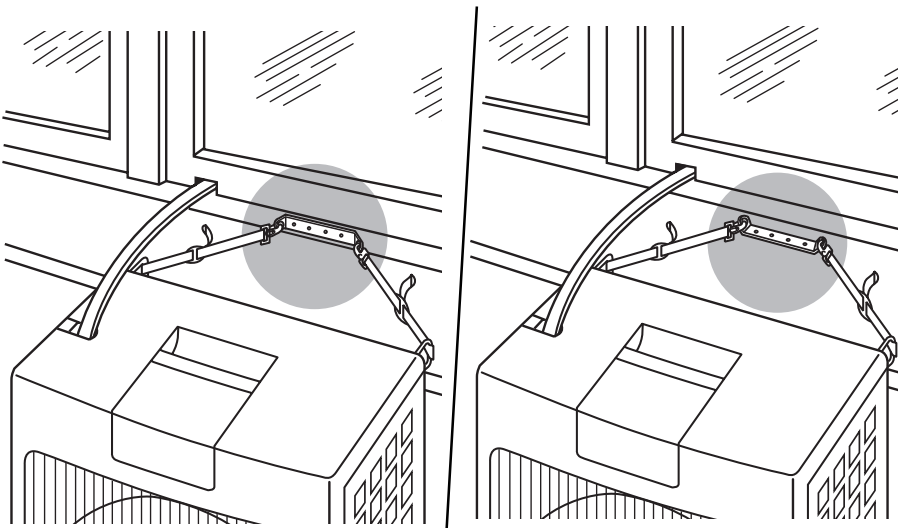




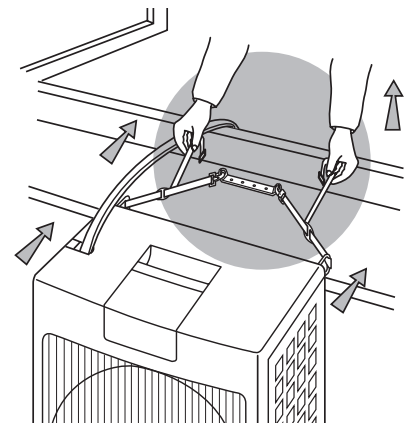
Move the air conditioner close to the window. Place the outdoor unit outside, ensuring that air can circulate freely around and through the unit.



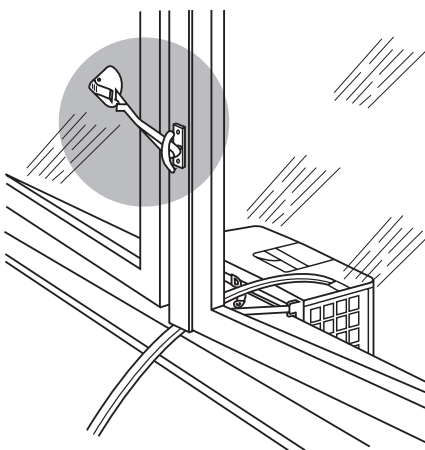
Outdoor section may be placed on the ground or a balcony or hung from a window sill using the straps and bracket provided.



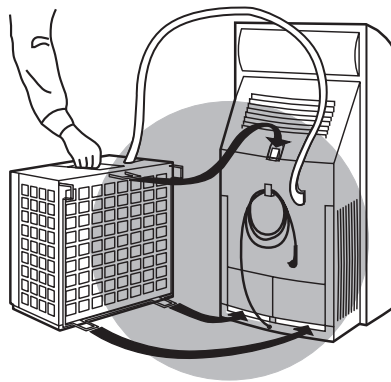
For window sill installation use the supplied bracket and screws. Fix the bracket to the window sill as shown.



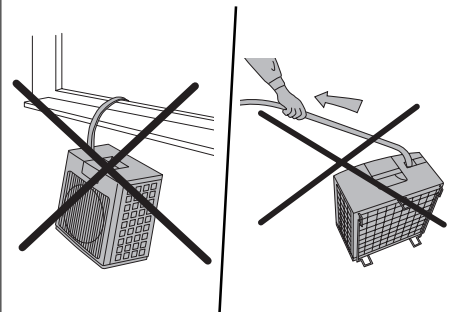
Secure the casing to the bracket with the spring-clips at the end of the straps. Adjust the length of the straps so that the casing is level. This will help with the discharge of the condensate water.



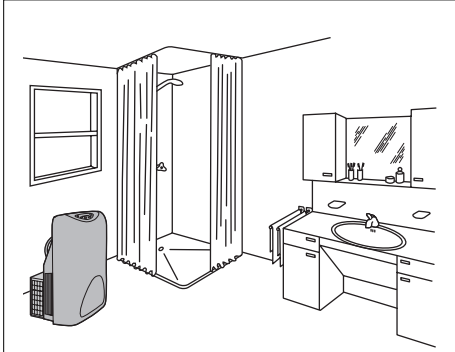
The flexible tube can be trapped between two shutters set ajar. For this solution, use the window suction cup supplied, as shown.



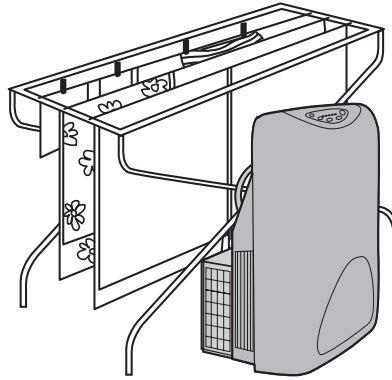
When the unit is not in use, coil the power cord, hang it on the hook supplied and hang the outdoor unit on the back of the indoor unit.



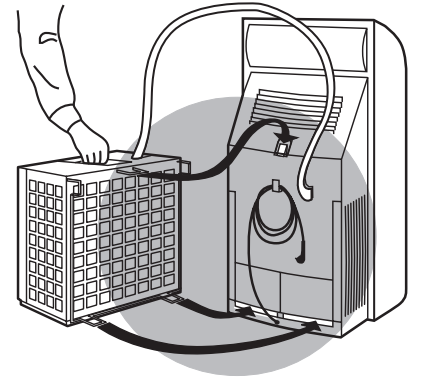
Never let the outdoor unit hang on the flexible tube. **NEVER** move either unit by pulling on the flexible tube.



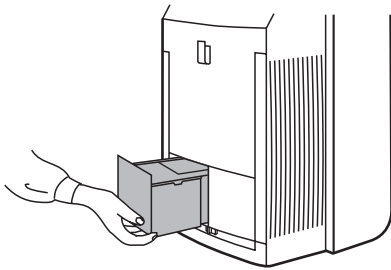
The dehumidification only function should be used if you want to remove moisture from the room air without lowering the temperature.



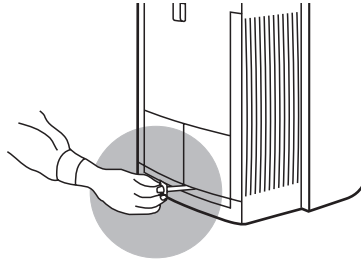
Position both the indoor and outdoor units in the room you want to dehumidify (cellar, garage, warehouse).



To empty the tank, **switch the unit off and remove the plug from the power supply socket.** Remove the outdoor unit if it is connected to the indoor unit.

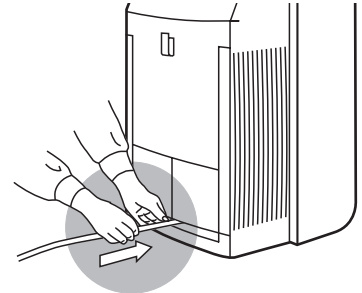


Take out the full water tank on the rear side of the unit and empty it. Then replace it correctly in its position.

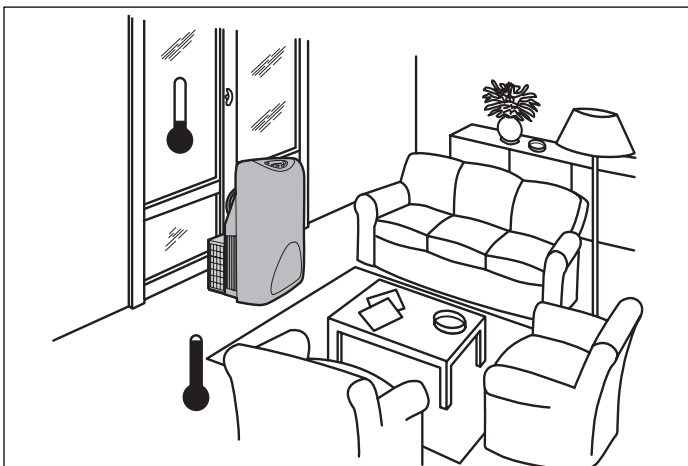


In certain applications a floor drain may be provided and it may be easier to use the drain tube to remove the condensate water directly.  
Proceed as follows:

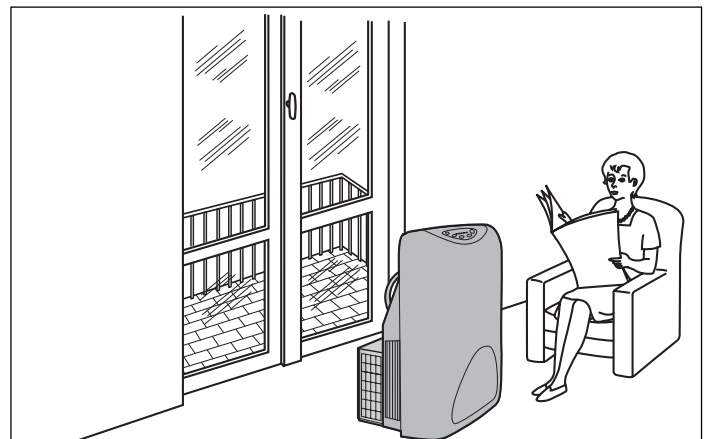
- Pull out the 60 mm long condensate drain tube and remove the plug.



- Connect the drain tube to the floor drain using a rubber tube. After use remember to put the plug into the drain tube and to replace the tube in its position.



When heating, the outdoor unit can be placed either outside or inside the room to be heated.

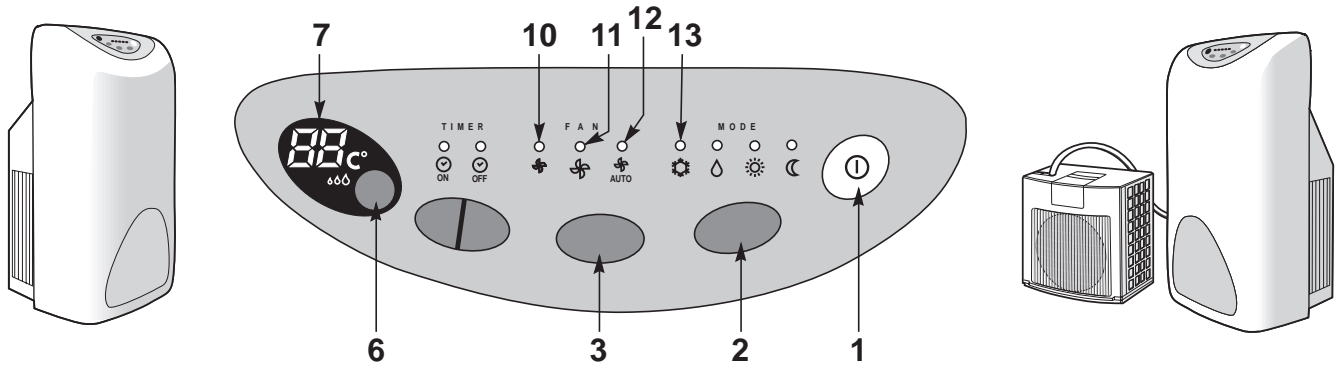


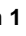
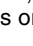
In the "fan only" function, the air is circulated in the room without any temperature modification. The outdoor unit can be positioned differently, either inside or outside the room.



# CONTROL PANEL

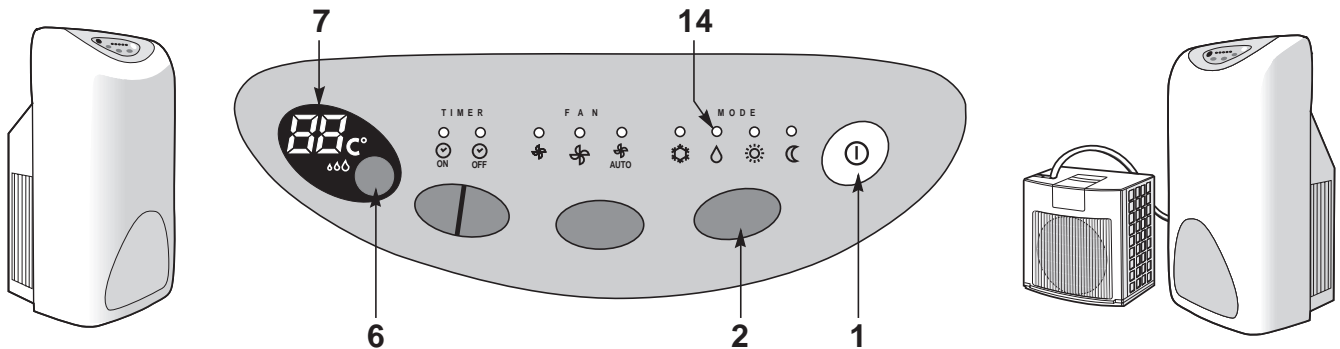
## Cooling with dehumidification


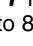


- Switch on the unit by pressing button 1 .
- Using the function selector, button 2, select the cooling mode. The cooling LED 13  illuminates on the panel.
- By pressing the temperature selector, button 6, select the desired temperature which will appear on the display 7.
- Using the fan speed selector, button 3, select the fan speed which may be low, high or automatic. If you select Auto mode the air conditioner will automatically select the most suitable speed for the room temperature and the LED 12 illuminates on the control panel. If you select low or high speed, LED 10 or 11 is illuminated.

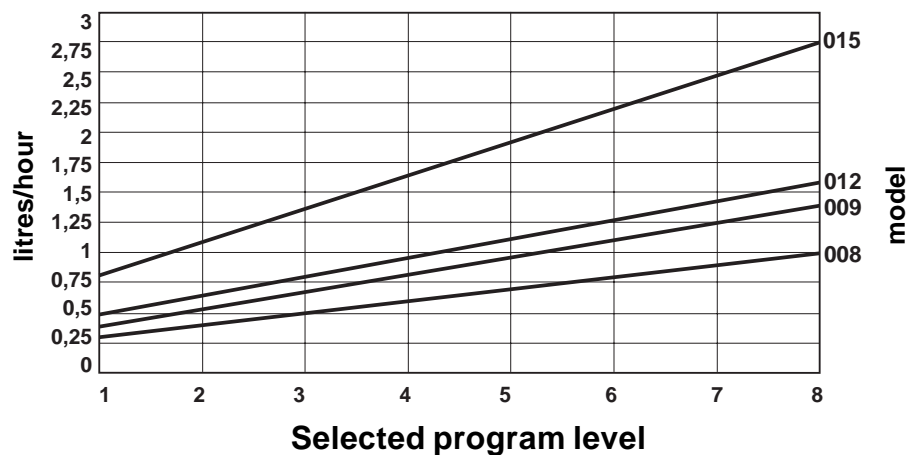
# CONTROL PANEL

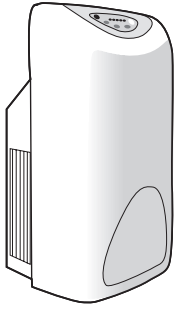
## Dehumidification



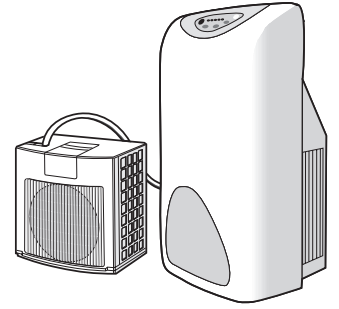
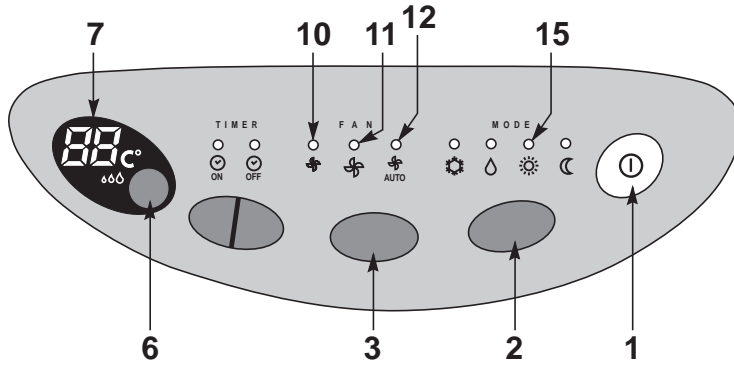
- Press button 1 .
- By pressing the operation selector, button 2, select the dehumidification mode. LED 14  illuminates on the panel.
- Select the dehumidification capacity by pressing button 6, on a scale from 1 (low) to 8 (high) depending on the room size and dehumidification requirement. Display 7 indicates the selected dehumidification capacity from 1 to 8.
- The air conditioner automatically selects the fan speed.

### 51AKS Range... Dehumidification capacity according to the AHAM DH1 standard



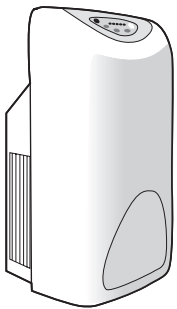


Mod. 51AKS 108

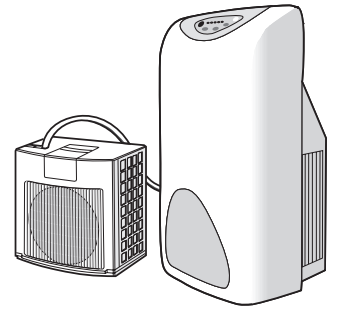
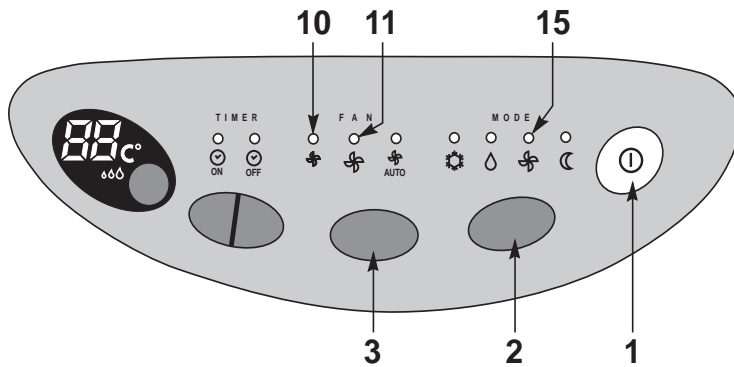


Mod. 51AKS 109, 112

- Press button 1 (I).
- By pressing the operation selector, button 2, select the heating mode. Heating LED 15 illuminates on the control panel.
- Press the temperature selector, button 6 and select the desired temperature which appears on display 7.
- Select the fan speed by pressing button 3. Speeds which can be selected are: low, high and automatic.
- If you select the Auto mode, the air conditioner automatically selects the most suitable speed for the room temperature.
- When high fan speed is selected (high heating power) the unit will operate at this speed until it approaches the selected temperature. After this, the fan speed is automatically reduced until the selected temperature is reached.
- If you select low fan speed (low heating power) the unit will operate at this speed, independently of the temperature
- When the selected temperature is reached, the heating element will be switched off while the fan continues to function.
- LED 10, 11 or 12 for the selected fan speed illuminates on the control panel.

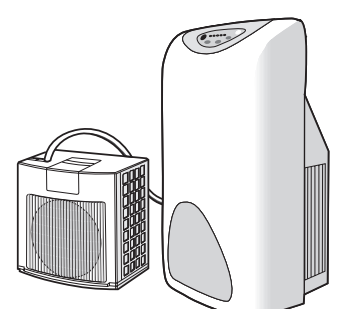
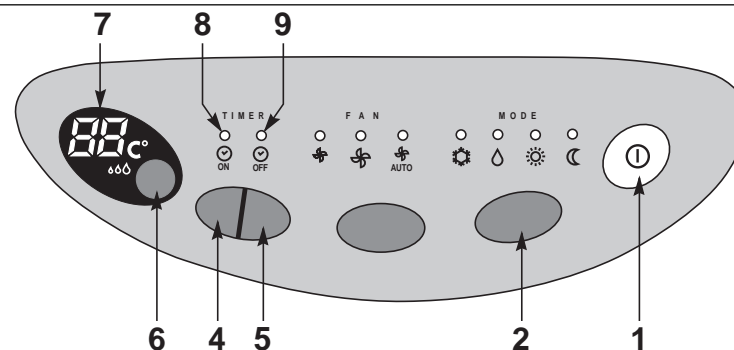
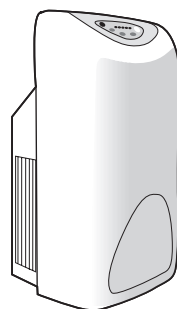


Mod. 51AKS 008



Mod. 51AKS 009, 012, 015C

- Press button 1 (I).
- By pressing the operating selector, button 2, select the fan only mode. Fan LED 15 illuminates on the control panel.
- Select the fan speed by pressing button 3. Speeds which can be selected are: low and high.
- LED 10 or 11 for the selected fan speed illuminates on the control panel.



### Timer programming when switching on



With the 4 button the air conditioner can be programmed to switch on automatically at the preset time.

- Each time the button is pressed the switch-on time is changed as follows: 0.5 - 1 - 1.5 - 2 - 3 - 4 - 5 .....- 23 - 24 hours after the present time.
- The preselected time will be displayed for five seconds on the display instead of the temperature.
- When the timer is programmed, switching on LED 8 is on.
- The air conditioner does not need to be switched on to program the timer.

Example: The present time is 09.00 a.m. and you want the air conditioner to switch on after 1-1/2 hours.

- Press the 4button until the figure 1.5 appears on the display.

- The air conditioner has now been programmed to switch on at 10.30 a.m.
- LED 8, the LEDS of the selected function mode and the display remain on.
- If the air conditioner is running when the timer is programmed, the unit will automatically switch off, and switch on again at the programmed switch-on time.
- At any time you can check the time remaining before the air conditioner switches on, by pressing the 4 button once.
- The timer program can be changed at any time.
- To deactivate the timer hold button 4 down for at least five seconds.

### Timer programming when switching off



With the 5 button the air conditioner can be programmed to switch off automatically at the preset time.

- Each time the button is pressed the switch-off time is changed as follows: 0.5 - 1 - 1.5 - 2 - 3 - 4 - 5 ... - 23 - 24 hours after the present time.
- The preselected time will be displayed for five seconds on the display instead of the temperature.
- when the timer is programmed, switching off LED 9 is on.

Example: The present time is 09.00 a.m. and you want the air conditioner to switch off after 1-1/2 hours.

- Press the 5 button until the figure 1.5 appears on the display.
- The air conditioner has now been programmed to switch off at 10.30 a.m.

- LED 9, the LEDS of the selected function mode and the display remain on.
- If the air conditioner is not running when the timer is programmed, the unit will automatically switch on, and switch off again at the programmed switch-off time.
- At any time you can check the time remaining before the air conditioner switches off, by pressing the 5 button once.
- The timer program can be changed at any time.
- To deactivate the timer hold button 5 down for at least five seconds.

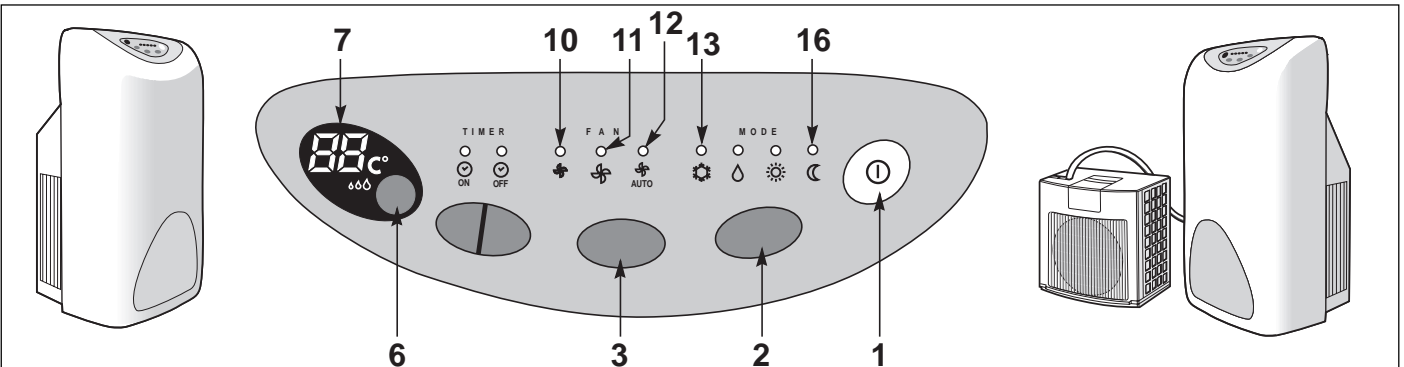
### Combined timer programming: switching on/switching off (or vice versa)





- It is possible to program both functions.
- The air conditioner will automatically switch on after the time set with the 4 button, and switch off after the time set with the 5 button.
- To program the switch-on and switch-off time (or vice versa) follow the steps described above for the two individual operations.
- The TIMER-ON and TIMER-OFF LEDs light up in sequence when each function is performed.

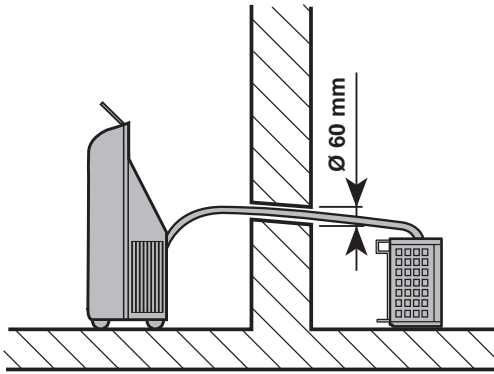
Example: The present time is 09.00 a.m. and you want the air conditioner to switch off after 1-1/2 hours and switch on again after 3 hours.

- Press the 5 button until the figure 1.5 appears on the display.
- Press the 4button until the figure 3.0 appears on the display.
- The air conditioner has now been programmed to switch off at 10.30 a.m. and switch on again at 12.00.
- The LEDS for programmed switching off 9, programmed switching on 8, selected function mode and the display will remain on.



- Press the ON button 1 .
- Press the function selector, button 2, and select night operation. The night operating LED 16  and the cooling LED 13 illuminates on the panel. The luminosity of the LEDS on the control panel is attenuated.
- By pressing the temperature selector, button 6, select the

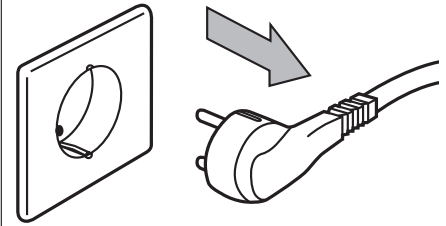
- desired temperature which will appear on the display 7.
- Using the fan speed selector, button 3, select the fan speed which may be low, high or automatic. If you select the Auto mode, the air conditioner automatically selects the most suitable speed to adjust the room temperature. LED 10, 11 or 12 of the fan speed selected illuminates on the control panel.




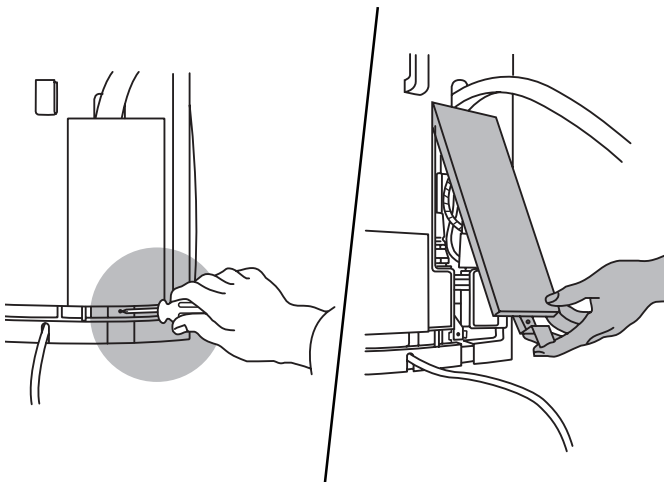
**...use of quick-connect couplings for fixed installation.**

The 51AKS015C model is provided with quick coupling connections that allows the unit to be disconnected up to a maximum of six times without impairing the performance of the air conditioner.

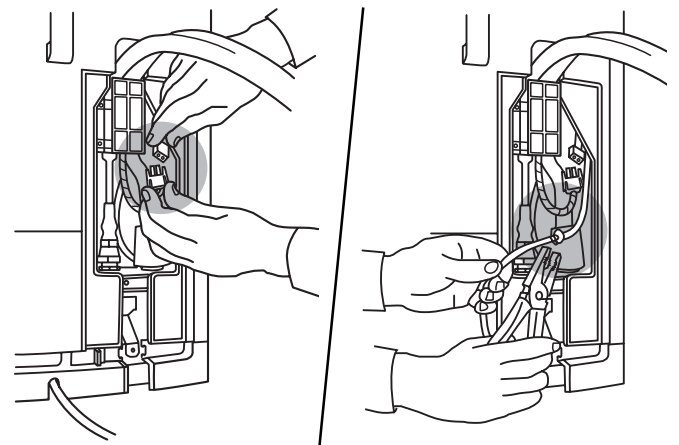
**This operation must always be carried out by qualified and authorized personnel.**  
To disconnect, proceed as follows:



Switch the unit off by pressing button 1  and remove the plug from the power supply socket.

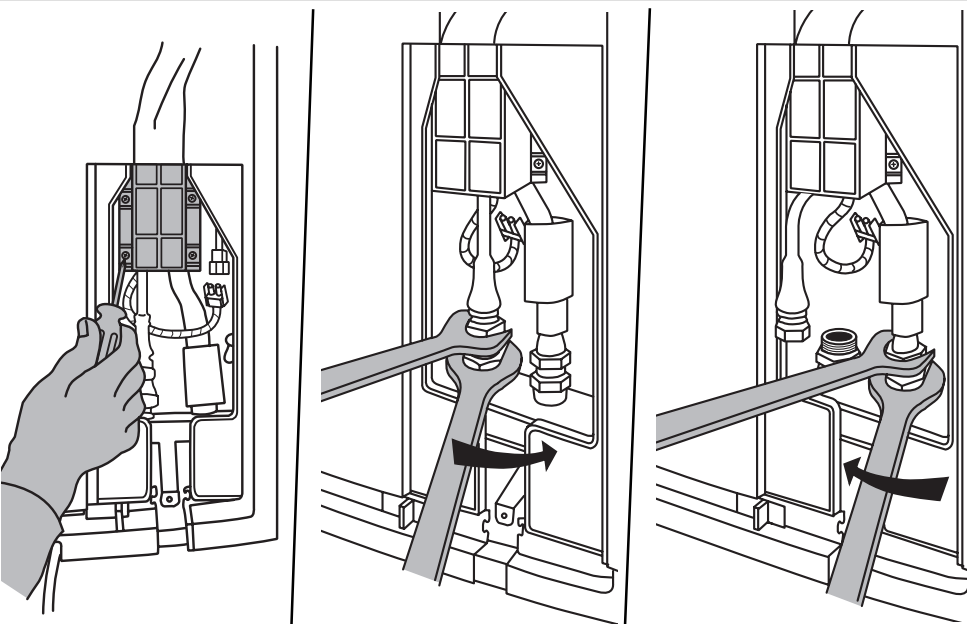


Using the special tool, unscrew the fixing screw and remove the closing cap.



Disconnect the electrical connector.

Loosen the fixing clamp of the small tube that takes condensing water to the outdoor unit, taking care to discharge the remaining condensate water into a pan or the indoor unit collection tank.



With a screwdriver, unscrew partially the 4 screws of the fixing bracket flexible pipe.

Using two fixed wrenches (24 mm on turning nut and 19 or 21 mm on fixed parts) operate on the turning nut, unscrew and remove the quick coupling connections.

Remove the 4 screws of the fixing bracket flexible pipe.

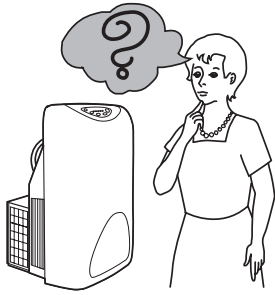
Protect the connection end parts with caps.

Position the outdoor unit outside in the desired position passing the flexible pipe through the hole (Ø 60 mm) in the wall.

The two parts of the air conditioner should remain split for the shortest possible time.

For unit re-assembly repeat the previous operations in reverse order. For re-connection of the quick coupling, apply a tightening torque of 23 to 27 Nm.

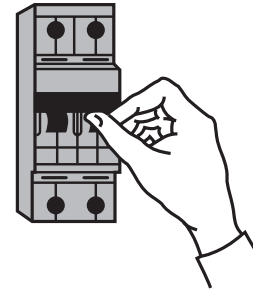
## In case of...



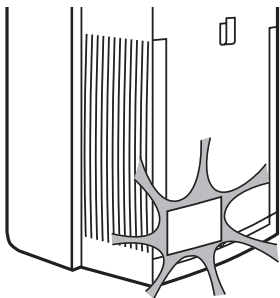
If the unit appears not to be operating correctly, before calling a service technician please check that...



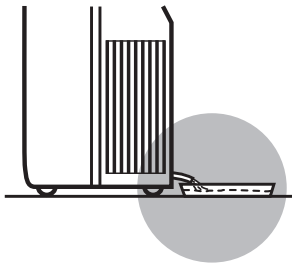
... the operating instructions in the literature have been followed...



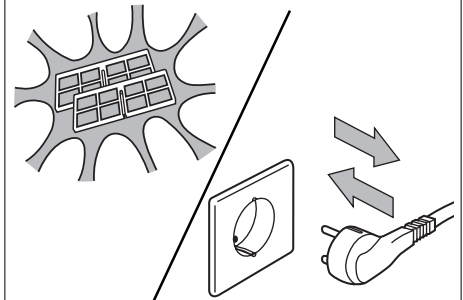
...the main switch is on, there are no breaks in the electrical cable and that the plug is correctly inserted in the socket...



... the water collection tank is not full and that it is correctly inserted in its position.



If the unit has been moved, eliminate the residual condensation water through the small drain pipe situated at the rear of the indoor unit, then re-fit the plug and reposition the small pipe.



Check that the filters are not dirty. If the air conditioner does not respond to the controls remove the plug from the electricity socket and then replace it again.

## Autodiagnosics

In the event of a malfunction, a warning will be given automatically on the display.



### Signal:

- **FL** flashing light and LEDs on the control panel switched off.

### Cause:

- Water tank full or not correctly inserted.

### Remedy:

- Empty the water tank or check that it is correctly inserted.



### Signal:

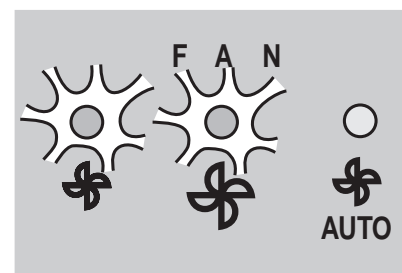
- Flashing light display.

### Cause:

- Room air thermostat not working (the unit will operate for 1 hour).

### Remedy:

- Call a service technician.



### Signal:

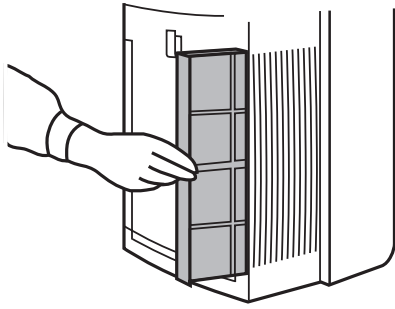
- Fan speed LED flashing.

### Cause:

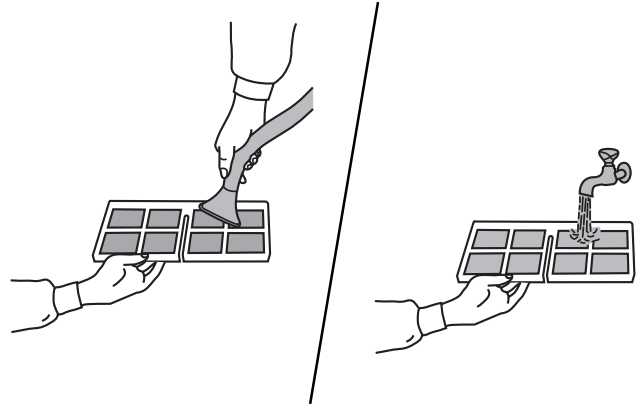
- Electronic control card faulty or fan not connected.

### Remedy:

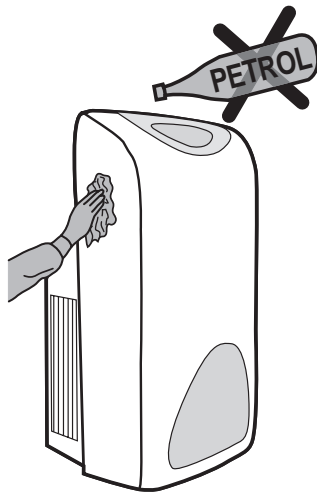
- Call a service technician.



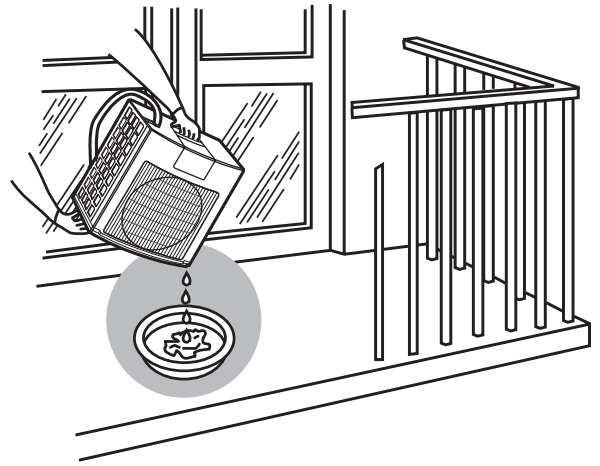
Periodically clean the air filters in the sides of the unit. To pull out the filters from their position use the tab on the outside edge.



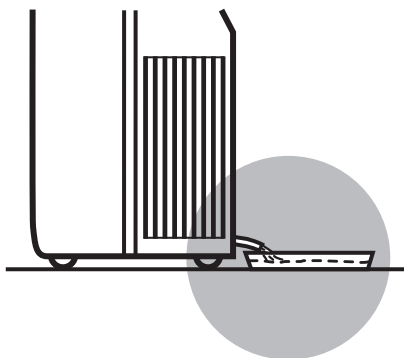
First clean the filters with a vacuum cleaner then rinse and dry the filters. Reinsert the filters correctly in their position.



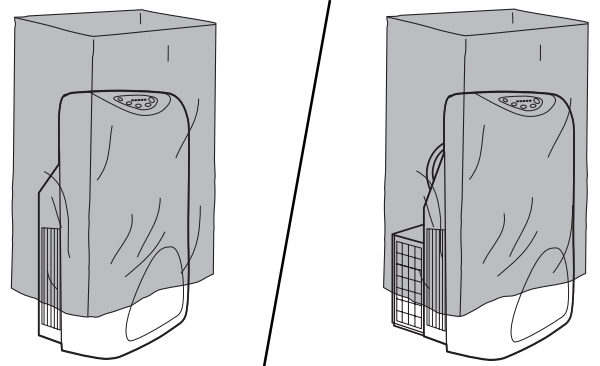
To clean the appliance use only a damp cloth and soap. **NEVER** use spray or flammable liquids.



When bringing the outdoor unit indoors tilt it to drain any remaining condensate.



Empty the remaining condensate water through the drain tube at the back of the indoor unit, then plug the tube and stow it.



If the unit is not used for extended periods:

- Clean the filters.
- Rewind the electric cable on the hook provided at the rear.
- Hang the outdoor unit on the back of the indoor unit (split model).
- Insert the two ends of the flexible pipe into their respective seats (Stand-alone model).
- Cover the air conditioner with a bag.



Via R. Sanzio, 9 - 20058 Villasanta (MI) Italy - Tel. 039/3636.1

---

The manufacturer reserves the right to change any product specifications without notice.