

# Installation Instructions

## Evaporator Freeze Thermostat

KAAFT0101AAA

**NOTE:** Read the entire instruction manual before starting the installation.  
This symbol → indicates a change since the last issue.


### INTRODUCTION

This instruction covers the installation of evaporator freeze thermostat Part No. KAAFT0101AAA on split-system air conditioners and heat pumps. The device is designed to shutdown the outdoor section in the event of indoor coil freeze up, preventing damage to the compressor.

### SAFETY CONSIDERATIONS

Installation and servicing of air conditioning equipment can be hazardous due to system pressures and electrical components. Only trained personnel should install or service air conditioning equipment.

Untrained personnel can perform basic maintenance functions such as cleaning coils, or cleaning and replacing filters. All other operations should be performed by trained service personnel. When working on air conditioning equipment, observe precautions in the literature, tags, and labels attached to the unit.

Follow all safety codes. Wear safety glasses and work gloves. Use quenching cloth for brazing operations. Have fire extinguisher available. Recognize safety information. This is the safety-alert symbol . When you see this symbol on the unit and in instructions or manuals, be alert to the potential for personal injury.


Understand the signal words DANGER, WARNING, and CAUTION. These words are used with the safety-alert symbol. DANGER identifies the most serious hazards which **will** result in severe personal injury or death. WARNING signifies hazards which **could** result in personal injury or death. CAUTION is used to identify unsafe practices which **would** result in minor personal injury or product and property damage.

### DESCRIPTION AND USAGE

The evaporator freeze thermostat is recommended to prevent coil freezing. The kit contains the following items:

Temperature switch HH22JB026	1
Installation Instructions	1

---

 **WARNING:** Before beginning any installation or modification, be sure the main electrical disconnect switch is in the OFF position. Electrical shock can cause personal injury or death.

---

### INSTALLATION


→ The following items must be provided by the field:

Standard 4 X 4-in. electrical box and cover	1
No. 8-32 X 1/2-in. sheet metal screws	2
No. 10-24 X 1/2-in. sheet metal screws	2
Wire ties	2
16-gauge wires (length to be determined by installer)	2
Insulation (Arm-flex) for bulb coverage	

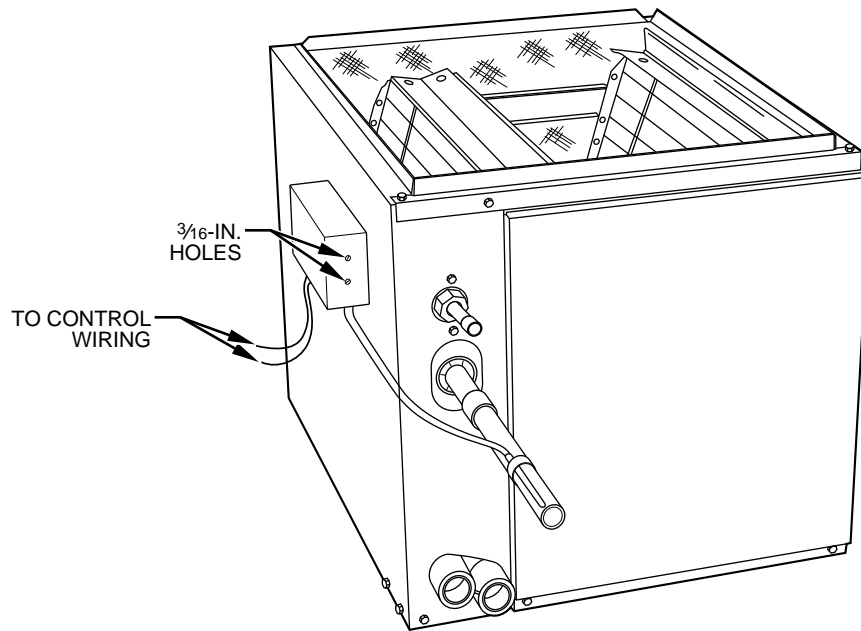
### PROCEDURE 1—MOUNT THERMOSTAT

1. Remove knockout in bottom of electrical box.
2. Drill two 3/16-dia clearance holes in right-hand side of electrical box 1 in. apart. Position holes in side of box to ensure clearances for mounting of thermostat. (See Fig. 1.)
3. From within box, pass evaporator freeze thermostat bulb through knockout hole. Do not mount thermostat to box at this time.
4. Attach evaporator freeze thermostat bulb to vapor line, using 2 wire ties, as close to evaporator coil as possible. (See Fig. 1.)
5. Position electrical box on side of plenum or coil casing. Be sure location is NOT near coil surface. Drill two 9/64 or No. 27 holes through holes provided in electrical box into plenum or casing.

---

 **CAUTION:** Exercise extreme caution when drilling holes. Do not puncture coil and/or tubing.

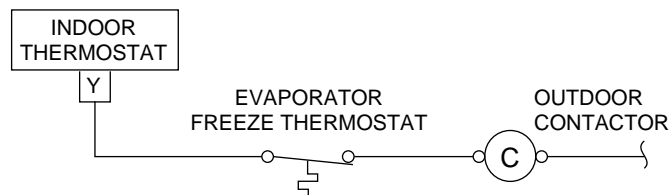
---



→ Fig. 1—Mounting Thermostat on Coil Casing

A97510

6. Mount electrical box to plenum or casing using 2 No. 10-24 X 1/2-in. sheet metal screws. (See Fig. 1.)
7. Mount evaporator freeze thermostat to side of electrical box using 2 No. 8-32 X 1/2-in. sheet metal screws.
8. Route wires for bulb through knockout hole in electrical box, and connect to evaporator freeze thermostat.
9. Wire evaporator freeze thermostat in series with Y low-voltage wire from indoor thermostat at indoor unit. (See Fig. 2.)
10. Secure cover to electrical box.
11. Insulate evaporator freeze thermostat bulb.



→ Fig. 2—Evaporator Freeze Thermostat Wiring

A97511