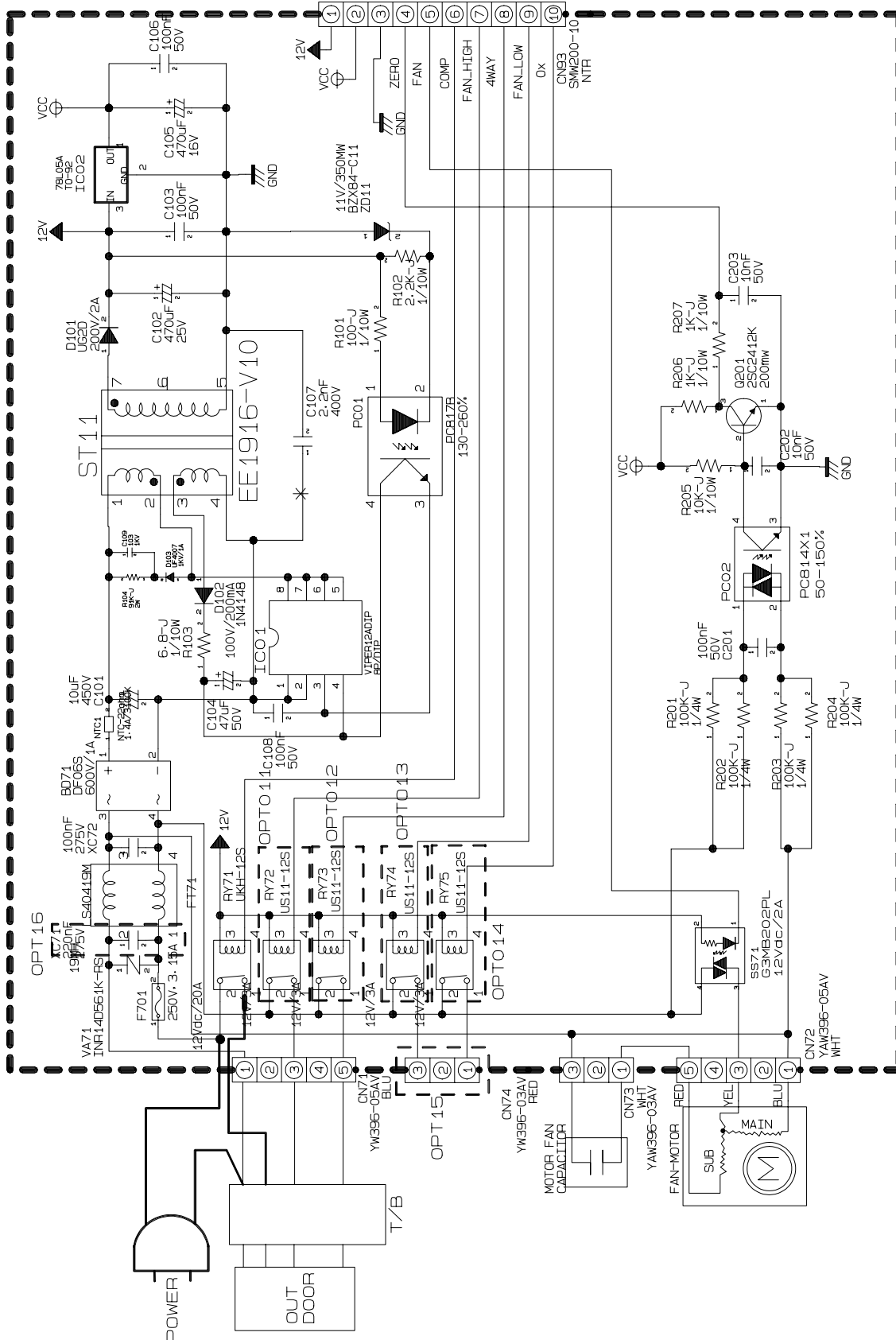


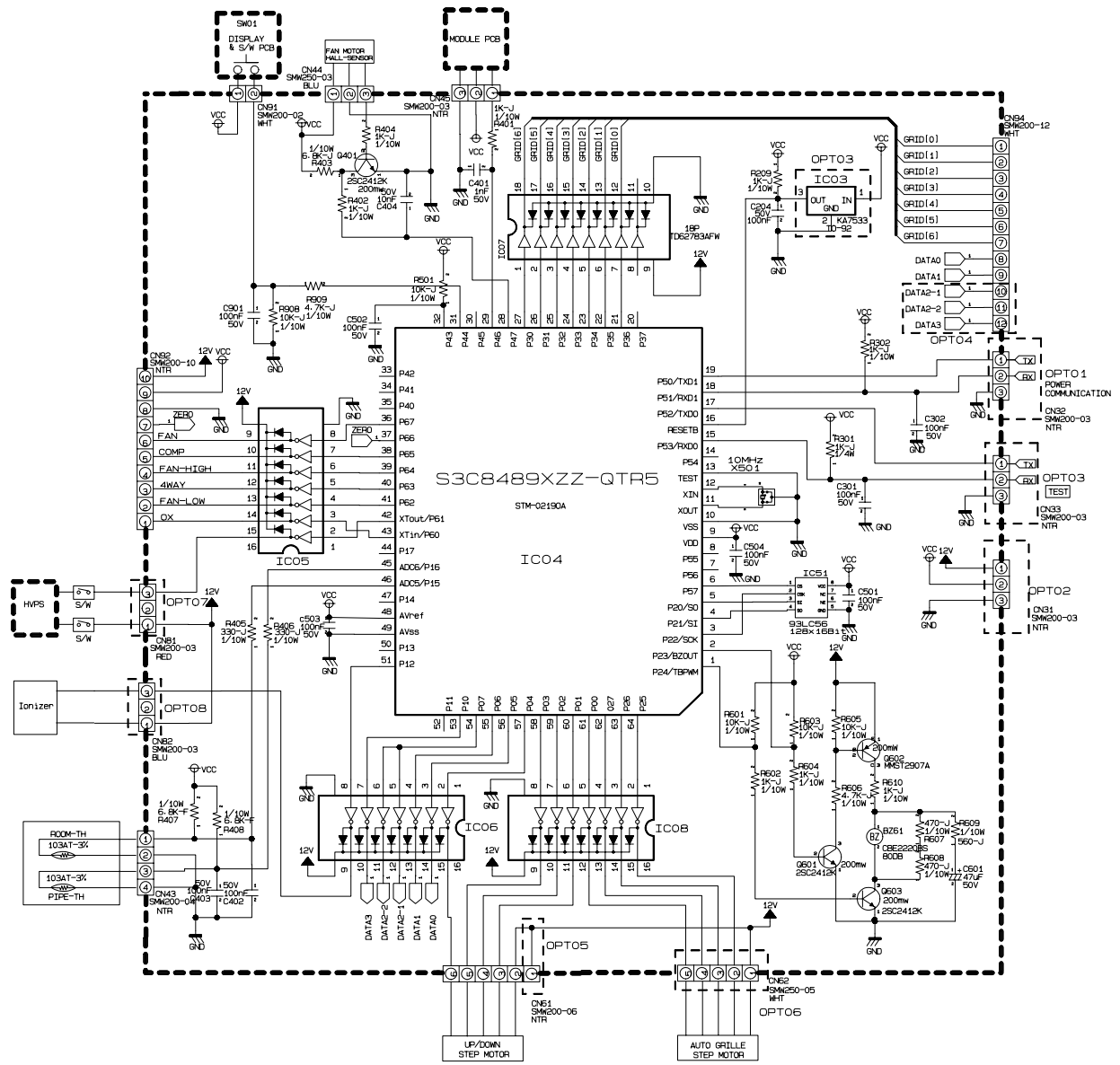
# 8. Schematic Diagrams

## 8-1 Indoor Unit

### 8-1-1 24K/18K BTU (AC-PART)



8-1-2 24K / 18K BTU (DC-PART)



UPDATE LOG SHEET				
Application date	Page	Part#	Note(Cause & Solution)	S/Bulletin#

Use this page to keep any special servicing information. (Service Bulletin, etc.)  
 If only parts number changes, Just change parts number directly on parts list.  
 And if you need more information, please see the service website.

Itself Solution Integrated technology supporting electronic library  
<http://itself.sec.samsung.co.kr>

Copyright © 2002  
 By Samsung Electronics Co., Ltd.  
 All rights reserved.  
 This manual may not, in whole or in part, be copied, photocopied, reproduced, translated, or converted to any electronic or machine readable form without prior written permission of Samsung Electronics Co., Ltd.

