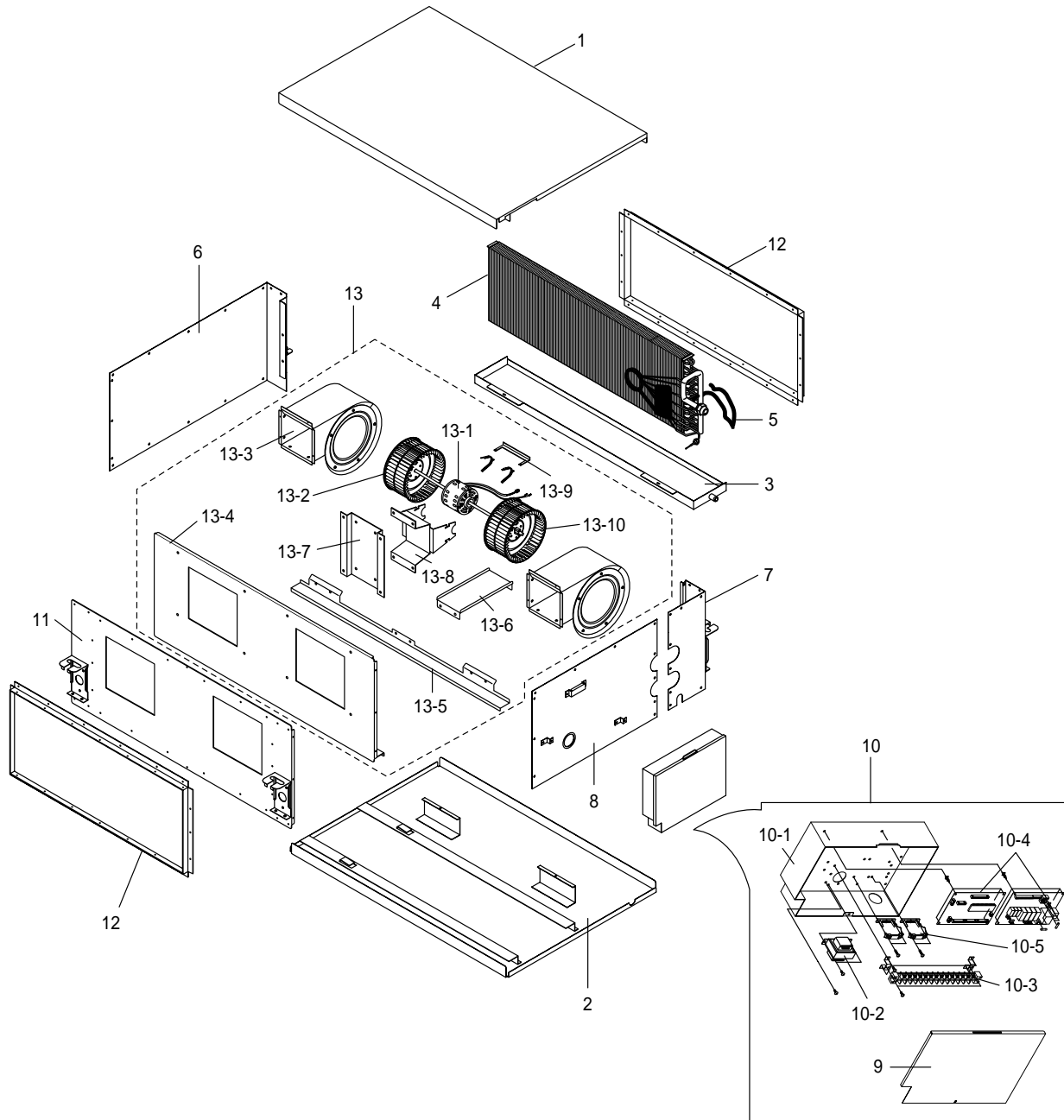


6. Exploded Views and Part List

6-1 Indoor Unit



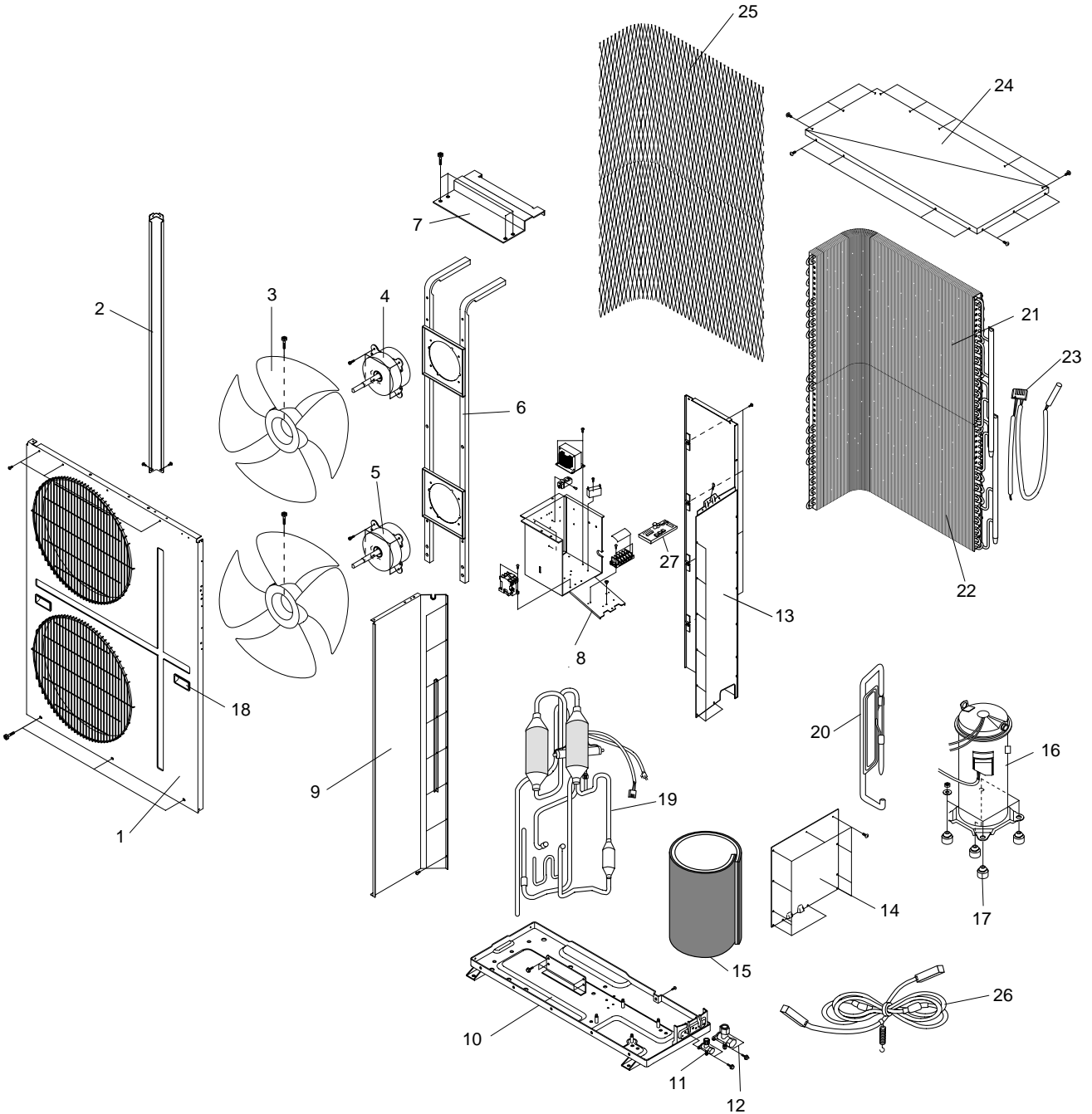
■ Indoor Unit Parts list

NO	CODE NO	Description	Specification	Q'TY	Remark
1	DB90-00314A	ASSY CABI-TOP	ADC-35ZH3, DUCT TYPE	1	
2	DB90-00316A	ASSY CABI-BASE	ADC-35ZH3, DUCT TYPE	1	
3	DB94-00093A	ASSY DRAIN PAN	ADC-35ZH3, DUCT TYPE	1	
4	DB96-00619A	ASSY EVAP	ADH4400G	1	
5	DB32-00016B	THERMISTOR-ASSY	ADC-35ZH3	1	
6	DB90-00319A	ASSY CABI-SIDE LF	ADC-35ZH3, DUCT TYPE	1	
7	DB90-00318A	ASSY CABI-SIDE RH B	ADC-35ZH3, DUCT TYPE	1	
8	DB90-00320A	ASSY CABI-SIDE RH A	ADC-35ZH3, DUCT TYPE	1	
9	DB63-00080A	COVER-CONTROL	SGCC-M, T0.8, -, -, ADH2400E	1	
10	DB93-00249S	ASSY CONTROL IN	220V, 60Hz, ADE-35ZH3, -	1	
10-1	DB61-00098A	CASE-CONTROL	SGCC-M, -, T0.8, -, AH-240E, -	1	
10-2	DB26-00002A	TRANS-POWER	250V, 50HZ, D68	1	
10-3	DB65-00029L	TERMINAL BLOCK-15P	-, -, 250V 20A, -	1	
10-4	PD-DH3200-08	ASSY PCB PARTS	ADH4400G	1	
10-5	DB61-40291B	HOLDER-WIRE	PP, T2.0, BLK, ADH2400E	2	
11	DB90-00317A	ASSY CABI-FRONT	ADC-35ZH3, DUCT TYPE	1	
12	DB90-00315A	ASSY-BRACKET OUTLET	ADC-35ZH3, -	2	
13	DB94-00092C	ASSY BLOWER	ADC-35ZH3, DUCT TYPE	1	
13-1	DB31-00079C	MOTOR FAN	OSM1504SAC (S320)	1	
13-2	DB67-00117A	BLOWER-LF	SGCC-M, ADC-35ZH3, DUCT	1	
13-3	DB90-00313A	ASSY-HOUSING	ADC-35ZH3, DUCT TYPE	2	
13-4	DB64-00303A	PANEL-DUCT	SDC-35ZH3, SGCC-M, T1.2	1	
13-5	DB61-00539A	BRACKET-BLOWER	ADC-35ZH3, SGCC-M, T1.2	1	
13-6	DB61-00542A	SUPPORTER-MOTOR	SGCC-M, T1.6, ADC-35ZH3	1	
13-7	DB61-00541A	HOLDER-MOTOR	ADC-35ZH3, SGCC-M, XT2.0	1	
13-8	DB61-20071A	BASE-MOTOR	ACRYL, -, -, -, -	1	
13-9	DB61-00540A	BRACKET-MOTOR GUIDE	ADC-35ZH3, SGCC-M, T1.6	1	
13-10	DB67-00117B	BLOWER-RH	SGCC-M, ADC-35ZH3, DUCT	1	

■ Optional Accessory List

NO	CODE NO	Description	Specification	Remark
1	DB97-00217B	WIRED REMOTE CONTROLLER	KR-H50110	
2	DB97-00218A	WIRELESS REMOTE CONTROLLER	KR-H40100	
3	DB97-00222A	RECEIVER & DISPLAY UNIT	KRE-H2000	
4	DB97-00221C	WIRE KIT (WIRELESS)	KWE-A110	
5	DB97-00219A	CENTRALIZED CONTROLLER	KR-1160110	
6	DB97-00220C	TRANSMITTER	KT-A00	
7	DB97-00658B	FILTER KIT	KF-H0B0	
8	DB97-00557B	DRAIN PUMP KIT	KDP-H07550	

6-2 Outdoor Unit



■ Outdoor Unit Parts list

NO	CODE NO	Description	Specification	Q'TY	Remark
1	DB90-1056JA	CABI OUT FRONT	KFH45PY1, SILIT	1	
2	DB63-30028C	GUARD-INLET	-, -, SC-91438T, -	1	
3	DB67-50067A	FAN-PROPELLER	ABS+GF20, D495, 4BLADE	2	
4	DB31-00060A	MOTOR FAN	OSME-1146SRC(S541)	1	
5	DB31-00060C	MOTOR FAN	OSME-1146SRC(S540)	1	
6	DB90-30028E	ASSY-MOUNT MOTOR OUT	APE-1600CR, -	1	
7	DB61-40088A	HOLDER-FRAME	SGCC1, T1.6, -, -	1	
8	DB93-00317E	ASSY CONTROL OUT	ADH4400G	1	
9	DB67-30025A	PARTITION	SBHG1, T1, -, 389.17x1239.46	1	
10	DB90-20085K	ASSY-BASE OUT	AP-3508, M8 WELD BOLT	1	
11	DB62-40011F	ASSY-VALVE 3/8"	AP-3508, 3/8"	1	
12	DB62-40092A	ASSY-VALVE 3/4"	AP-3508, 3/4"	1	
13	DB90-10582A	ASSY-CABI OUT SD	AP-1100, ASSY SPOT	1	
14	DB90-10085B	ASSY-CABI OUT UP SD	AP-1004/1604CR, -	1	
15	DB72-00236A	INSULATION-SOUND	T12, W710, L410, FELT	1	
16	DB95-10057J	ASSY-COMP-SCROLL	ZR61KC-TFD	1	
17	DB73-10023A	GROMMET-MOUNT	EPDM, BLK	4	
18	DB67-90017B	HANDLE	ABS, -, SC-90073R	3	
19	DB96-00304A	ASS'Y 4WAY V/V	CH44ZAX	1	
20	DB96-00925A	ASS'Y CHECK V/V	DH44ZAX	1	
21	DB96-30353A	ASS'Y COND UP PART	ASS'Y	1	
22	DB96-00559A	ASS'Y COND LOW PART	ASS'Y	1	
23	DB32-00021C	THERMISTOR COND	ASS'Y, DH44ZAX	1	
24	DB90-00194A	ASSY-PLATE-TOP	CH44ZAX, -	1	
25	DB63-30110C	SCREEN-GUARD	P.E.H 100%, T2.5, -, -	1	
26	DB95-30013F	ASS'Y HEATER COMP	80W	1	
27	PD-DH3200-S4	ASS'Y PCB PART	DH44ZAX	1	

MEMO