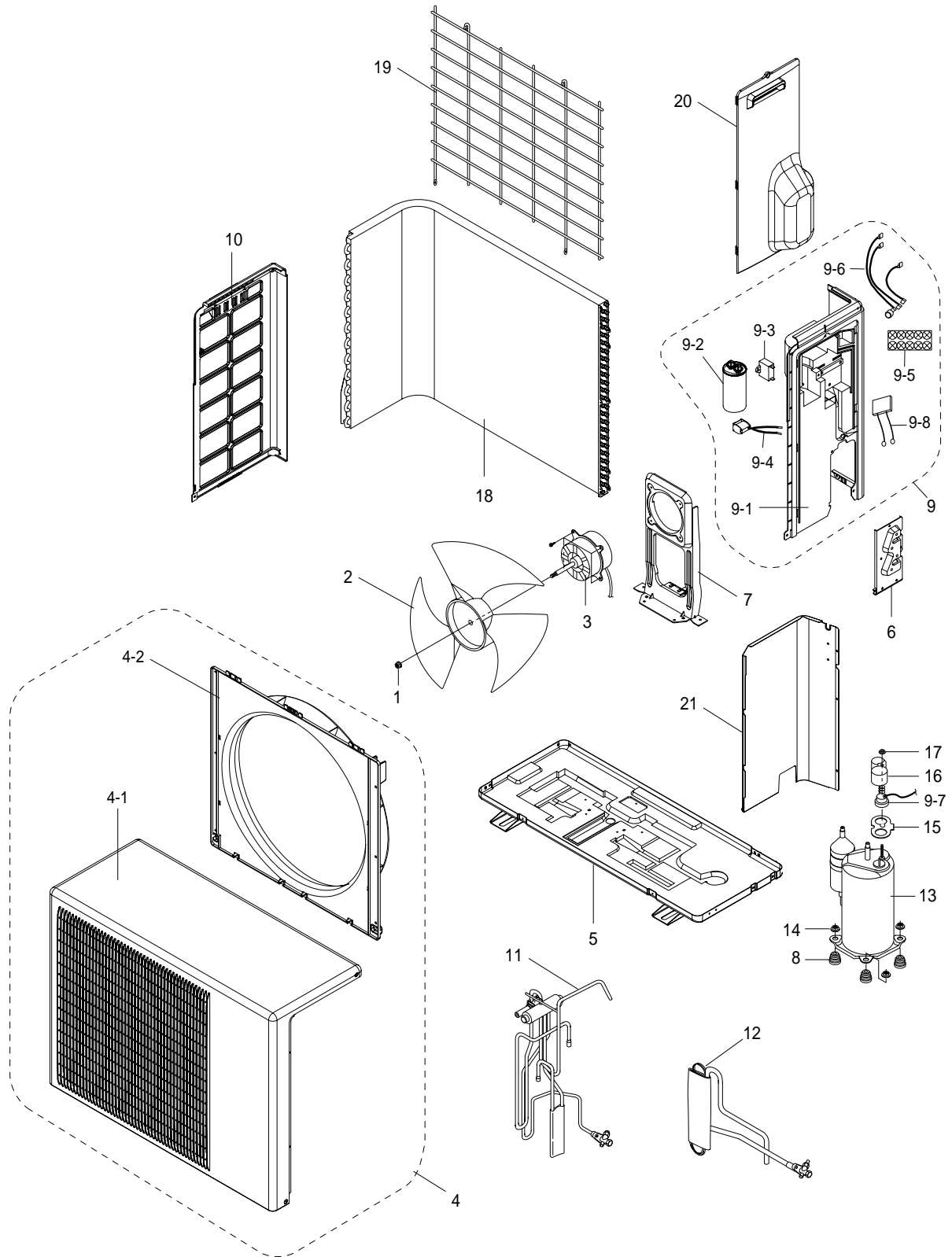


■ Indoor Unit Parts List

No.	Code No.	Description	Specification	Q'TY			Remark
				SH12ZSG AQ12SGGE	SH09ZS8 AQ09S8GE	SH07ZS8 AQ07S8GE	
1	DB92-00345A	ASSY PANEL FRONT TOTAL	ASSY	1	-	-	
	DB92-00357A	ASSY PANEL FRONT TOTAL	ASSY	-	1	1	
1-1	DB92-00346A	ASSY PANEL FRONT SUB	ASSY	1	-	-	
	DB92-00356A	ASSY PANEL FRONT SUB	ASSY	-	1	1	
1-2	DB64-00646A	WINDOW DISPLAY	PC	1	1	1	
1-3	DB63-00585A	FILTER-AIR LF	PP	1	-	-	
	DB63-00590A	FILTER-AIR LF	PP	-	1	1	
1-4	DB63-00586A	FILTER-AIR RH	PP	1	-	-	
	DB63-00591A	FILTER-AIR RH	PP	-	1	1	
1-5	DB92-00456A	ASSY GRILLE UP	ASSY	1	-	-	
	DB92-00457A	ASSY GRILLE UP	ASSY	-	1	1	
2	DB92-00347A	ASSY GRILLE LOW SUB	ASSY	1	-	-	
	DB92-00355A	ASSY GRILLE LOW SUB	ASSY	-	1	1	
3	DB96-02092A	ASSY EVAPORATOR	ASSY	1	-	-	
	DB96-02145A	ASSY EVAPORATOR	ASSY	-	1	1	
4	DB95-00367C	ASSY FILTER BIO	ASSY	1	1	1	Option
5	DB63-00581A	COVER TERMINAL	HIPS	1	-	-	
	DB63-00588A	COVER TERMINAL	HIPS	-	1	1	
6	DB63-00667A	COVER DRAIN	PP	1	-	-	
	DB63-00716A	COVER DRAIN	PP	-	1	1	
7	DB94-00040R	ASSY CROSS FAN	ASSY	1	-	-	
	DB94-00040F	ASSY CROSS FAN	ASSY	-	1	1	
8	DB60-20011A	BOLT SPECIAL	-	1	1	1	
9	DB31-00152B	MOTOR-FAN IN	-	1	-	-	
	DB31-00152A	MOTOR-FAN IN	-	-	1	1	
10	DB93-01453A	ASSY CONTROL IN	ASSY	1	-	-	
	DB93-01523A	ASSY CONTROL IN	ASSY	-	1	1	
11	DB94-00261A	ASSY BACK BODY SUB	ASSY	1	-	-	
	DB94-00269A	ASSY BACK BODY SUB	ASSY	-	1	1	
12	DB61-01099A	HOLDER-MOTOR	PP	1	-	-	
	DB61-01120A	HOLDER-MOTOR	PP	-	1	1	
13	DB93-01364B	ASSY REMOCON	ASSY	1	1	1	
14	DB63-00580A	COVER-IONIZER	HIPS	1	1	1	
15	DB90-00992A	ASSY HOLDER-PIPE	ASSY	1	-	-	
	DB61-01121A	HOLDER-PIPE	HIPS	-	1	1	
16	DB70-00276A	HANGER PLATE	SGCC-M	1	-	-	
	DB70-00288A	HANGER PLATE	SGCC-M	-	1	1	
17	DB94-00259A	ASSY TRAY DRAIN	ASSY	1	-	-	
	DB94-00265A	ASSY TRAY DRAIN	ASSY	-	1	1	
17-1	DB94-00062E	ASSY HOSE DRAIN	ASSY	1	1	1	
17-2	DB61-01103A	BLADE-H	HIPS	1	-	-	
	DB61-01125A	BLADE-H	HIPS	-	1	1	
17-3	DB61-01104A	BLADE-V	PP	1	-	-	
	DB61-01126A	BLADE-V	PP	-	1	1	
17-4	DB63-00634A	GUARD-SAFETY WIRE	-	1	-	-	
	DB63-00635A	GUARD-SAFETY WIRE	-	-	1	1	
17-5	DB95-20138A	ASSY STEPPING MOTOR	ASSY	1	1	1	
17-6	DB63-00587A	TRAY DRAIN	HIPS	1	-	-	
	DB63-00592A	TRAY DRAIN	HIPS	-	1	1	
18	DB67-60030A	SPRING SENSOR	-	1	1	1	
19	DB73-00128A	BEARING MOLD	-	1	1	1	
20	DB94-40007A	BEARING	-	1	1	1	

4-2 Outdoor Unit

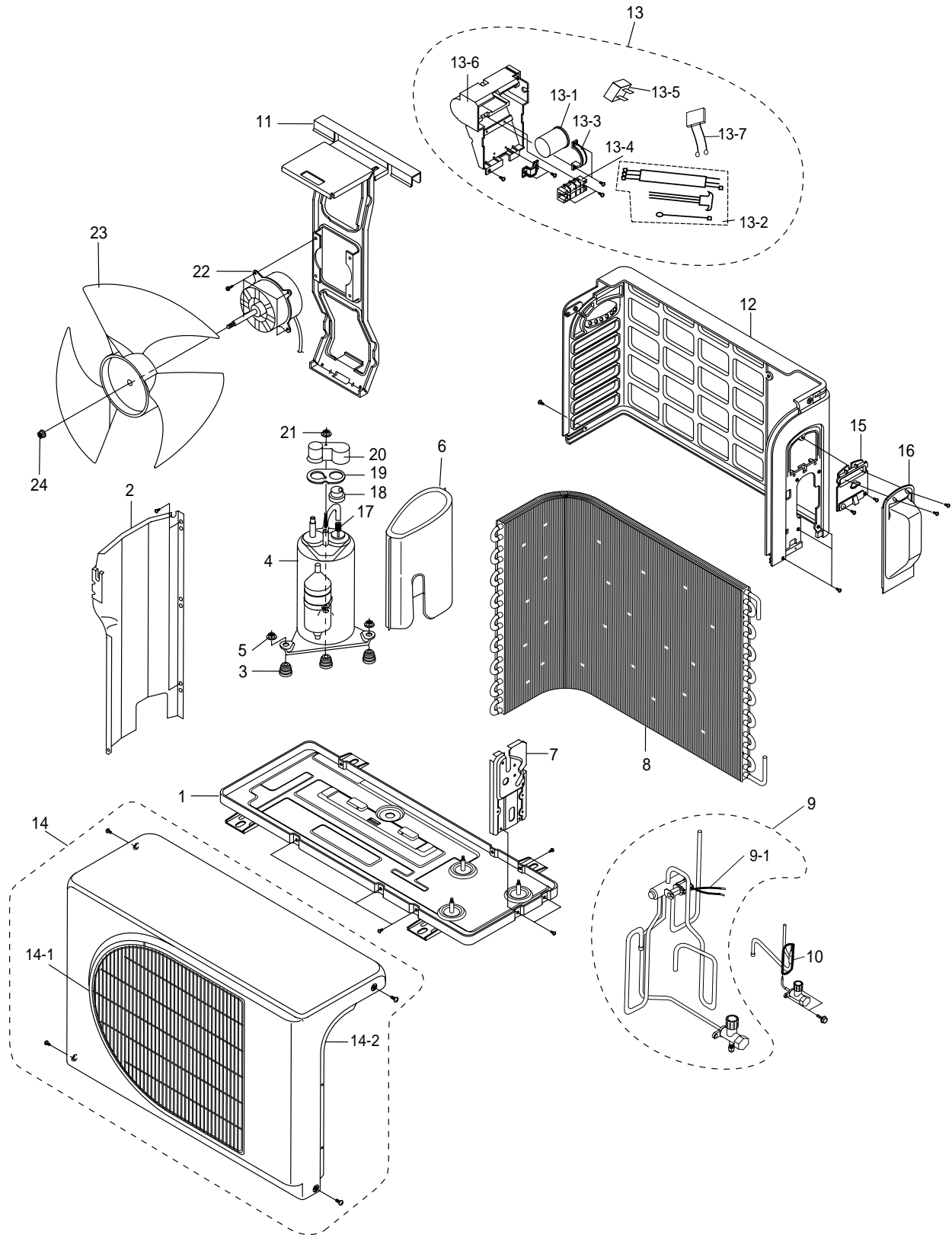
■ SH12ZSGX
UQ12SGGE



■ Outdoor Unit Parts List

No.	Code No.	Description	Specification	Q'TY
				SH12ZSGX UQ12SGGE
1	DB60-30020A	NUT FLANGE	2C, M6, SM20C, NTR	1
2	DB67-50063A	FAN PROPELLER	AS+G/F 20%, ø405	1
3	DB31-10058C	MOTOR FAN OUT	220/240V, 50/60Hz	1
4	DB90-00904A	ASSY CABI FRONT	ASSY	1
4-1	DB64-00648A	CABI FRONT	PP	1
4-2	DB61-01113A	BELL MOUTH	PP	1
5	DB90-01056A	ASSY BASE OUT	ASSY	1
6	DB61-01322A	ASSY BRACKET VALVE	GA	1
7	DB94-00278A	ASSY BRACKET MOTOR	ASSY, SGCC-M	1
8	DB73-10004B	ASSY GROMMET ISOLATOR	NR	3
9	DB90-00914A	ASSY CABISIDE RH	ASSY	1
9-1	DB64-00650A	CABISIDE RH	PP	1
9-2	2501-001236	CAPACITOR-COMP	30µF / 450VAC	1
9-3	2301-001375	CAPACITOR-MOTOR	1.5µF / 450VAC	1
9-4	DB33-00028A	ASSY SOLENOID COIL	ASSY	1
9-5	DB65-40049E	TERMINAL BLOCK	4P	1
9-6	DB93-01547A	ASSY LEAD WIRE	ASSY	1
9-7	DB35-00015H	OLP	RAC12074-9622	1
9-8	DB95-90026G	ASSY-SPARK KILLER	ASSY	1
10	DB90-01001A	ASSY CABINET SIDE LF	ASSY	1
11	DB96-02414A	ASSY 4WAY VALVE	ASSY, SHF-4-23U	1
12	DB96-02413A	ASSY CHECK VALVE	ASSY, ø9.52	1
13	48D129JU1EL	COMPRESSOR	220~240V / 50Hz	1
14	DB60-30028A	NUT WASHER	HEX2CM8ZPC	3
15	DB63-20002A	GASKET	SILICON	1
16	DB63-10165D	COVER TERMINAL	PBT	1
17	DB60-30018A	NUT FLANGE	M5, SM20C	1
18	DB96-02104A	ASSY CONDENSER	ASSY	1
19	DB71-00085A	BAR STEEL	-	1
20	DB90-00947A	ASSY COVER VALVE	ASSY	1
21	DB94-00303A	ASSY PARTITION	ASSY, SGCC-M	1

■ SH09ZS8X / SH07ZS8X
UQ09S8GE / UQ07S8GE

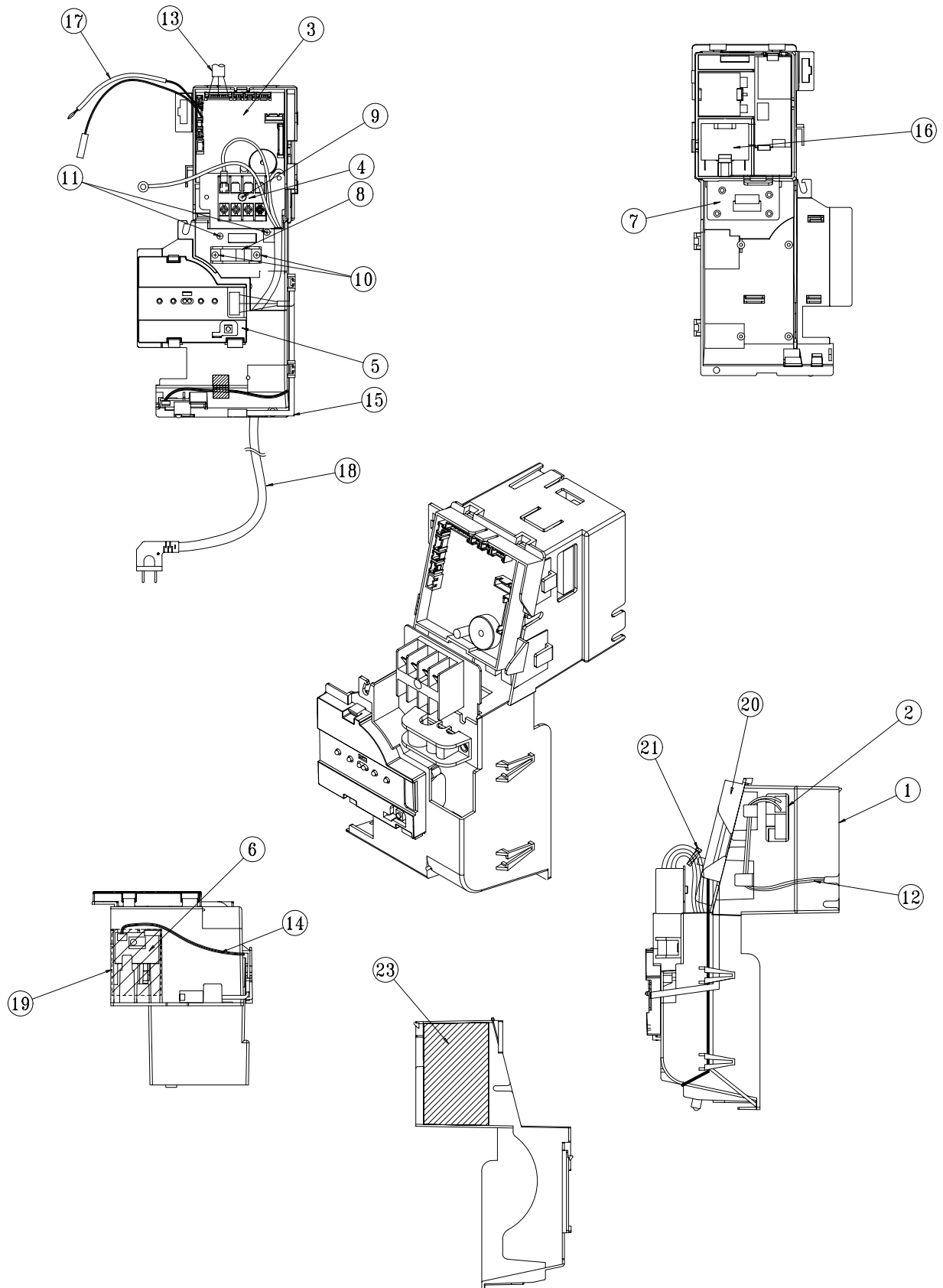


■ Outdoor Unit Parts List

No.	Code No.	Description	Q'TY	
			SH09ZS8X UQ09S8GE	SH07ZS8X UQ07S8GE
1	DB90-00262A	ASSY BASE OUT	1	1
2	DB94-00271A	ASSY PARTITION; 7K,9K	1	1
3	DB73-10004B	GROMMET ISOLATOR(SILICON)	3	3
4	44B102JX1EL	ROTARY COMP	1	-
	44B080JX1EL	ROTARY COMP	-	1
5	DB60-30028A	NUT WASHER	3	3
6	DB72-00453A	CLOTH COMP SOUND	1	1
7	DB61-00793A	BRACKET VALVE	1	1
8	DB96-02142A	ASSY CONDENSER	1	-
	DB96-02472A	ASSY CONDENSER	-	1
9	DB99-00277A	ASSY 4WAY VALVE	1	1
9-1	DB33-00002B	ASSY SOLENOID COIL	1	1
10	DB96-02470A	ASSY TUBE CAPLLARY	1	-
	DB96-02470B	ASSY TUBE CAPLLARY	-	1
11	DB90-00110A	ASSY BRACKET MOTOR	1	1
12	DB90-00109C	ASSY CABI SIDE	1	1
13	DB93-00666C	ASSY CONTROL OUT(9K 2 Stage OLP)	1	-
	DB93-00666D	ASSY CONTROL OUT(7K 2 Stage OLP)	-	1
13-1	2501-001238	C OIL;40 μ F, 450VAC	1	-
	2501-001236	C OIL;30 μ F, 450VAC	-	1
13-2	DB93-00481D	ASSY-LEAD WIRE 2 Stage OLP	1	1
13-3	DB61-01102A	HOLDER CAPACITOR	1	1
13-4	DB65-40049E	TERMINAL BLOCK;4P	1	1
13-5	2301-001375	C FILM;1.5 μ F, 450VAC	1	1
13-6	DB61-01196A	CASE CONTROL OUT	1	1
13-7	DB95-90026G	ASSY-SPARK KILLER	1	1
14	DB90-00108F	ASSY CABI FRONT	1	1
14-1	DB63-00099A	GUARD FAN WIRE	1	1
14-2	DB64-00086A	CABINET FRONT	1	1
15	DB90-00152A	ASSY COVER CONTROL	1	1
16	DB94-00021A	ASSY COVER VALVE	1	1
17	DB67-60020A	SPRING OLP	1	1
18	DB35-00015B	PROTECTOR O/L; RAC12054-9622, 2 Stage OLP	1	-
	DB35-00020A	PROTECTOR O/L; RAC12144-9622, 2 Stage OLP	-	1
19	DB63-20002A	GASKET;EPDM	1	1
20	DB63-10165D	COVER TERMINAL	1	1
21	DB60-30018A	NUT FLANGE	1	1
22	DB31-00034A	MOTOR FAN OUT	1	1
23	DB67-00036A	FAN PROPELLER	1	1
24	DB60-30020A	NUT FLANGE	1	1

4-3 Ass'y Control In (Indoor Unit)

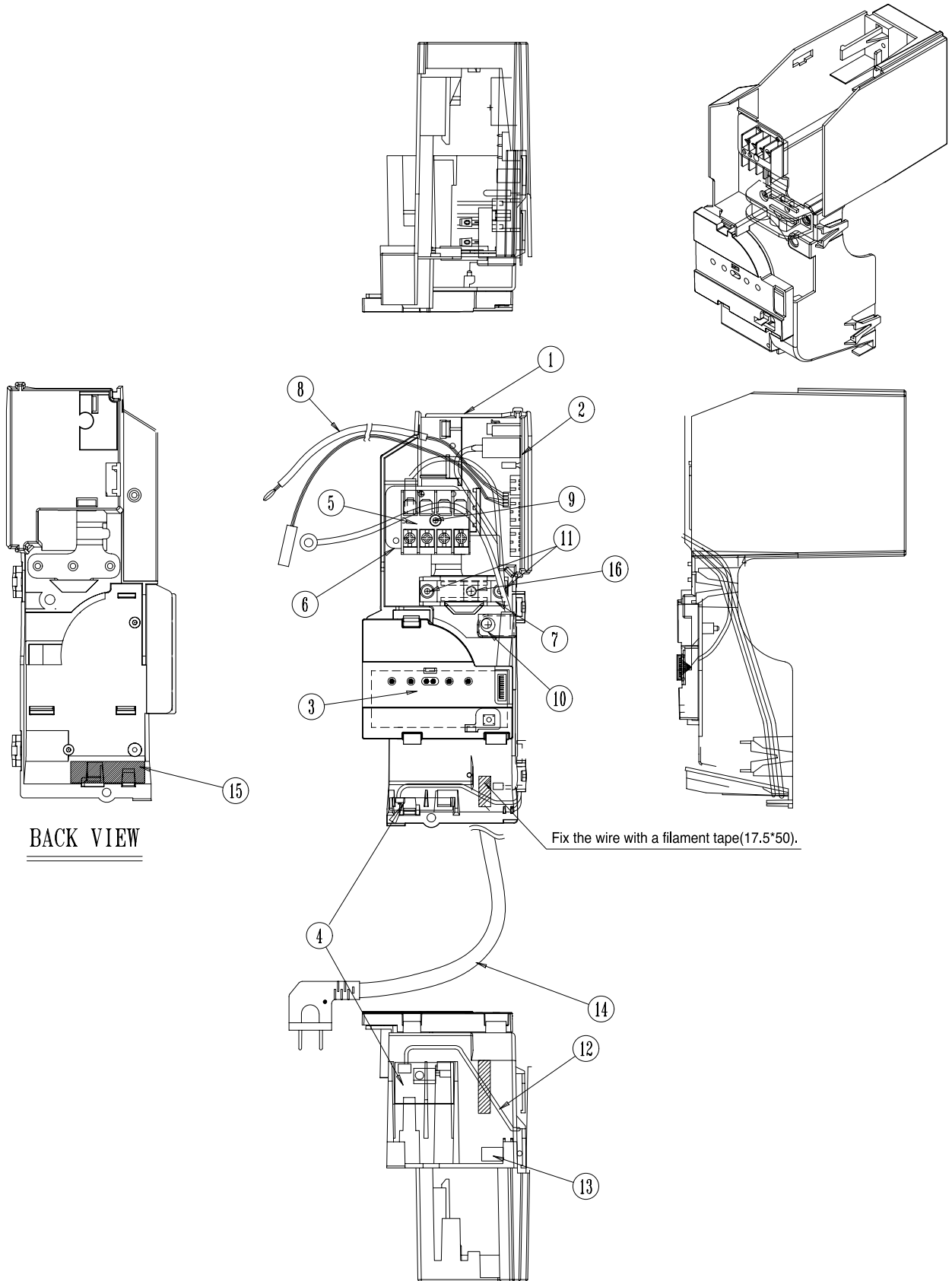
■ SH12ZSG / AQ12SGGE : DB93-01453A



■ Parts List

No.	Code No.	Description	Specification	Q'TY	Remark
1	DB61-01105A	CASE-CONTROL AC	HIPS V0	1	
2	DB93-01324A	ASSY-MAIN PCB (AC)	ASSY	1	
3	DB93-01325A	ASSY-MAIN PCB (DC)	ASSY	1	
4	DB65-00103A	ASSY-TERMINAL BLOCK	ASSY	1	
5	DB93-01367A	ASSY-S/W & DISPLAY PCB	ASSY	1	
6	DB93-01369A	ASSY-MODULE PCB	ASSY	1	
7	DB70-00277A	PLATE-TERMINAL LOW	SGCC-M, T1.2	1	
8	DB61-00171A	HOLDER-WIRE CLAMP	ABS	1	
9	-	SCREW-MACHINE	PH M3 x L22	1	SNA
10	-	SCREW-MACHINE	TH M4 x L16	2	SNA
11	-	SCREW-MACHINE	TH M4 x L10	2	SNA
12	DB93-01386A	ASSY-C/W MOTOR CAPACITOR	ASSY	1	
13	DB93-01384A	ASSY-C/W AC/DC CONNECTION	ASSY	1	
14	DB93-01380A	ASSY-C/W MODULE PCB	ASSY	1	
15	DB39-00643F	C/W STEP MOTOR UP/DOWN	ASSY	1	
16	2301-001377	CAPACITOR	1.2uF, 450VAC	1	
17	DB32-00020G	ASSY-THERMISTOR	4P (103AT)	1	
18	DB93-01549A	POWER CORD	250V, 10/16A	1	
19	DB62-01368X	SEAL	61x40x3, 30FOAM-PE	1	
20	DB61-01106A	CASE CONTROL(DC)	HIPS V0	1	
21	6501-000123	CABLE TIE	DA-140	1	
22	-	-	-	-	
23	DB62-01567V	SEAL	95x60x1, FOAM-LEX	1	

■ SH09ZS8 / SH07ZS8, AQ09S8GE / AQ07S8GE : DB93-01523A



■ Parts List

No.	Code No.	Description	Specification	Q'TY	Remark
1	DB61-01127A	CASE-CONTROL AC	HIPS V0	1	
2	DB93-01347A	ASSY-MAIN PCB	ASSY	1	
3	DB93-01540A	ASSY-S/W & DISPLAY PCB	ASSY	1	
4	DB93-01369A	ASSY-MODULE PCB	ASSY	1	
5	DB65-00103B	ASSY-TERMINAL BLOCK	ASSY	1	
6	DB70-00289A	PLATE-TERMINAL LOW	SGCC-M,T1.2	1	
7	DB61-00171A	HOLDER-WIRE CRAMP	HIPS	1	
8	DB32-00020A	ASSY-THEMISTOR	ASSY	1	
9	-	SCREW-MACHINE	PH M3xL22	1	SNA
10	-	SCREW-MACHINE	TH M4xL10	1	SNA
11	-	SCREW-MACHINE	TH M4xL16	2	SNA
12	DB93-01380B	C/W MODULE	ASSY	1	
13	DB39-00643M	C/W STEP MOTOR UP/DOWN	ASSY	1	
14	DB93-01549B	POWER CORD	3G, 1.0mm ²	1	
15	DB62-01368X	SEAL	61x40x3,30FOAM-PE,GRAY	1	
16	-	SCREW-MACHINE	PH M4x10	1	