

# **TOSHIBA**

ROOM AIR-CONDITIONER (SPLIT TYPE)

**RAS-07UKR/07UA**

**RAS-07UKRX/07UAX**

**RAS-07UKR4X/07UA4X**

**RAS-09UKR4X/09UA4X**

## **SUMMARY**

This SERVICE DATA covers correct portion only from original SERVICE DATA (File No. 300-921).  
Use this supplement with original SERVICE DATA (300-921).

Specifications are subject to change without notice.

# 1. SPECIFICATIONS

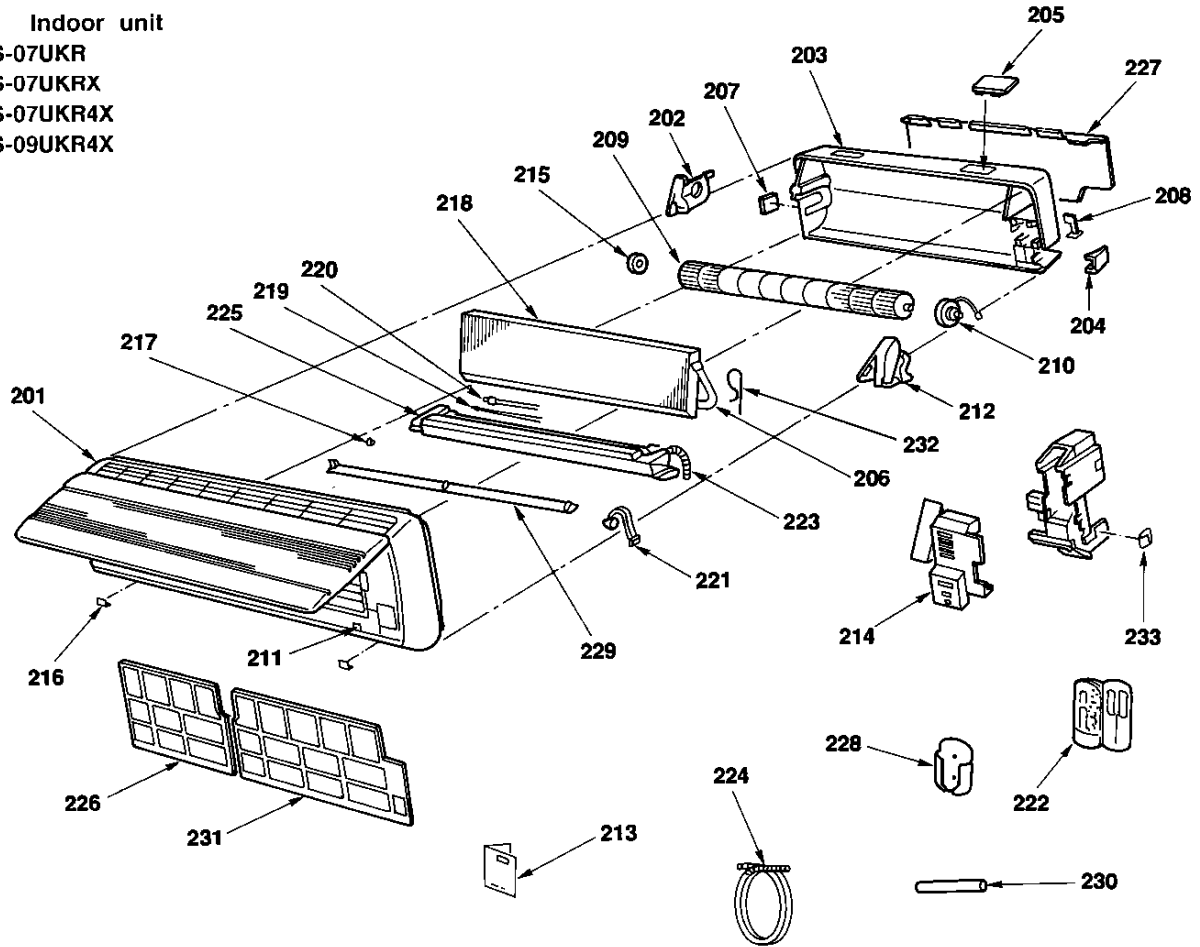
Specifications are subject to change without notice.

ITEM		MODEL	RAS-07UKR/07UA RAS-07UKRX/07UAX	RAS-07UKR4X/07UA4X
Capacity	*1	kW	1.9	←
		Btu/h	(6536)	←
Power source		Phase	Single	←
		V	220-240	200-220
		Hz	50	←
Power consumption		kW	0.52	←
Power factor		%	98	←
Running current		A	2.31	2.53
Starting current		A	16	11
Moisture removal		lit/h	0.8	←
Noise	Indoor (H/M/L)	dB	42/36/31	←
	Outdoor	dB	45	←
Refrigerant	Name of refrigerant		R-22	←
	Rated volume	kg (lbs)	0.50 (1.10)	←
Refrigerant control			Capillary tube	←
Inter-connection pipe	Gas side size	mm (in)	9.52 (3/8)	←
	Connection type		Flare	←
	Liquid side size	mm (in)	6.35 (1/4)	←
	Connection type		Flare	←
	Maximum length (of one way)	*2 m (ft)	10 (32.8)	←
	Maximum height Indoor unit higher		5 (16.4)	←
	Outdoor unit higher	m (ft)	5 (16.4)	←
Condensate drain pipe	Outer Diameter	mm (in)	φ16 (5/8)	←
INDOOR UNIT		RAS-	07UKR, 07UKRX	07UKR4X
Dimensions	Height	mm (in)	265 (10.4)	←
	Width	mm (in)	790 (31.1)	←
	Depth	mm (in)	155 (6.1)	←
Net weight		kg (lbs)	8.0 (17.6)	←
Evaporator type			Finned tube	←
Indoor fan type			Cross flow fan	←
Air volume	High Fan	m <sup>3</sup> /h (CFM)	460 (270)	←
	Medium Fan	m <sup>3</sup> /h (CFM)	370 (215)	←
	Low Fan	m <sup>3</sup> /h (CFM)	300 (175)	←
Fan motor output		W	18	←
Air filter			Polypropylene net filter (Washable)	←
OUTDOOR UNIT		RAS-	07UA, 07UAX	07UA4X
Dimensions	Height	mm (in)	530 (20.9)	←
	Width	mm (in)	770 (30.3)	←
	Depth	mm (in)	200 (7.9)	←
Net weight		kg (lbs)	26 (57.3)	←
Condenser type			Finned tube	←
Outdoor fan type			Propeller	←
Air flow volume		m <sup>3</sup> /h (CFM)	1360 (800)	←
Fan motor output		W	18	←
Compressor	Model		PH70T1-4C	PH70T1-9C
	Output	W	500	←
Safety device			Overcurrent Relay	←
Auto louver			Yes	←
Usable outdoor temperature range		°C (°F)	21 ~ 43 (70 ~ 109)	←



## 12. EXPLODED VIEWS AND PARTS LIST

12.1 Indoor unit  
 RAS-07UKR  
 RAS-07UKRX  
 RAS-07UKR4X  
 RAS-09UKR4X



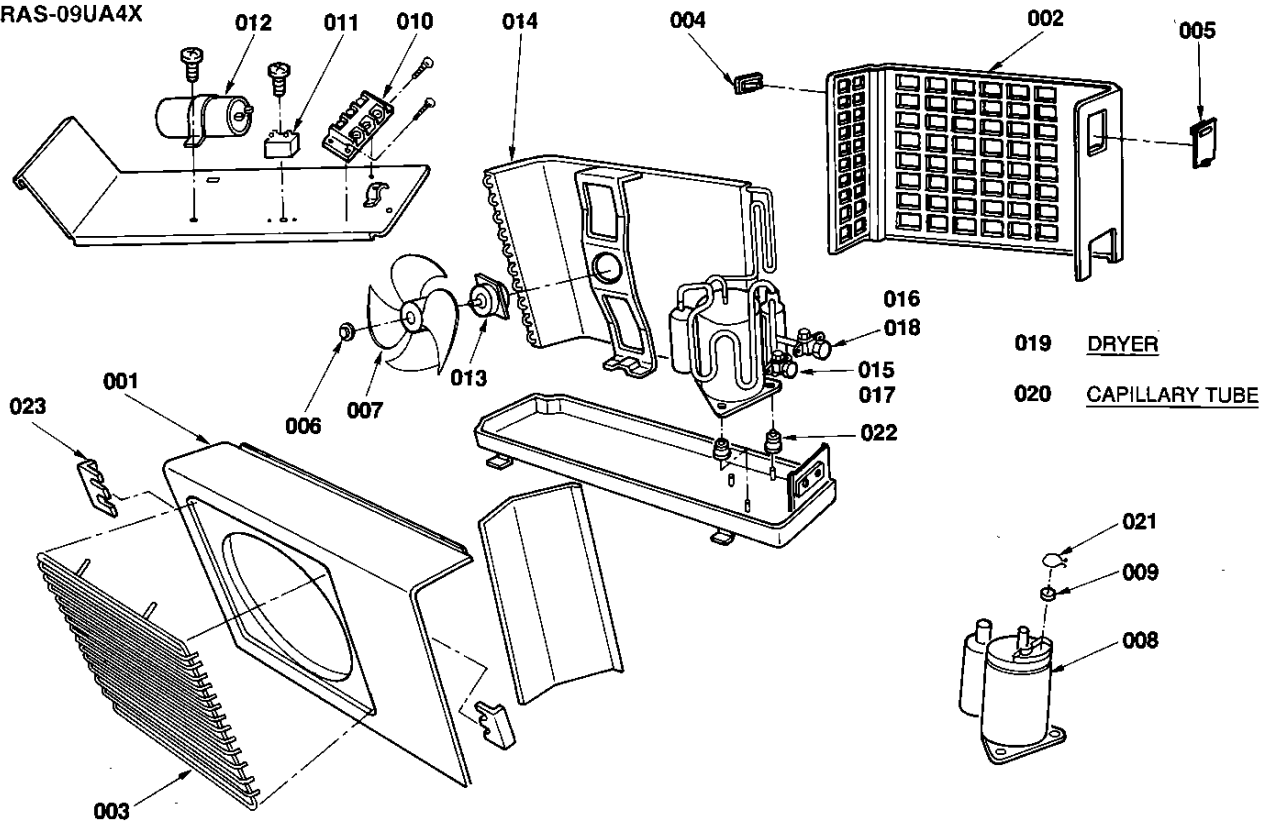
Location No.	Part No.	Description
201	43005012	Front Panel
202	43039251	Base Bearing
203	43003218	Rear Plate
204	43007963	Bush, Rear Plate, Right
205	43007967	Lid, Rear Plate
206	43011503	Pipe Sealed
207	43007964	Bush, Rear Plate, Left
208	43019836	Holder, Pipe
209	43020244	Fan, Cross Flow
210	43021907	Motor, Fan, AC200V 50Hz
211	43007842	Latch
212	43039250	Motor Band Left
213	43086766	Owner's Manual
214	43006012	Cover, E-Parts
215	43022321	Bearing
216	43007961	Cap, Screw
217	43007843	Bushing

Location No.	Part No.	Description
218	43044559	Evaporator
219	43047331	Pipe, Delivery
220	43047332	Pipe, Suction
221	43021794	Motor, Louver
222	43068061	Remote Controller
223	43070140	Hose, Drain
224	43070090	Hose, 3M, Drain
225	43009450	Grille Assy (with drain pan)
226	43080359	Air Filter (Left)
227	43082251	Plate, Installation
228	43063253	Holder, Remote Controller
229	43009408	Grille
230	43011499	Pipe Sealed
231	43080358	Air Filter (Right)
232	43019822	Holder, Sensor
233	43007039	Cover, Terminal



12.2 Outdoor unit

RAS-07UA  
 RAS-07UAX  
 RAS-07UA4X  
 RAS-09UA4X



Location No.	Part No.	Description
001	43005037	Cabinet, Front
002	43005038	Cabinet, Back
003	43019769	Guard, Fan
004	43019653	Handle
005	43062124	Cover, E-Parts
006	43047549	Flange, Nut
007	43020223	Fan, Propeller
008	43041142	Compressor, PH70T1-4C (RAS-07UA, 07UAX)
008	43041143	Compressor, PH70T1-9C (RAS-07UA4X)
008	43041566	Compressor, PH94T1-9C (RAS-09UA4X)
009	43054313	Relay, Overload, MSF40AMM (RAS-07UA, 07UAX, 07UA4X)
009	43054259	Relay, Overload, OL-062EQ (RAS-09UA4X)
010	43160983	Terminal, 3P

Location No.	Part No.	Description
011	43055458	Capacitor, 1.2MFD, 450V (RAS-07UA, 07UAX)
011	43055409	Capacitor, 1.5MFD, 400V (RAS-09UA4X, 07UA4X)
012	43055365	Capacitor, Plastic Film, 20MFD, 400V
013	43021928	Motor, Fan, UE6-21A5r
014	43020227	Condenser (RAS-09UA4X)
014	43020228	Condenser (RAS-07UA, 07UAX, 07UA4X)
015	43046228	Packed Valve, 1/4
016	43046229	Packed Valve, 3/8
017	43147196	Bonnet, 1/4in.
018	43047401	Bonnet, 3/8in.
019	43045073	Dryer
020	43047491	Capillary Tube, 1.5DIA
021	43069988	Holder, OL-Relay
022	43049643	Rubber-Cushion
023	43019770	Stopper, Guard

**TOSHIBA CORPORATION**

1-1, SHIBAURA 1-CHOME, MINATO-KU, TOKYO 105, JAPAN

