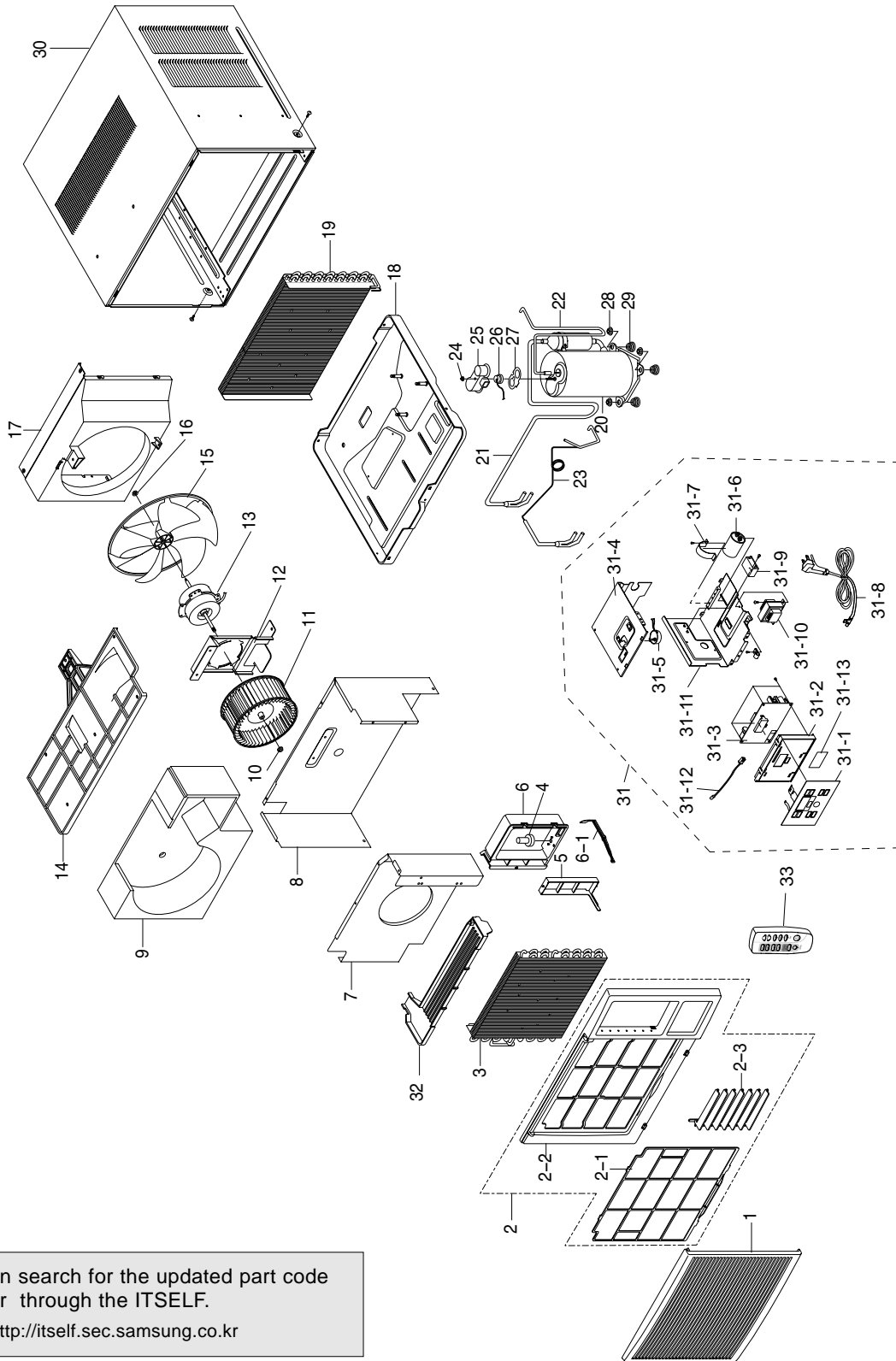


6. Exploded View and Parts List

6-1 Main unit (Type "A")



You can search for the updated part code number through the ITSELF.
URL : <http://itself.sec.samsung.co.kr>

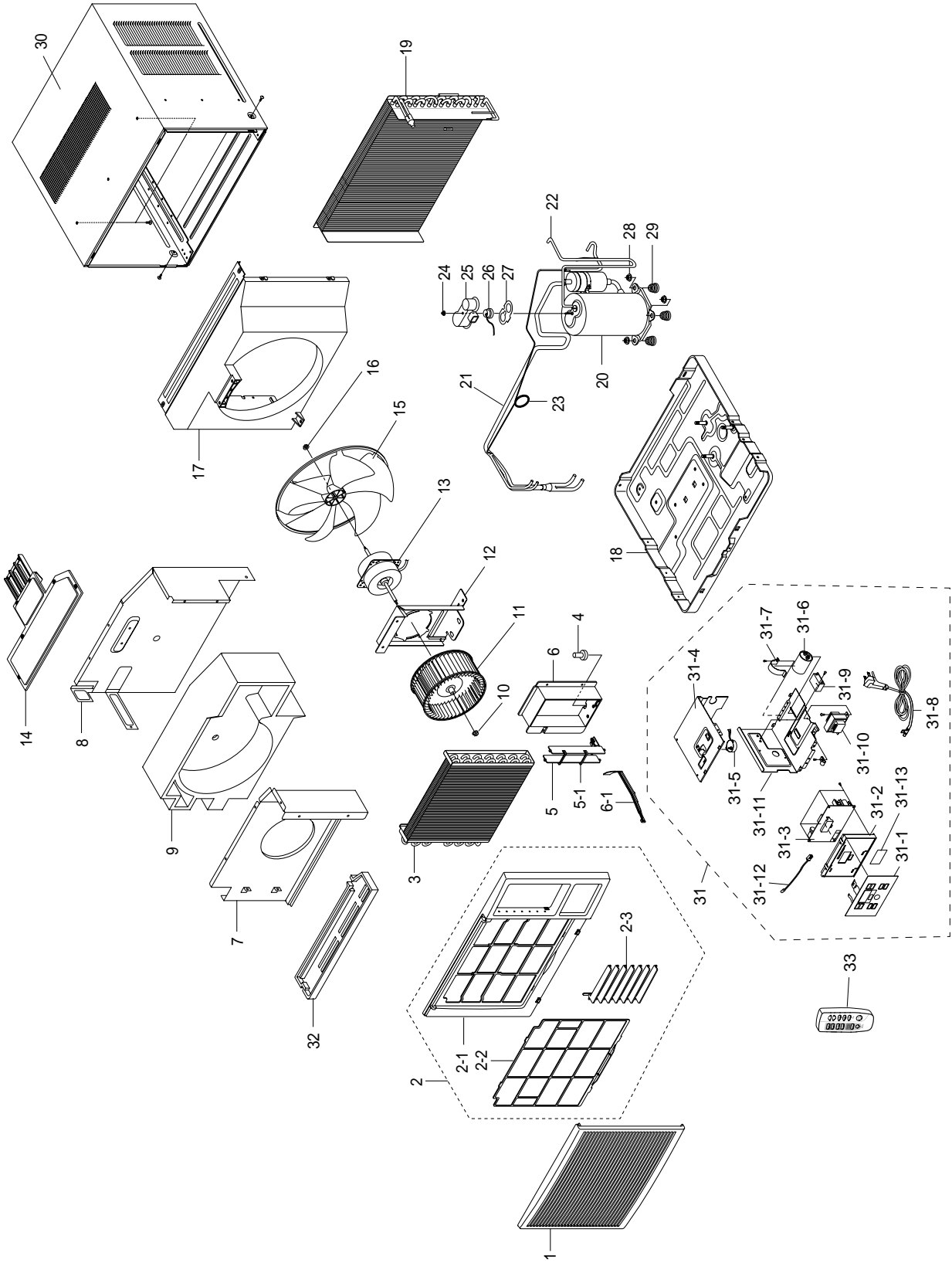
■ Part List (Type "A")

No	Description	Code No.	Specification	Q'ty			
				AW07FANBA	AW07GANBA	AW07FANEA	AW07GANEA
1	INLET GRILLE	DB92-00046C	HIPS, ASS'Y	1	-	1	-
		DB64-00014A	HIPS, SC-94445R	-	1	-	1
2	ASS'Y PANEL FRONT	DB92-00052A	F-TYPE, SC-94445R	1	-	1	-
		DB92-70096A	G-TYPE, SC-94445R	-	1	-	1
2-1	FILTER	DB64-00014A	G-TYPE, SC-94445R	-	1	-	1
2-2	PANEL-FRONT	DB64-70093A	G-TYPE, SC-94445R	-	1	-	1
		DB64-00167A	F-TYPE, SC-94445R	1	-	1	-
2-3	BLADE-H	DB66-00053A	F-TYPE, SC-94445R	1	-	1	-
		DB66-30191A	G-TYPE, SC-94445R	-	1	-	1
3	EVAPORATOR	DB96-00994A	2R x 14S, FP1.3	1	1	1	1
4	ARM BLADE	DB66-70031A	PS, BLK	1	1	1	1
5	BLADE-V	DB66-30211B	HIPS, SC-97525R	1	1	1	1
6	FRAME-BLADE	DB90-00508B	ASS'Y, SC-94445R	1	1	1	1
6-1	LEVER-DAMPER	DB66-70030A	HIPS, SC-94445R	1	1	1	1
7	PLATE-EVAP CASING	DB90-00604A	ASS'Y, SGCC-M	1	1	1	1
8	PLATE-PARTITION	DB90-00619A	ASS'Y, SGCC-M	1	1	1	1
9	CASE-BLOWER	DB61-00645A	EPS, WHT	1	1	1	1
10	NUT-FRANGE	DB60-30004A	M6, YEL	1	1	1	1
11	BLOWER	DB67-50078A	ABS 0D ø180	1	1	1	1
12	MOUNTER MOTOR	DB61-00651A	SGCC-M, T1.0	1	1	1	1
13	MOTOR	DB31-00124B	IC-9630SWF6X	1	1	-	-
		DB31-00124C	IC-9430SWJ5C	-	-	1	1
14	ASS'Y-CASE EVAP	DB90-00539A	ASS'Y, PP	1	1	1	1
15	FAN PROPELLER	DB67-50077A	ABS, YEL	1	1	1	1
16	NUT-FRANGE	DB60-30020A	M6, LEFT	1	1	1	1
17	CASE-COND	DB90-00337A	PP, BLK	1	1	1	1
18	BASE	DB90-20212B	ASS'Y, SC-94445T	1	1	1	1
19	CONDENSER	DB96-00995A	2R x 15S, FP1.5	1	1	1	1
20	COMPRESSOR	44A072IW1EB	220V / 60Hz	1	1	-	-
		44A070JW1EB	240V / 50Hz	-	-	1	1
21	TUBE-SUCTION	DB96-00966A	0D 9.52	1	1	1	1
22	TUBE-DISCHARGE	DB62-00675A	0D 7.93	1	1	1	1
23	TUBE-CAPILLARY	DB96-00992A	ID ø1.3 x 900	1	1	1	1
24	NUT-FRANGE	DB60-30018A	M5, YEL	1	1	1	1
25	COVER TERMINAL	DB63-10026A	NORYL, BLK	1	1	1	1
26	O.L.P	DB47-20002J	MRA12043-12008	1	1	-	-
		DB47-20001Y	MST24AMN-12008	-	-	1	1
27	GASKET	DB63-20002A	RUBBER, T0.8	1	1	1	1
28	NUT WASHER	DB60-30028A	M8, ZPC	3	3	3	3
29	GROMET ISOLATOR	DB73-00070A	NR, 35°	3	3	3	3
30	ASS'Y-CABINET	DB90-00133M	ASS'Y	1	1	1	1
31	ASS'Y-CONTROL	DB93-01040A	220V / 60Hz	1	1	-	-
		DB93-00465U	240V / 50Hz	-	-	1	1
32	TRAY DRAIN	DB63-00274A	HIPS, T2	1	1	1	1
33	ASS'Y-REMOCON	DB93-00284K	ENGLISH, ARC-709	1	1	1	1

■ Part List (Type "A")

No	Description	Code No.	Specification	Q'ty			
				AW09FANBA	AW09GANBA	AW09FANEA	AW09GANEA
1	INLET GRILLE	DB92-00046C	HIPS, ASS'Y	1	-	1	-
		DB64-00014A	HIPS, SC-94445R	-	1	-	1
2	ASS'Y PANEL FRONT	DB92-00052A	F-TYPE, SC-94445R	1	-	1	-
		DB92-70096A	G-TYPE, SC-94445R	-	1	-	1
2-1	FILTER	DB64-00014A	G-TYPE, SC-94445R	-	1	-	1
2-2	PANEL-FRONT	DB64-70093A	G-TYPE, SC-94445R	-	1	-	1
		DB64-00167A	F-TYPE, SC-94445R	1	-	1	-
2-3	BLADE-H	DB66-00053A	F-TYPE, SC-94445R	1	-	1	-
		DB66-30191A	G-TYPE, SC-94445R	-	1	-	1
3	EVAPORATOR	DB96-00994A	2R x 14S, FP1.3	1	1	1	1
4	ARM BLADE	DB66-70031A	PS, BLK	1	1	1	1
5	BLADE-V	DB66-30211B	HIPS, SC-97525R	1	1	1	1
6	FRAME-BLADE	DB90-00508B	ASS'Y, SC-94445R	1	1	1	1
6-1	LEVER-DAMPER	DB66-70030A	HIPS, SC-94445R	1	1	1	1
7	PLATE-EVAP CASING	DB90-00604A	ASS'Y, SGCC-M	1	1	1	1
8	PLATE-PARTITION	DB90-00619A	ASS'Y, SGCC-M	1	1	1	1
9	CASE-BLOWER	DB61-00645A	EPS, WHT	1	1	1	1
10	NUT-FRANGE	DB60-30004A	M6, YEL	1	1	1	1
11	BLOWER	DB67-50078A	ABS 0D ø180	1	1	1	1
12	MOUNTER MOTOR	DB61-00651A	SGCC-M, T1.0	1	1	1	1
13	MOTOR	DB31-00124B	IC-9630SWF6X	1	1	-	-
		DB31-00124C	IC-9430SWJ5C	-	-	1	1
14	ASS'Y-CASE EVAP	DB90-00539A	ASS'Y, PP	1	1	1	1
15	FAN PROPELLER	DB67-50077A	ABS, YEL	1	1	1	1
16	NUT-FRANGE	DB60-30020A	M6, LEFT	1	1	1	1
17	CASE-COND	DB90-00337A	PP, BLK	1	1	1	1
18	BASE	DB90-20212B	ASS'Y, SC-94445T	1	1	1	1
19	CONDENSER	DB96-01027A	3R x 15S, FP1.5	1	1	1	1
20	COMPRESSOR	44A092IU1EF	220V / 60Hz	1	1	-	-
		44A092JU2EF	240V / 50Hz	-	-	1	1
21	TUBE-SUCTION	DB96-01370A	OD 9.52	1	1	1	1
22	TUBE-DISCHARGE	DB62-00826A	OD 7.93	1	1	1	1
23	TUBE-CAPILLARY	DB96-001375A	ID ø1.42 x 1100	1	1	1	1
24	NUT-FRANGE	DB60-30018A	M5, YEL	1	1	1	1
25	COVER TERMINAL	DB63-10026A	NORYL, BLK	1	1	1	1
26	O.L.P	DB47-20002A	MRA12032-12008	1	1	-	-
		DB47-20057R	MRA12054-12008	-	-	1	1
27	GASKET	DB63-20002A	RUBBER, T0.8	1	1	1	1
28	NUT WASHER	DB60-30028A	M8, ZPC	3	3	3	3
29	GROMET ISOLATOR	DB73-00070A	NR, 35°	3	3	3	3
30	ASS'Y-CABINET	DB90-00133M	ASS'Y	1	1	1	1
31	ASS'Y-CONTROL	DB93-00465G	220V / 60Hz	1	1	-	-
		DB93-01040C	240V / 50Hz	-	-	1	1
32	TRAY DRAIN	DB63-00274A	HIPS, T2	1	1	1	1
33	ASS'Y REMOCON	DB93-00284K	ENGLISH, ARC-709	1	1	1	1

6-2 Main unit (Type "B")



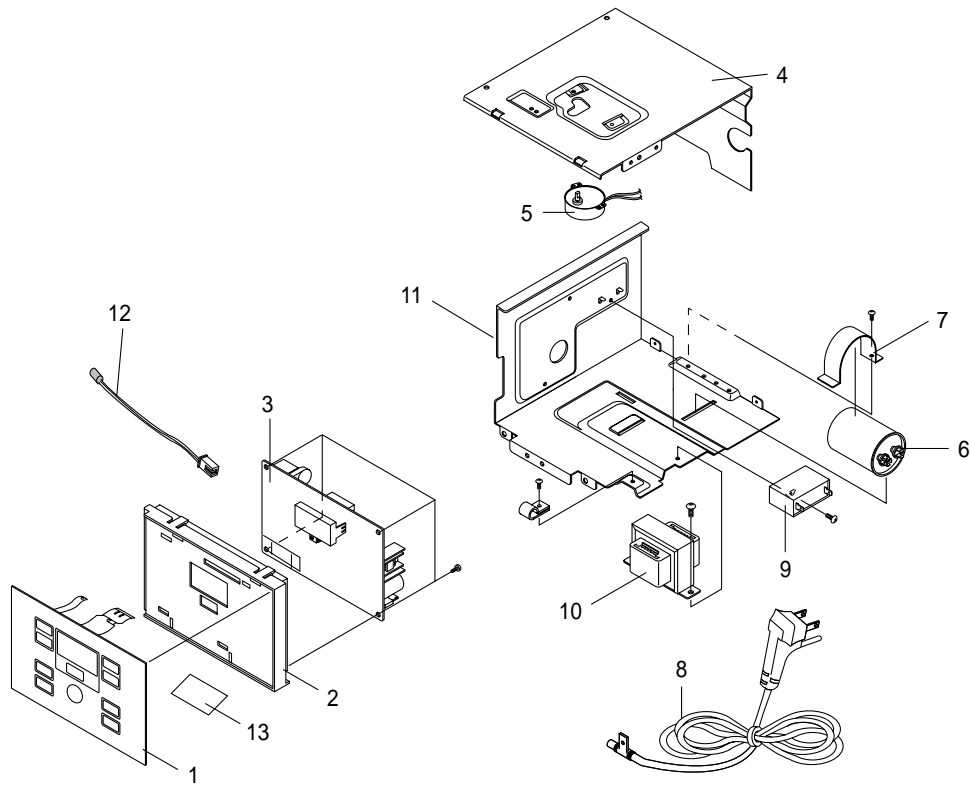
■ Part List (Type "B")

No	Description	Code No.	Specification	Q'ty							
				AW12FADBA	AW12FBDBA	AW10FADBA	AW12FADEA	AW12FADAA	AW12FBDA	AW12GADEA	AW12FADBB
1	INLET GRILLE	DB92-00071A	HIPS,SC-94445R	1	1	1	1	1	1	-	1
		DB64-00012A	HIPS,SC-94445R	-	-	-	-	-	-	1	-
2	ASS'Y-PANEL FRONT	DB92-00072A	ASS'Y,SC-94445R	1	1	1	1	1	1	-	1
		DB92-10319C	ASS'Y,SC-94445R	-	-	-	-	-	-	1	-
2-1	FILTER	DB63-30142A	HIPS,SC-94445R	-	-	-	-	-	-	1	-
2-2	PANEL-FRONT	DB64-70080A	HIPS,SC-94445R	-	-	-	-	-	-	1	-
		DB64-00168A	HIPS,SC-94445R	1	1	1	1	1	1	-	1
2-3	BLADE-H	DB66-00049A	PP,SC-94445R	1	1	1	1	1	1	-	1
		DB66-30169A	PP,SC-94445R	-	-	-	-	-	-	1	-
3	EVAPORATOR	DB96-01002A	3R*16S, F.P1.2	1	1	-	1	1	1	1	1
		DB96-00978A	2R*14S, OD9.52	-	-	1	-	-	-	-	-
4	ARM BLADE	DB66-70022D	PS,T2	1	1	1	1	1	1	1	1
5	BLADE-V	DB66-30170A	PP,SC-97525R	1	1	1	1	1	1	1	1
6	FRAME-BLADE	DB90-00510A	ASS'Y,SC-94445R	1	1	1	1	1	1	1	1
6-1	LEVER DAMPER	DB66-70024A	HIPS,SC-94445R	1	1	1	1	1	1	1	1
7	PLATE-EVAP CASING	DB71-00074A	SGCC-M,T0.7	1	1	1	1	1	1	1	1
8	PLATE-PARTITION	DB90-00647B	SGCC-M,T0.7	1	1	1	1	1	1	1	1
9	CASE EVAP	DB61-00649A	30FOAM-PS	1	1	1	1	1	1	1	1
10	NUT FRANGE	DB60-30020A	M6, LEFT	1	1	1	1	1	1	1	1
11	BLOWER	DB67-50073A	ABS, OD180	1	1	-	1	1	1	1	1
		DB67-50078A	ABS, SPS	-	-	1	-	-	-	-	1
12	MOUNTER MOTOR	DB61-00650A	SGCC-M,T1.2	1	1	1	1	1	1	1	1
13	MOTOR	DB31-00122B	YGN60-6D	1	1	-	-	-	-	-	-
		DB31-00122C	YFK-70-6C	-	-	-	1	-	-	1	-
		DB31-00122A	YGN60-6B	-	-	-	-	1	1	-	-
		DB31-00122D	YFK-70-6E	-	-	1	-	-	-	-	1
14	ASS'Y-COVER EVAP	DB90-00511A	ASSY,PP	1	1	1	1	1	1	1	1
15	FAN PROPELLER	DB67-00139A	ABS+G/F, NTR	1	1	1	1	1	1	1	1
16	NUT FRANGE	DB60-30004A	M6, WHT	1	1	1	1	1	1	1	1
17	CASE COND	DB61-00647A	PP,T2	1	1	1	1	1	1	1	1
18	BASE PAN	DB90-00514C	44 FRAME	1	1	1	-	1	1	-	1
		DB90-00514B	48 FRAME	-	-	-	1	-	-	1	-
19	CONDENSER	DB90-00979A	3R*17S, F.P1.5	1	1	-	-	1	-	-	1
		DB96-00982A	2R*17S, F.P1.5	-	-	1	1	-	-	1	-
		DB96-00979B	2R*17S, F.P1.5	-	-	-	-	-	1	-	-
20	COMPRESSOR	44B124IX1EL	208/230V, 60Hz	1	1	-	-	-	-	-	1
		44B102IU1EL	208/230V, 60Hz	-	-	1	-	-	-	-	-
		44B124HX1EL	115V, 60Hz	-	-	-	-	1	1	-	-
		48A124JV1EL	208/230V, 50Hz	-	-	-	1	-	-	1	-
21	TUBE-SUCTION	DB62-00684A	OD12.7	1	1	-	1	1	1	1	1
		DB96-01444A	OD9.52	-	-	1	-	-	-	-	-
22	TUBE-DISCHARGE	DB62-00327A	OD9.52	1	1	1	1	1	1	1	1
23	TUBE-CAPILLARY	DB96-01009A	ID1.7xL1000x1	1	1	-	-	-	-	-	-
		DB96-01010A	ID1.7xL1100x1	-	-	-	1	-	-	1	1
		DB62-00687A	ID1.7xL900x1	-	-	-	-	1	1	-	-
		DB96-01501A	ID1.2x1000x2	-	-	1	-	-	-	-	-

■ Part List (Type "B")

No	Description	Code No.	Specification	Q'ty							
				AW12FADBA	AW12FBDBA	AW10FADBA	AW12FADEA	AW12FADAA	AW12FBDAA	AW12GADEA	AW12FADBB
24	NUT FRANGE	DB60-30018A	M5	1	1	1	1	1	1	1	1
25	COVER TERMINAL	DB63-10026A	NORYL,BLK	1	1	1	1	1	1	1	1
26	OLP	DB35-00004Z	MRA12070-12007	1	1	-	-	-	-	-	1
		DB47-20001Z	MRA12030-12008	-	-	-	1	-	-	1	-
		DB47-20001U	MRA98693-12007	-	-	-	-	1	1	-	-
		DB35-00015M	RAC12049-9622	-	-	1	-	-	-	-	-
27	GASKET	DB63-20002A	RUBBER,BLK	1	1	1	1	1	1	1	1
28	NUT WASHER	DB60-30028A	M8,ZPC	3	3	3	3	3	3	3	3
29	GROMET ISOLATOR	DB73-00070A	NR, BLK	3	3	3	3	3	3	3	3
30	ASS'Y CABINET	DB90-00364A	ASS'Y, SC-9445T	1	1	1	1	1	1	1	1
31	ASS'Y CONTROL	DB93-00674B	TANDEM, 220V/60Hz	1	-	-	-	-	-	-	-
		DB93-00674H	TANDEM, 220V/60Hz	-	-	1	-	-	-	-	-
		DB93-01047B	BF3, 220/240V, 50Hz	-	-	-	1	-	-	1	-
		DB93-01047A	115V, 60Hz	-	-	-	-	1	-	-	-
		DB93-00694U	115V, 60Hz	-	-	-	-	-	1	-	-
		DB93-00674Q	220V/60Hz	-	-	-	-	-	-	-	1
		DB93-00674T	220V/60Hz	-	1	-	-	-	-	-	-
32	TRAY DRAIN	DB63-00276A	30FOAM-PS	1	1	1	1	1	1	1	1
33	ASS'Y-REMOCON	DB93-00284K	ARC-709	1	1	1	1	1	1	1	1

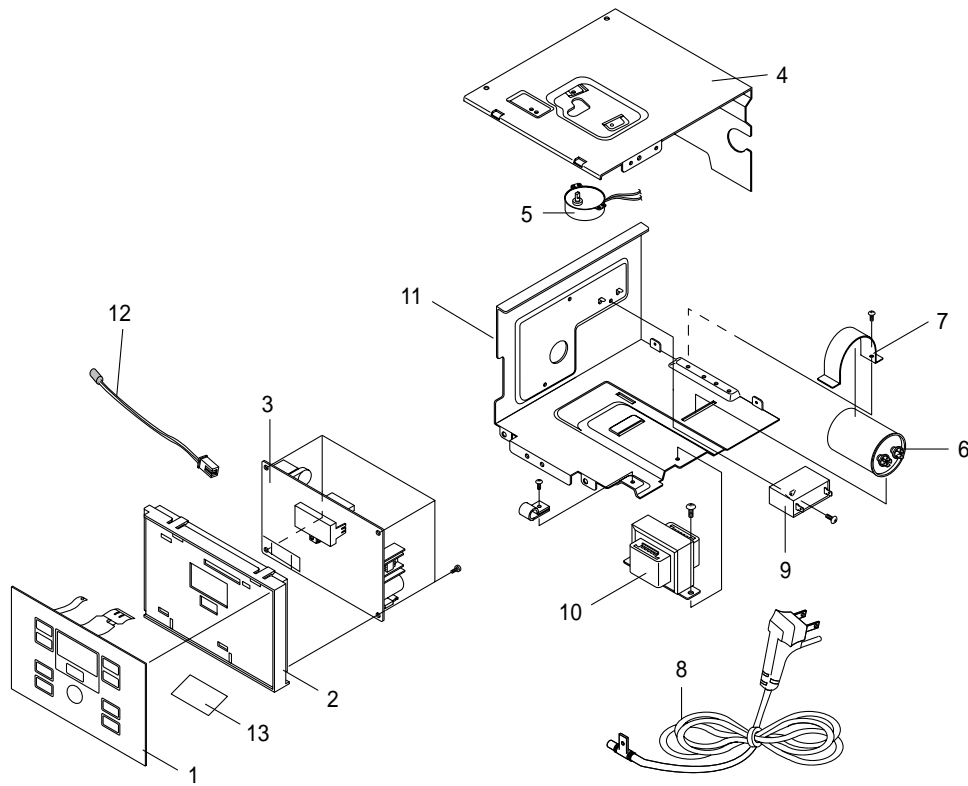
6-3 Ass'y Control



■ Part List (Type "A")

No	Description	Code No.	Specification	Q'TY			
				AW07FANBA AW07GANBA	AW07FANEA AW07GANEA	AW09FANBA AW09GANBA	AW09FANEA AW09GANEA
0	ASS'Y-CONTROL	DB93-01040A	220V/60Hz	1	-	-	-
		DB93-00465U	220-240/50Hz	-	1	-	-
		DB93-00465G	220V/60Hz	-	-	1	-
		DB93-01040C	220-240V/50Hz	-	-	-	1
1	SWITCH MEMBRANE	DB34-00015B	99*134.5, PC	1	-	-	-
		DB34-00013B	99*134.5, PC	-	1	1	1
2	PANEL CONTROL	DB64-00259A	HIPS, T2.0	1	1	1	1
3	ASS'Y-MAIN PCB	DB93-00407B	COOLING	1	1	1	1
4	CASE-CONTROL, UP	DB61-00419A	SGCC-M, T0.7	1	1	1	1
5	SWING MOTOR	DB31-00084B	AC240V	1	1	1	1
6	CAPACITOR(C-OIL)	2501-001225	20uF, 450V	-	-	1	-
		2501-001226	25uF, 450V	1	1	-	-
		2501-001237	35uF, 450V	-	-	-	1
7	CLIP-CAPACITOR	DB61-10008B	SGCC-M, T0.8	1	1	1	1
8	POWER CORD	DB39-00342A	TANDEM TAIWAN	1	-	-	-
		DB39-00344A	TANDEM, 250V	-	-	1	-
		DB39-00455B	BF-3, 250V/13A	-	1	-	1
9	CAPACITOR(C-FILM)	2301-001370	2.5uF, 450V	1	1	-	-
		2301-001369	3.0uF, 450V	-	-	1	1
10	TRANSFORMER	DB26-00006A	230V, 50/60Hz	1	1	1	1
11	CASE-CONTROL, LOW	DB61-00417A	SGCC-M, T0.7	1	1	1	1
12	THERMISTOR	DB32-10051B	10K/25, 103AT	1	1	1	1
13	WINDOW REMOCON	DB64-00321A	MTN-G2	1	1	1	1

Exploded View and Parts List



■ Part List (Type "B")

No	Description	Code No.	Specification	Q'TY						
				AW12FADBA	AW12FBDBA	AW10FADBA	AW12FADEA AW12GADEA	AW12FADAA	AW12FBDA A	AW12FADBB
0	ASS'Y-CONTROL	DB93-00674B	220V/60Hz	1	-	-	-	-	-	-
		DB93-00674H	220V/60Hz	-	-	1	-	-	-	-
		DB93-01047B	220-240V/50Hz	-	-	-	1	-	-	-
		DB93-01047A	115V/60Hz	-	-	-	-	1	-	-
		DB93-00674Q	220V/60Hz	-	-	-	-	-	-	1
		DB93-00674T	220V/60Hz	-	1	-	-	-	-	-
		DB93-00674U	115V/60Hz	-	-	-	-	-	1	-
1	SWITCH MEMBRANE	DB34-00013B	99*134.5, PC	1	-	-	1	1	-	-
		DB34-00015B	99*134.5, PC	-	-	1	-	-	-	1
		DB34-00026A	99*134.5, PE	-	1	-	-	-	1	-
2	PANEL CONTROL	DB64-00259A	HIPS, T2.0	1	1	1	1	1	1	1
		DB93-00407B	COOLING	1	-	1	1	1	-	1
3	ASS'Y-MAIN PCB	DB93-00407G	COOLING	-	1	-	-	-	1	-
		DB61-00421A	SGCC-M, T0.7	1	1	1	1	1	1	1
4	CASE-CONTROL, UP	DB31-00084A	AC120V	-	-	-	-	1	1	-
		DB31-00084B	AC240V	1	1	1	1	-	-	1
5	SWING MOTOR	2501-001234	20uF, 450V	-	-	1	-	-	-	-
		2501-001236	30uF, 450V	1	1	-	1	-	-	1
		2501-001231	50uF, 450V	-	-	-	-	1	1	-
6	CAPACITOR(C-OIL)	DB61-10008B	SGCC-M, T0.8	1	1	1	1	1	1	1
		DB39-00342A	TANDEM TAIWAN	-	-	1	-	-	-	1
7	CLIP-CAPACITOR	DB39-00344A	TANDEM, 250V	1	1	-	-	-	-	-
		DB39-00455B	BF-3, 250V/13A	-	-	-	1	-	-	-
		DB39-00343B	BF-3, 250V/13A	-	-	-	-	1	1	-
		2301-001378	3.5uF, 450V	1	1	1	-	-	-	-
		2301-001574	3.5uF, 450V	-	-	-	-	1	-	-
8	POWER CORD	2301-001452	15uF, 250V	-	-	-	-	1	1	-
		2301-001369	3.0uF, 450V	-	-	-	-	-	-	1
		DB26-00006B	125V, 60/50Hz	-	-	-	-	1	-	-
		DB26-00006A	230V, 50/60Hz	1	-	1	1	-	-	1
9	CAPACITOR(C-FILM)	DB26-00006E	230V, 50/60Hz	-	1	-	-	-	-	-
		DB26-00006F	230V, 50/60Hz	-	-	-	-	-	1	-
		DB61-00417A	SGCC-M, T0.7	1	1	1	1	1	1	1
		DB32-10051B	10K/25, 103AT	1	-	1	1	1	-	1
10	TRANSFORMER	DB32-10051E	10K/25	-	1	-	-	-	1	-
		DB64-00321A	MTN-G2	1	1	1	1	1	1	1
11	CASE-CONTROL, LOW	DB32-10051E	10K/25	-	1	-	-	-	1	-
		DB64-00321A	MTN-G2	1	1	1	1	1	1	1
12	THERMISTOR	DB32-10051E	10K/25	-	1	-	-	-	1	-
13	WINDOW REMOCON	DB64-00321A	MTN-G2	1	1	1	1	1	1	1