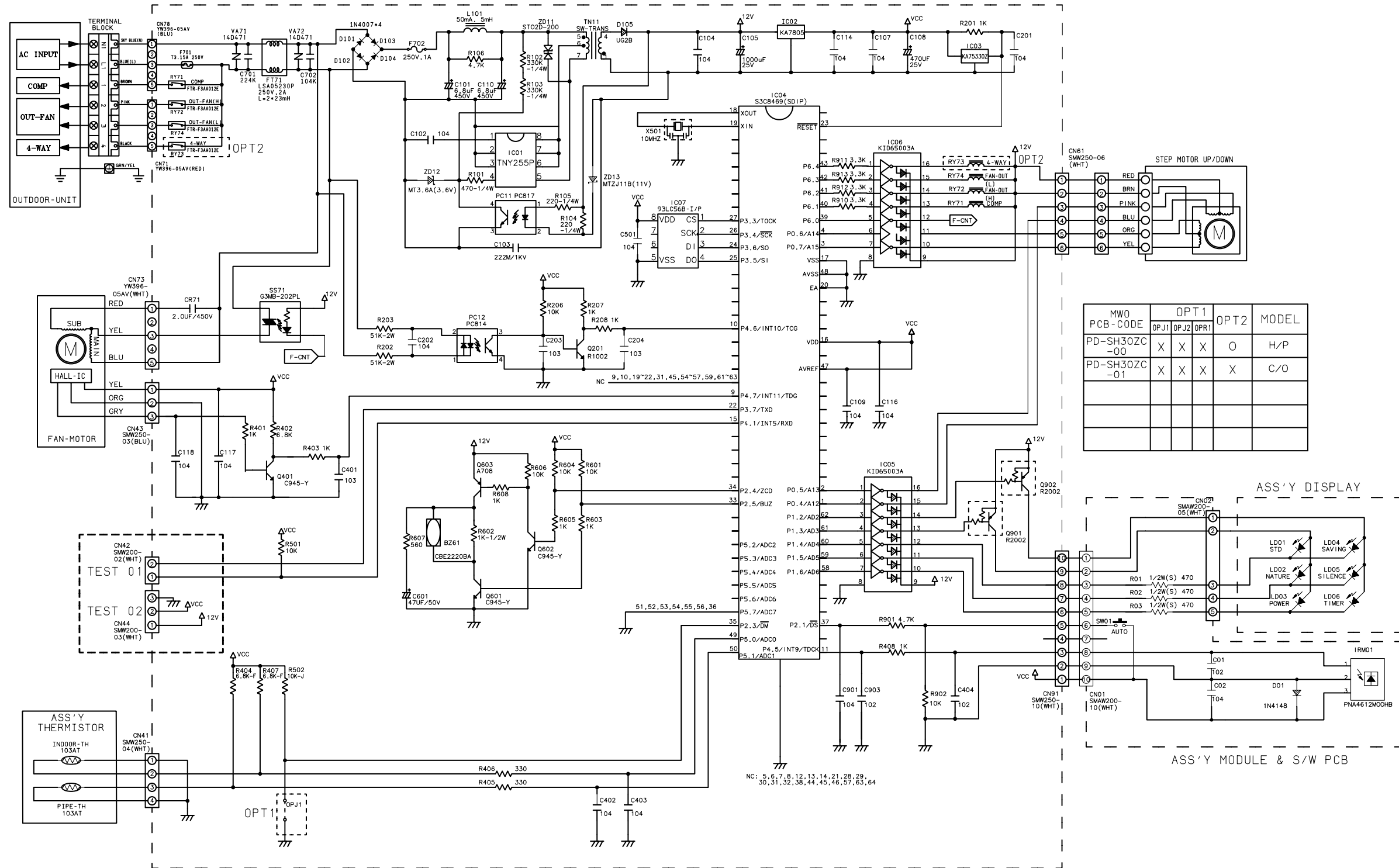


10. Schematic Diagrams

10-1 Indoor Unit



MEMO

UPDATE LOG SHEET

| Application date | Page | Part# | Note(Cause & Solution) | S/Bulletin# |
|------------------|------|-------|------------------------|-------------|
| | | | | |
| | | | | |
| | | | | |
| | | | | |
| | | | | |
| | | | | |
| | | | | |
| | | | | |
| | | | | |
| | | | | |
| | | | | |
| | | | | |
| | | | | |
| | | | | |

Use this page to keep any special servicing information. (Service Bulletin, etc.)
If only parts number changes, Just change parts number directly on parts list.
And if you need more information, please see the service website.

Itself Solution Integrated technology supporting electronic library
<http://itself.sec.samsung.co.kr>

Copyright © 2002

By Samsung Electronics Co., Ltd.

All rights reserved.

This manual may not, in whole or in part, be copied, photocopied, reproduced, translated, or converted to any electronic or machine readable form without prior written permission of Samsung Electronics Co., Ltd.

Printed in Korea.