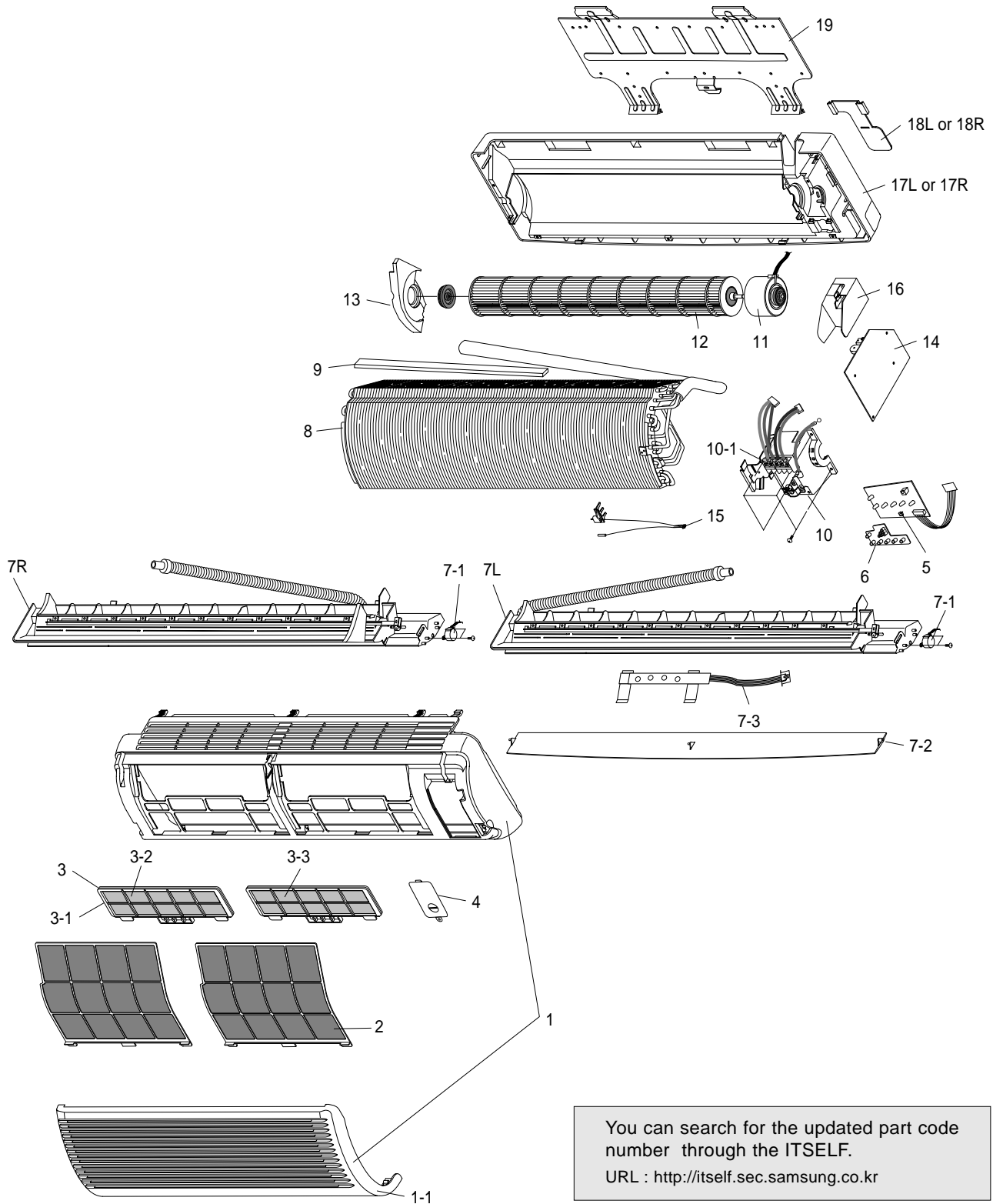


6. Exploded Views and Parts List

6-1 Indoor Unit



You can search for the updated part code number through the ITSELF.
URL : <http://itself.sec.samsung.co.kr>

■ Parts List

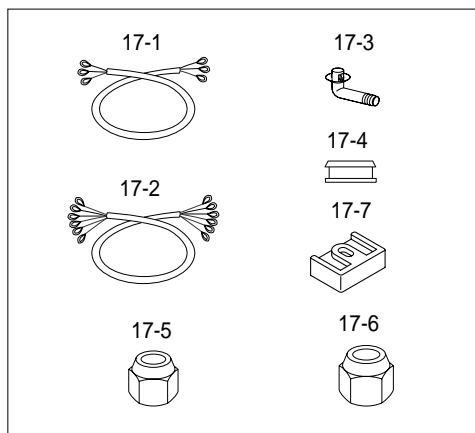
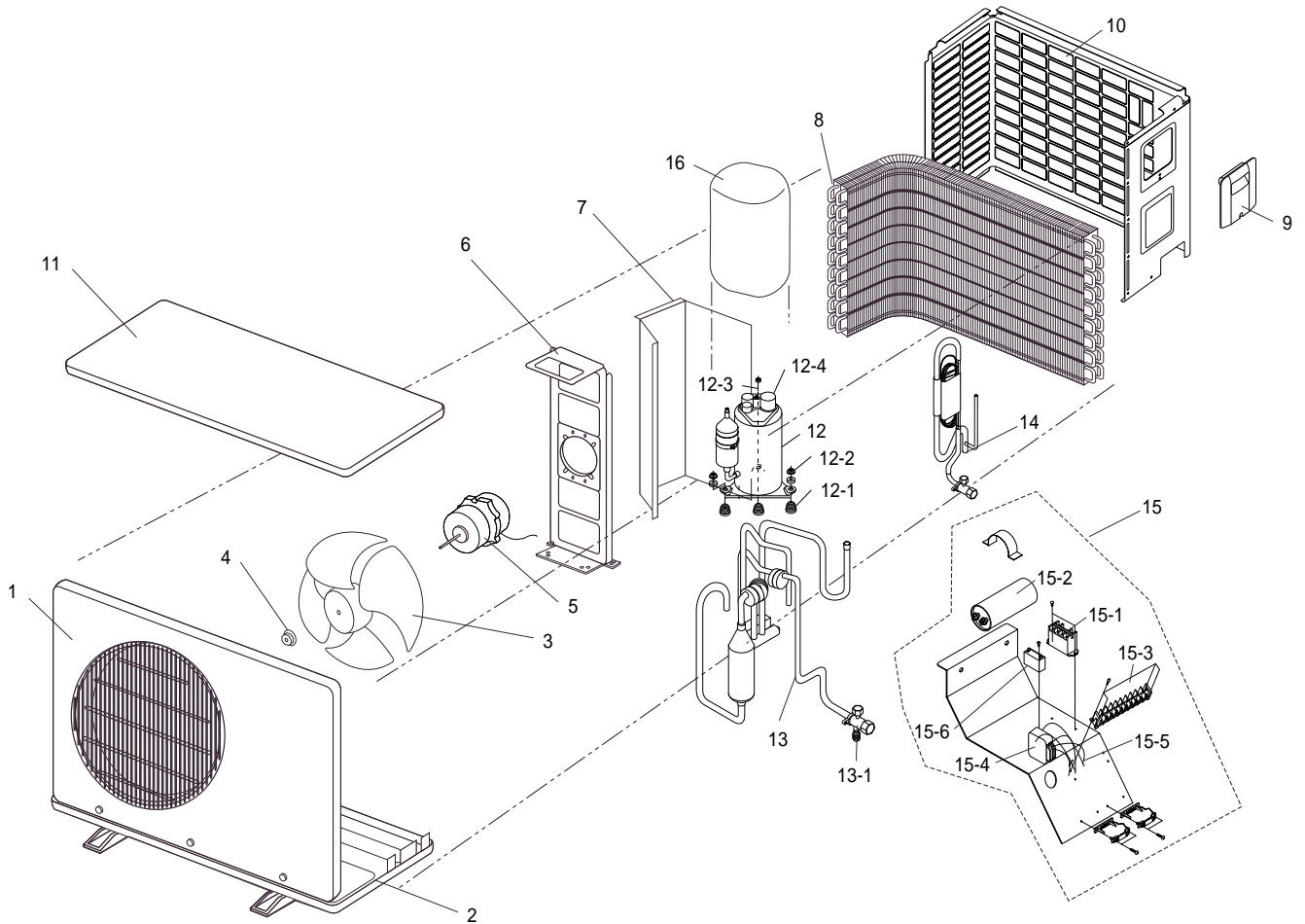
No.	CODE NO	Description	Specification	Q'TY			Remarks
				AQT24*5(6)RE(B) SH24T*5	AQT18C0REF AQT18*9(0)RE(B)	AQ18*9(0)RE SH18Z*9	
1	DB92-00035M	ASSY-FRONT PANEL	ASSY	1	1	1	MODEL:*A*
	DB92-00179B	ASSY-FRONT PANEL	ASSY	1	1	1	MODEL:*B*
	DB92-00265A	ASSY-FRONT PANEL	ASSY	1	1	-	MODEL:*C*
1-1	DB64-00127A	GRILL-AIR INLET	HIPS	1	1	1	MODEL:*A*
	DB64-00278A	GRILL-AIR INLET	HIPS	1	1	1	MODEL:*B*
	DB64-00359A	GRILL-AIR INLET	HIPS	1	1	-	MODEL:*C*
2	DB63-30150C	GUARD AIR FILTER	PP	2	2	2	
3	DB74-10101C	ASSY CLEANER FILTER	ASSY	1	1	1	OPTION
3-1	DB61-10164B	CASE-CLEANER FILTER	PP	1	1	1	OPTION
3-2	DB74-10082A	DEODORIZING FILTER	POLYESTER/CARBON	1	1	1	OPTION
3-3	DB74-10081A	CLEANER FILTER	POLYESTER/COTTON	1	1	1	OPTION
4	DB63-00091A	COVER TERMINAL	ABS(V0)	1	-	1	
	DB63-00289A	COVER TERMINAL	ABS(V0)	-	1	-	
5	DB93-00311C	ASSY DISPLAY PCB	ASSY	1	1	1	
	DB93-00926A	ASSY DISPLAY PCB	ASSY	1	1	-	MODEL:*C*
6	DB63-00115A	COVER DISPLAY	ABS(BLK)	1	1	1	
	DB63-00115A	COVER DISPLAY	ABS(BLK)	-	-	-	MODEL:*C*
7L	DB94-00029G	ASSY-TRAY DRAIN	ASSY	1	1	1	DRAIN: LEFT SIDE
7R	DB94-00099A	ASSY-TRAY DRAIN	ASSY	1	1	1	DRAIN: RIGHT SIDE
	DB94-00099E	ASSY-TRAY DRAIN	ASSY	1	1	-	MODEL:*C*
7-1	DB31-10153B	ASSY STEPING MOTOR	ASSY	1	1	1	
7-2	DB66-00104A	BLADE-H	ABS	1	1	1	
7-3	DB93-00860A	ASSY CENTER DISPLAY	ASSY	1	1	1	MODEL:*C*
8	DB96-01125A	ASSY EVAPORATOR	PLATE 1.2(5/8")	1	-	-	
	DB96-01125D	ASSY EVAPORATOR	SLIT 1.5(1/2")	-	1	1	
9	DB67-30089E	SPACER EVAP	PVC	1	-	1	
	DB67-00058A	SPACER EVAP	PVC	-	1	-	
10L	DB90-00140J	ASSY HOLDER MOTOR	ASSY	1	1	1	DRAIN: LEFT SIDE
10R	DB90-00433A	ASSY HOLDER MOTOR	ASSY	1	1	1	DRAIN: RIGHT SIDE
	DB90-00433Q	ASSY HOLDER MOTOR	ASSY	1	1	-	MODEL:*C*
10-1	DB65-00039A	ASSY TERMINAL BLOCK	6P,25A	1	1	1	
11	DB31-10151C	MOTOR FAN IN	IC-9430SKC7A	1	1	1	
12	DB94-00040J	ASSY CROSS FAN	ASSY	1	1	1	
13	DB90-40135D	ASSY HOLER BEARING	ASSY	1	1	1	DRAIN: LEFT SIDE
	DB90-40135D	ASSY HOLER BEARING	ASSY	-	-	-	DRAIN: RIGHT SIDE
14	PD-SH30ZC-00	ASSY MAIN PCB	ASSY	1	1	1	
	PD-SH30ZC-02	ASSY MAIN PCB	ASSY	1	1	1	
15	DB32-00027B	ASSY THERMISTER	ASSY	1	1	1	
16	DB61-10163A	CASE-CONTROL	ABS(V0)	1	1	1	
17L	DB94-20037H	ASSY BACK BODY	ASSY	1	1	1	DRAIN: LEFT SIDE
17R	DB94-00107A	ASSY BACK BODY	ASSY	1	1	1	DRAIN: RIGHT SIDE
18L	DB90-00163A	HOLER PIPE	PP	1	1	1	DRAIN: LEFT SIDE
18R	DB90-00434A	HOLER PIPE	PP	1	1	1	DRAIN: RIGHT SIDE
19	DB70-10663A	PLATE HANGER	SGCC-M	1	1	1	

■ Parts List

No.	CODE NO	Description	Specification	Q'TY		Remarks
				AQ(T)24**RE(B)D SH24T*6D	AQ18**RE(B)D SH18Z*0D	
1	DB92-00035M	ASSY-FRONT PANEL	ASSY	1	1	MODEL:*A*
	DB92-00179B	ASSY-FRONT PANEL	ASSY	-	-	MODEL:*B*
1-1	DB64-00127A	GRILL-AIR INLET	HIPS	1	1	MODEL:*A*
	DB64-00278A	GRILL-AIR INLET	HIPS	-	-	MODEL:*B*
2	DB63-30150C	GUARD AIR FILTER	PP	2	2	
3	DB74-10101C	ASSY CLEANER FILTER	ASSY	1	1	OPTION
3-1	DB61-10164B	CASE-CLEANER FILTER	PP	1	1	OPTION
3-2	DB74-10082A	DEODORIZING FILTER	POLYESTER/CARBON	1	1	OPTION
3-3	DB74-10081A	CLEANER FILTER	POLYESTER/COTTON	1	1	OPTION
4	DB63-00091A	COVER TERMINAL	ABS(V0)	1	1	
5	DB93-00311C	ASSY DISPLAY PCB	ASSY	1	1	
	DB93-00926A	ASSY DISPLAY PCB	ASSY	1	1	MODEL:*C*
6	DB63-00115A	COVER DISPLAY	ABS(BLK)	1	1	
7L	DB94-00029G	ASSY-TRAY DRAIN	ASSY	-	-	DRAIN: LEFT SIDE
7R	DB94-00099B	ASSY-TRAY DRAIN	ASSY	1	1	DRAIN: RIGHT SIDE
7-1	DB31-10153B	ASSY STEPING MOTOR	ASSY	1	1	
7-2	DB66-00104A	BLADE-H	ABS	1	1	
7-3	DB93-00860A	ASSY CENTER DISPLAY	ASSY	1	1	MODEL:*C*
8	DB96-01125A	ASSY EVAPORATOR	PLATE 1.2(5/8")	1	-	
	DB96-01125D	ASSY EVAPORATOR	SLIT 1.5(1/2")	-	1	
9	DB67-30089E	SPACER EVAP	PVC	1	1	
10L	DB90-00140J	ASSY HOLDER MOTOR	ASSY	1	1	DRAIN: LEFT SIDE
10R	DB90-00433A	ASSY HOLDER MOTOR	ASSY	1	1	DRAIN: RIGHT SIDE
10-1	DB65-00039A	ASSY TERMINAL BLOCK	6P,25A	1	1	
11	DB31-10151C	MOTOR FAN IN	IC-9430SKC7A	1	1	
12	DB94-00040C	ASSY CROSS FAN	ASSY	1	1	
13	DB90-40135D	ASSY HOLER BEARING	ASSY	-	-	
14	PD-SH30ZC-00	ASSY MAIN PCB	ASSY	1	1	
	PD-SH30ZC-02	ASSY MAIN PCB	ASSY	1	1	
15	DB32-00027B	ASSY THERMISTER	ASSY	1	1	
16	DB61-10163A	CASE-CONTROL	ABS(V0)	1	1	
17L	DB94-20037H	ASSY BACK BODY	ASSY	-	-	DRAIN: LEFT SIDE
17R	DB94-00107A	ASSY BACK BODY	ASSY	1	1	DRAIN: RIGHT SIDE
18L	DB90-00163A	HOLER PIPE	PP	-	-	DRAIN: LEFT SIDE
18R	DB90-00434A	HOLER PIPE	PP	1	1	DRAIN: RIGHT SIDE
19	DB70-10663A	PLATE HANGER	SGCC-M	1	1	

6-2 Outdoor Unit

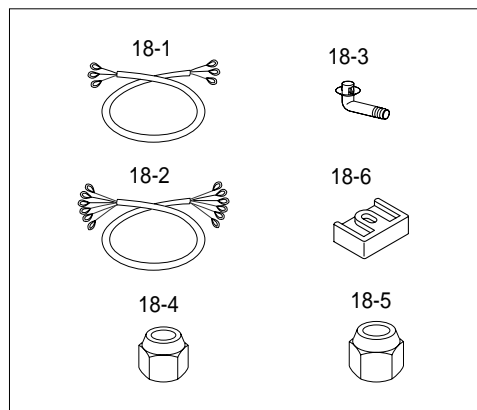
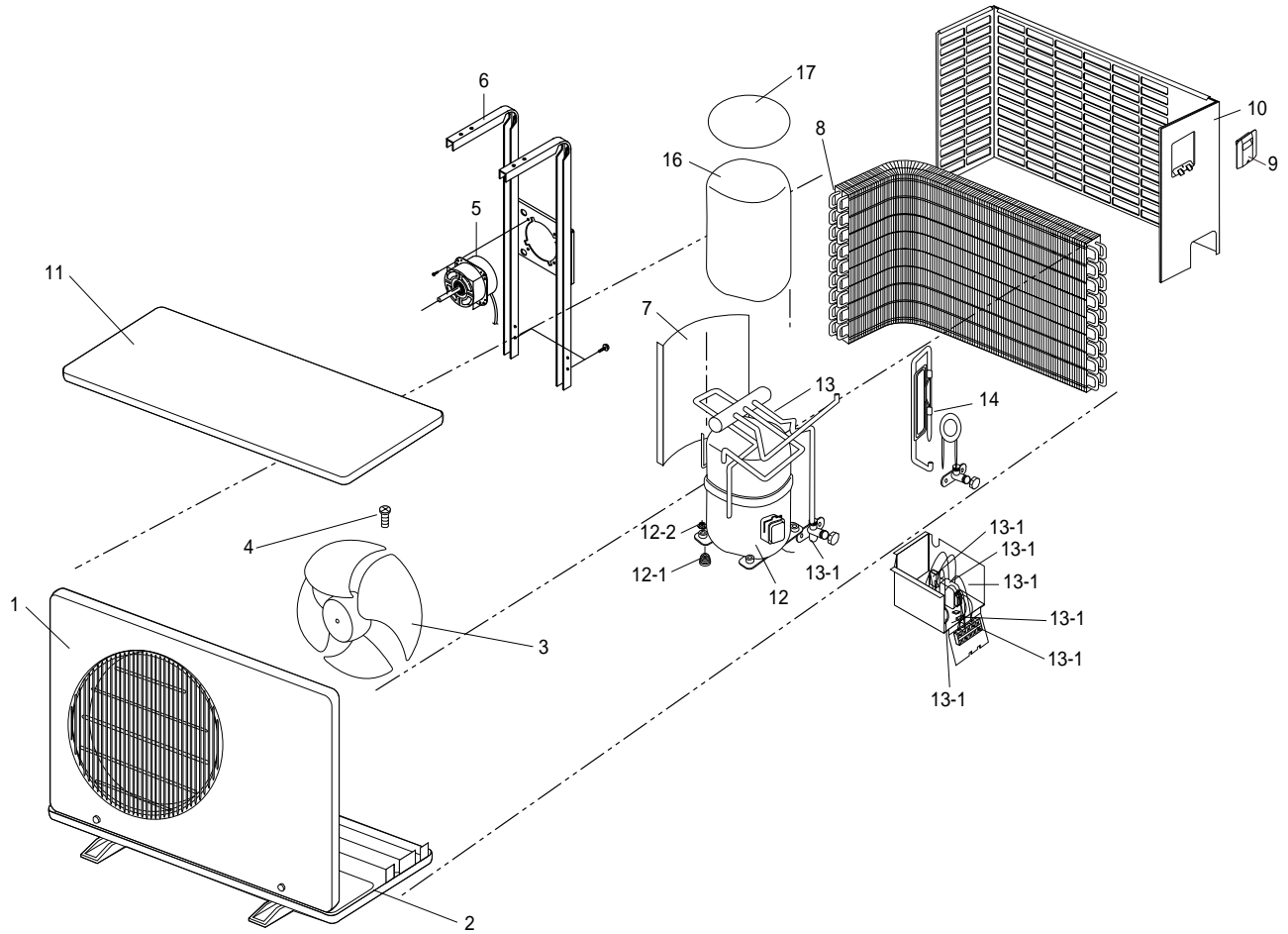
6-2-1 18K BTU



■ Parts List

No.	CODE NO	Description	Specification	Q'TY					
				UQT18*9(0)RE	UQT18C0REF	UQT18*9(0)RB	UQ18A(B)9(0)RE SH18ZA(B)9	UQ18A(B)9(0)RED SH18ZA(B)0DX	UQ18A(B)9(0)RBD
1	DB90-00033A	ASSY-FRONT CABINET	ASSY	1	-	1	1	-	-
	DB90-00653K	ASSY CABI-FRONT	ASSY	-	-	-	-	1	1
	DB90-00653L	ASSY CABI-FRONT	ASSY	-	1	-	-	-	-
2	DB90-20160C	ASSY-BASE OUT	ASSY	1	-	1	-	-	-
	DB90-20160H	ASSY-BASE OUT	ASSY	-	-	-	1	1	1
	DB90-20160G	ASSY-BASE OUT	ASSY	-	1	-	-	-	-
3	DB67-50063A	ASSY-P FAN	ASSY	1	1	1	1	1	1
4	DB60-30020A	NUT-FLANGE	M6,CCW	1	1	1	1	1	1
5	DB31-00056D	MOTOR FAN OUT	ASS-030ZTEC	-	-	1	-	-	1
	DB31-00056C	MOTOR FAN OUT	ASS-030AVEB	1	1	-	1	1	-
6	DB61-20008C	BASE-MOTOR	SGCC-M	1	1	1	1	1	1
7	DB94-50034A	ASSY PARTITION	SGCC-M	1	1	1	1	-	-
	DB94-50034D	ASSY PARTITION	SGCC-M	-	-	-	-	-	-
	DB67-00162A	PARTITION	AGCC-M	-	-	-	-	1	1
	DB67-30014A	PARTITION	AGCC-M	-	1	-	-	-	-
8	DB96-01352A	ASSY-CONDENSER	ASSY	1	1	1	1	-	-
	DB96-01524B	ASSY COND-UNIT	ASSY	-	-	-	-	1	1
9	DB90-40176B	COVER-CONTROL	ABS(V5)	1	1	1	1	1	1
10	DB64-60172A	ASSY-CABINET BACK	SC-90073T	1	1	1	1	-	-
	DB64-60172C	ASSY-CABINET BACK	SC-90073T	-	1	-	-	-	-
	DB64-60172J	CABINET BACK	SC-90073T	-	-	-	-	1	1
11	DB90-40124A	TOP-COVER	SC-90073T	1	1	1	1	-	-
	DB90-10613D	ASSY CABI-UP	SC-90073T	-	1	-	-	1	1
12	DB95-10351C	COMPRESSOR	AWG5524EXC	1	-	-	-	-	-
	DB95-10351G	COMPRESSOR	AWG5520EXN	-	-	1	-	-	-
	48B180JV1EH	COMPRESSOR	ROTARY	-	-	-	1	1	-
	48D190IU1EH	COMPRESSOR	ROTARY	-	-	-	-	-	1
	55A200JT1EM	COMPRESSOR	ROTARY	-	1	-	-	-	-
12-1	DB73-10008A	GROMMET ISOLATOR	EPDM	4	-	4	-	3	-
	DB73-10004A	GROMMET ISOLATOR	EPDM	-	-	-	3	-	-
	DB73-00082A	GROMMET ISOLATOR	NR	-	3	-	-	-	3
12-2	DB60-30028A	NUT-WASHER	M8	4	3	4	3	3	3
12-3	DB60-30018A	NUT-FLANGE	M5	-	1	-	1	1	1
12-4	DB68-10165D	COVER-TERMINAL	NORYL	-	1	-	1	1	1
13	DB99-10133A	ASSY-4WAY VALVE	ASSY	1	-	1	-	-	-
	DB99-00018A	ASSY-4WAY VALVE	ASSY	-	-	-	1	-	-
	DB99-00195A	ASSY VALVE 4WAY	ASSY	-	-	-	-	1	1
	DB90-00260A	ASSY VALVE 4WAY	ASSY	-	1	-	-	-	-
13-1	DB62-40074C	PACKED VALVE	1/2"	1	-	1	-	-	-
	DB62-00898B	VALVE SERVICE	1/2"	-	1	-	-	1	1
14	DB99-10136C	ASSY-CHECK VALVE	ASSY	1	-	-	-	-	-
	DB99-10136D	ASSY-CHECK VALVE	ASSY	-	-	1	-	-	-
	DB99-10136A	ASSY-CHECK VALVE	ASSY	-	-	-	1	-	-
	DB99-00175A	ASSY VALVE CHECK	ASSY	-	-	-	-	1	1
	DB99-00175E	ASSY VALVE CHECK	ASSY	-	1	-	-	-	-
15	DB93-00704A	ASSY-CONTROL OUT	ASSY	1	-	-	-	-	-
	DB93-00704B	ASSY-CONTROL OUT	ASSY	-	-	1	4	-	-
	DB93-00673A	ASSY-CONTROL OUT	ASSY	-	-	-	1	1	1
	DB93-01425A	ASSY-CONTROL OUT	ASSY	-	1	-	-	-	-
15-1	3501-001200	RELAY-POWER	45MA	1	-	-	-	-	-
	3501-001199	RELAY-POWER	45MA	-	-	1	-	-	-
	3501-001184	RELAY-POWER	30mS	-	-	-	1	1	1
	DB34-90054A	MAGNET S/W	41NB21ALT	-	1	-	-	-	-
15-2	2501-001237	CAPACITOR	35/450VAC	1	-	-	-	-	-
	2501-001235	CAPACITOR	25/450VAC	-	-	1	-	-	-
	2501-001238	CAPACITOR	40/450VAC	-	-	-	1	1	1
	2501-001239	CAPACITOR	45/450VAC	-	1	-	-	-	-
15-3	DB65-00040A	ASSY-TERMINAL BLOCK	ASSY	1	1	1	1	1	1
15-4	DB95-90026B	SPARK KILLER	ASSY	1	1	1	1	1	1
15-5	3601-000236	FUSE	2A,250V	1	1	1	1	1	1
15-6	2301-001370	MOTOR CAPACITOR	2.5/450VAC	1	-	1	1	1	1
	2301-001369	MOTOR CAPACITOR	3.0/450VAC	-	1	-	-	-	-
16	DB72-50622A	CLOTH SOUND	FELT	1	-	1	-	-	-
	DB72-50537A	CLOTH SOUND	FELT	-	-	-	1	1	1
OPTION	DB39-00121A	CONNECTOR POWER	3G,2.5mm ²	1	-	1	1	-	1
	DB39-20546B	CONNECT WIRE-POWER	3G, 2.5mm ²	-	1	-	-	1	-
OPTION	DB39-00171A	CONNECTOR WIRE	7G,1.00mm ²	1	-	1	1	-	1
	DB39-00171B	CONNECT WIRE-ASSY	7G, 1.00mm ²	-	1	-	-	1	-
17-3	DB67-20011A	DRAIN PLUG OUT	PP	1	1	1	1	1	1
17-4	DB63-10355C	CAP DRAIN	CR	1	1	1	1	1	1
17-5	DB60-30010A	NUT FRARE 1/4"	C3771BD	2	2	2	2	2	2
17-6	DB60-30010C	NUT FRARE 1/2"	C3771BD	2	2	2	2	2	2
17-7	DB73-20134A	RUBBER-LEG	NR	4	4	4	4	4	4

6-2-2 24K BTU

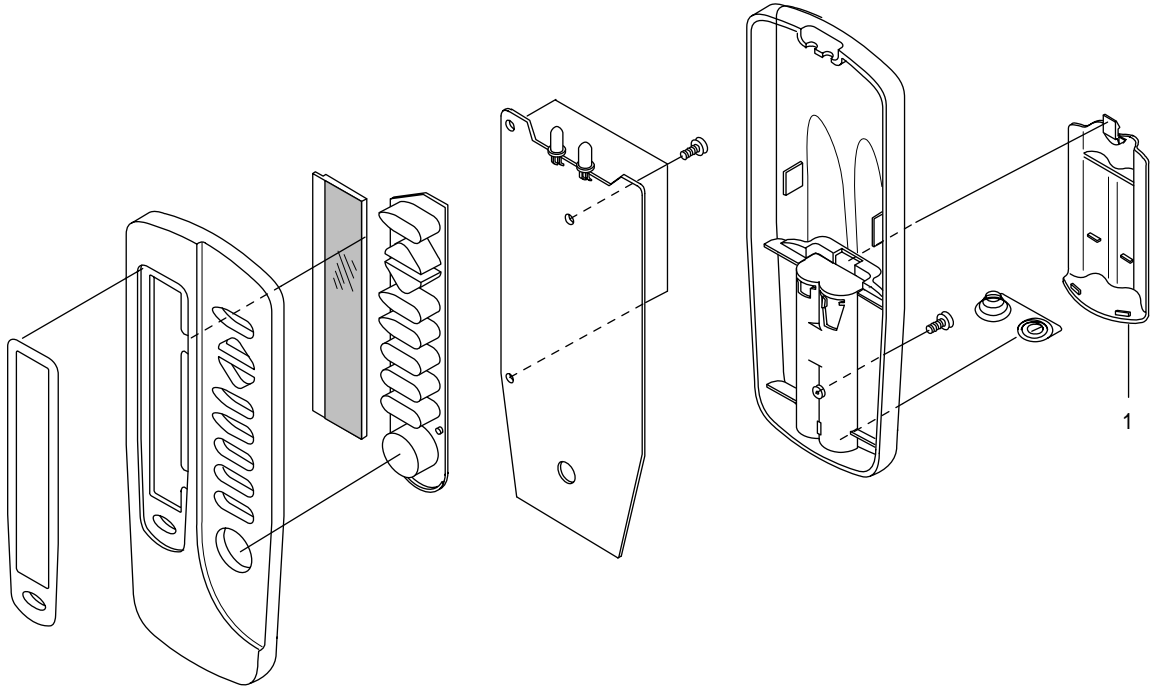


■ Parts List(24K)

No.	CODE NO	Description	Specification	Q'TY			
				UQT24*5(6)RE SH24TA(B)5	UQT24*5(6)RB	UQT24A(B)5(6)RED SH24TA6DX	UQT24A(B)5(6)RBD
1	DB90-10634A	ASS'Y WELD FRONT	SC-90073T	1	1	-	-
	DB90-00652P	ASS'Y CABI-FRONT	SC-90073T	-	-	1	1
2	DB90-20210A	ASS'Y-BASE OUT	SC-90073T	1	1	-	-
	DB90-20210P	ASS'Y BASE OUT	SC-90073T	-	-	1	-
	DB90-20210M	ASS'Y BASE OUT	SC-90073T	-	-	-	1
3	DB67-50074A	ASS'Y-FAN	AS+G/F20%	1	1	1	1
4	DB60-20020A	BOLT SPECIAL	M8 L25	1	1	-	1
5	DB31-00027E	MOTOR FAN OUT	OSME-906SRC	1	-	1	-
	DB31-00027F	MOTER FAN OUT	OSM-906SRC	-	1	-	1
6	DB95-20147A	ASS'Y-MOTOR B/K	SGCC-M	1	1	1	1
7	DB94-50039C	PARTITION	SGCC-M	1	1	-	-
	DB94-00080A	ASS'Y PARTITION	SGCC-M	-	-	1	-
	DB94-50039F	ASS'Y PARTITION	SGCC-M	-	-	-	1
8	DB75-30102F	ASS'Y-CONDENSER	ASS'Y	1	1	-	-
	DB96-01526B	ASSY COND-UNIT	ASS'Y	-	-	1	-
	DB75-30102E	ASSY COND-UNIT	ASS'Y	-	-	-	1
9	DB90-40176B	COVER-CONTROL	ABS(V5)	1	1	1	1
10	DB64-60160C	CABI SIDE OUT	SC-90073T	1	1	-	1
	DB64-60160E	CABINET-SIDE	SC-90073T	-	-	1	-
11	DB90-10616D	TOP COVER	SC-90073T	1	1	1	1
12	DB95-10351A	COMPRESSOR	AWG5532EXC	1	-	1	-
	DB95-10351E	COMPRESSOR	AWG5528EXN	-	1	-	-
	55A240IU2EM	COMPRESSOR	-	-	-	-	1
12-1	DB73-10004A	GROMMET ISOLATOR	EPDM	4	4	-	-
	DB73-10008A	GROMMET-MOUNT	EPDM	-	-	4	-
	DB73-00082A	GROMMET-MOUNT	NR	-	-	-	3
12-2	DB60-00028A	NUT WASHER	M8	4	4	-	-
	DB60-30028A	NUT-WASHER	M8	-	-	4	3
13	DB99-10135A	ASS'Y-4WAY V/V	ASS'Y	1	1	-	-
	DB99-00167A	ASS'Y VALVE 4WAY	ASS'Y	-	-	1	-
	DB99-00232A	ASS'Y VALVE 4WAY	ASS'Y	-	-	-	1
13-1	DB62-40055F	PACKED V/V5/8"	20LT/MIN	1	1	-	-
	DB62-00899B	VALVE SERVICE 5/8"	20LT/MIN	-	-	1	1
14	DB99-10138C	ASS'Y-CHECK V/V	ASS'Y	1	-	-	-
	DB99-10138B	ASS'Y-CHECK V/V	ASS'Y	-	1	-	1
	DB99-00166A	ASS'Y VALVE CHECK	ASS'Y	-	-	1	-
15	DB93-00679A	ASS'Y CONTROL OUT	ASS'Y	1	-	1	-
	DB93-00679B	ASS'Y CONTROL OUT	ASS'Y	-	1	-	-
	DB93-01175A	ASS'Y CONTROL OUT	ASS'Y	-	-	-	1
15-1	3501-001200	SWITCH MAGNET	7-22MS	1	-	-	1
	3501-001199	SWITCH MAGNET	41NB21AG	-	1	-	-
15-2	2501-001239	CAPACITOR	45µF x 450VAC	1	-	-	-
	2501-001237	CAPACITOR	35µF x 450VAC	1	-	-	-
	2501-001238	CAPACITOR	40µF x 450VAC	-	-	-	1
15-3	DB65-00040A	TERMINAL BLOCK	7P	1	1	1	1
15-4	DB95-90026B	SPARK KILLER	-	1	1	1	1
15-5	3601-000236	FUSE	2A,250V	1	1	1	1
15-6	2301-001379	C-FILM, MPE-PPF	4µFx 450VAC	1	1	1	1
16	DB72-50622A	CLOTH SOUND COMP	FELT	1	1	1	-
	DB72-00703A	CLOTH SOUND COMP	FELT	-	-	-	1
17	DB72-50614A	CLOTH SOUND UP	FELT	1	1	1	-
	DB72-00702A	CLOTH SOUND UP	FELT	-	-	-	1
OPTION 18-1	DB39-00121A	CONNECTOR POWER	3G, 2.5mm ²	1	1	-	1
	DB39-20546B	CONNECT WIRE-POWER	3G, 2.5mm ²	-	-	1	-
OPTION 18-2	DB39-00171A	CONNECTOR WIRE	7G, 1.0mm ²	1	1	-	1
	DB39-00171B	CONNECT WIRE-ASSY	7G, 1.0mm ²	-	-	1	-
18-3	DB67-20011A	DRAIN PLUG OUT	PP	1	1	1	1
18-4	DB60-30010A	NUT FLANGE 1/4"	C3771BD	2	2	2	2
18-5	DB60-30010D	NUT FLANGE 5/8"	C3771BD	2	2	2	2
18-6	DB73-20134A	RUBBER-LEG	NR	4	4	4	4

6-3 Remote Control & PCB Box

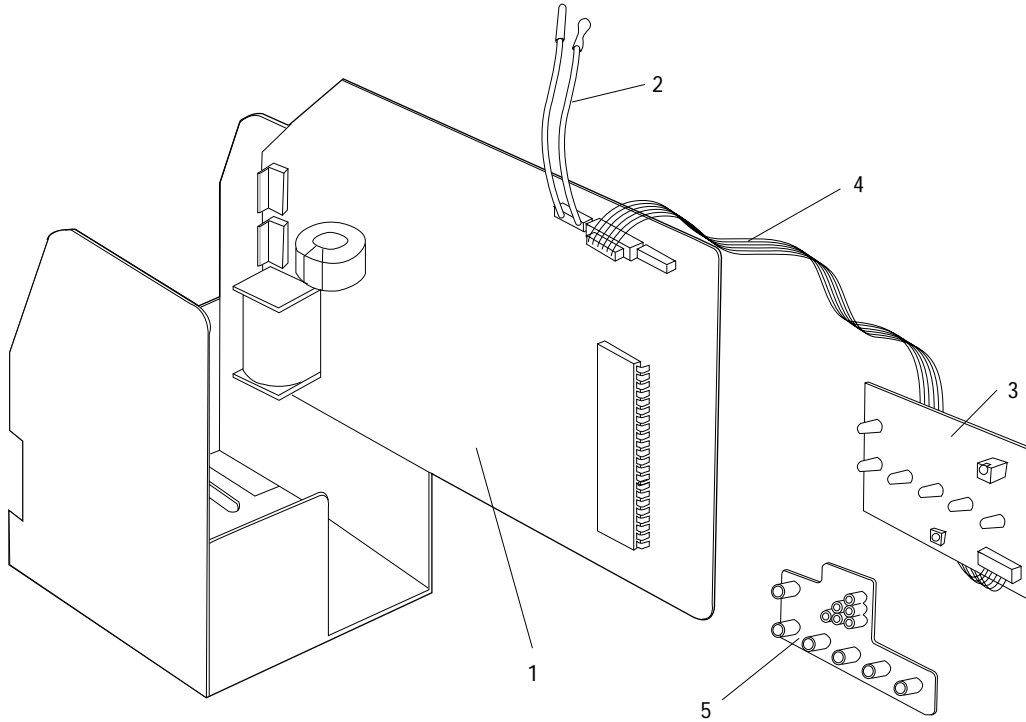
6-3-1 Remote Control



■ Parts List

No	Description	Specification	Q'TY	Remark
1	ASS'Y PCB REMOCON	DB93-00251L	1	
	BATTERY COVER		1	
C	ASS'Y PCB REMOCON	DB93-00861L	1	

6-3-2 PCB Box



■ Parts List

No	CODE NO	Description	Specification	Q'TY	Remark
1	PD-SH30ZC-00	ASS'Y MAIN PCB	PD-SH30ZC-00	1	
	PD-SH30ZC-02	ASS'Y MAIN PCB	PD-SH30ZC-02	1	
2	DB32-00027B	ASS'Y THERMISTOR	103AT 240/240	1	
3	DB93-00311C	ASS'Y PCB DISPLAY	ASS'Y	1	
4	DB39-00172A	CONNECTOR WIRE DISPLAY	AWG#26	1	
5	DB63-00115A	COVER DISPLAY UP	ABS, BLK	1	

MEMO