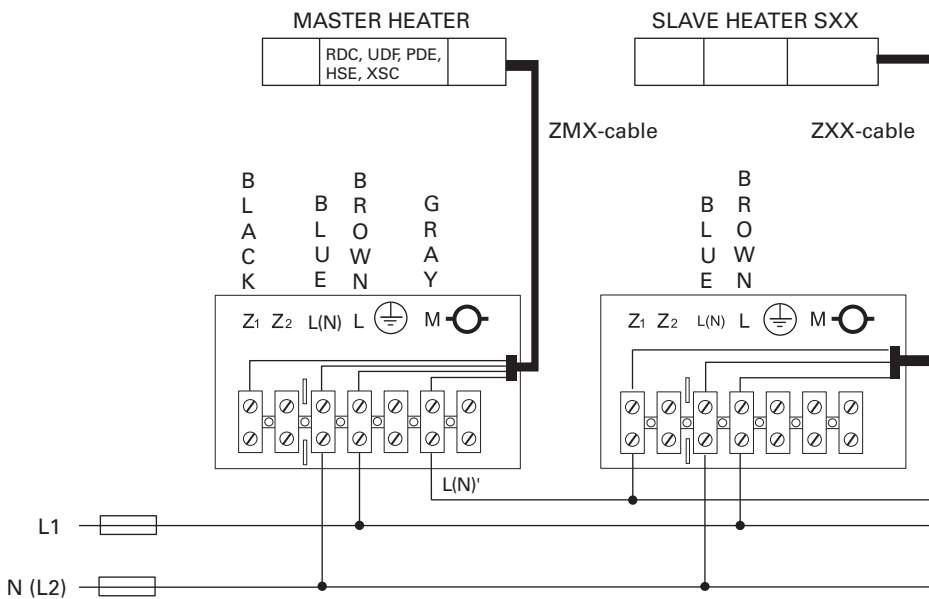


230V HEATERS (400V HEATERS)

MASTER HEATER (N) CONTROLLING SLAVE HEATER SXX



From the master heater the L(N)-phase is connected to the slave heater via the "M" output - L(N)'. The "M" output from the master is connected to the Z1-input on the slave and works as a control signal for the triac in the slave heater.

NOTE! On the slave(s), the phases connected to L and Z1 must be different.

The phase connected to L on master and slave(s) must be the same.

The drawings are only valid for master heaters in normal construction (N).

ie. Third character in type description must be "N" (C4N).