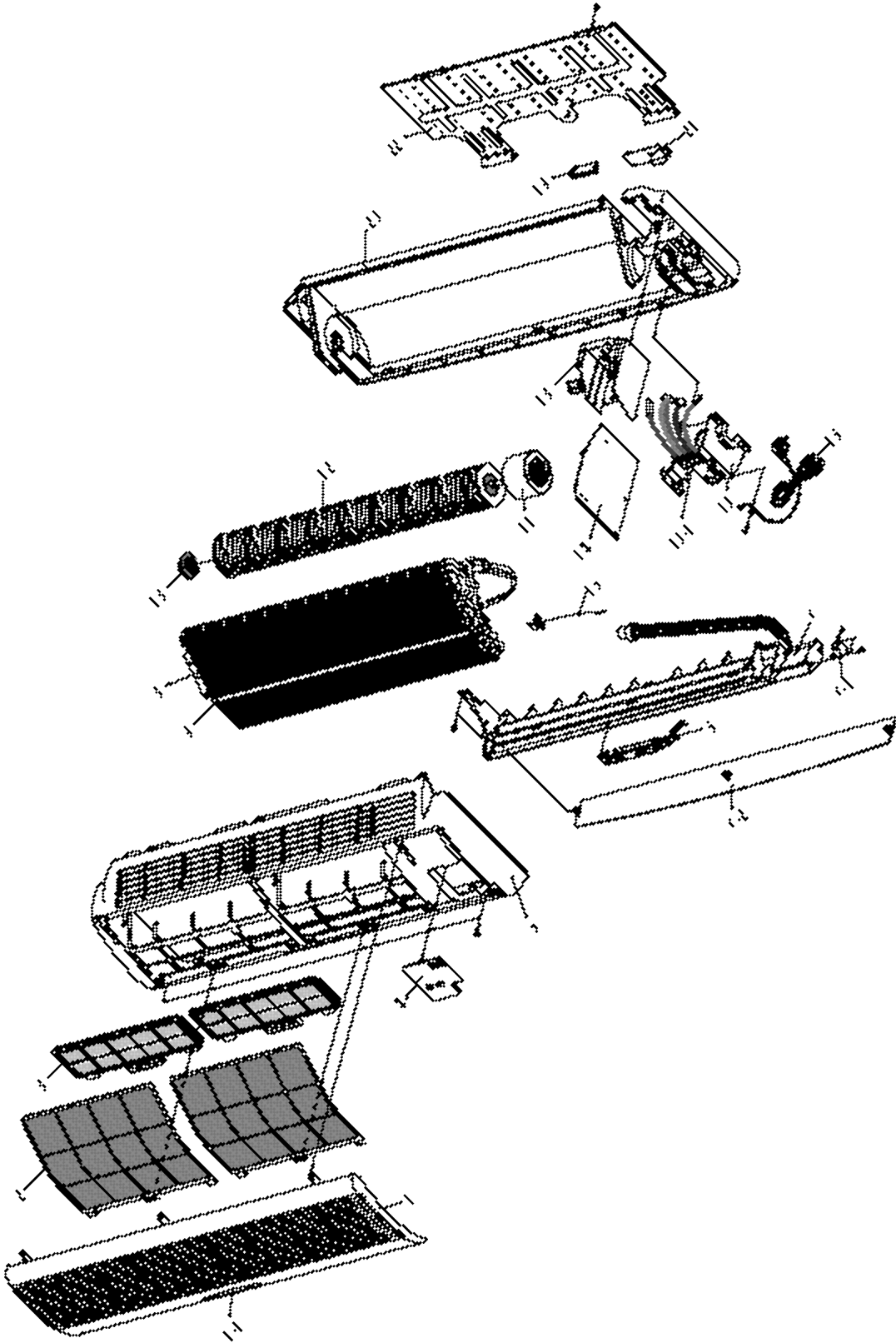

6. Exploded Views and Parts List

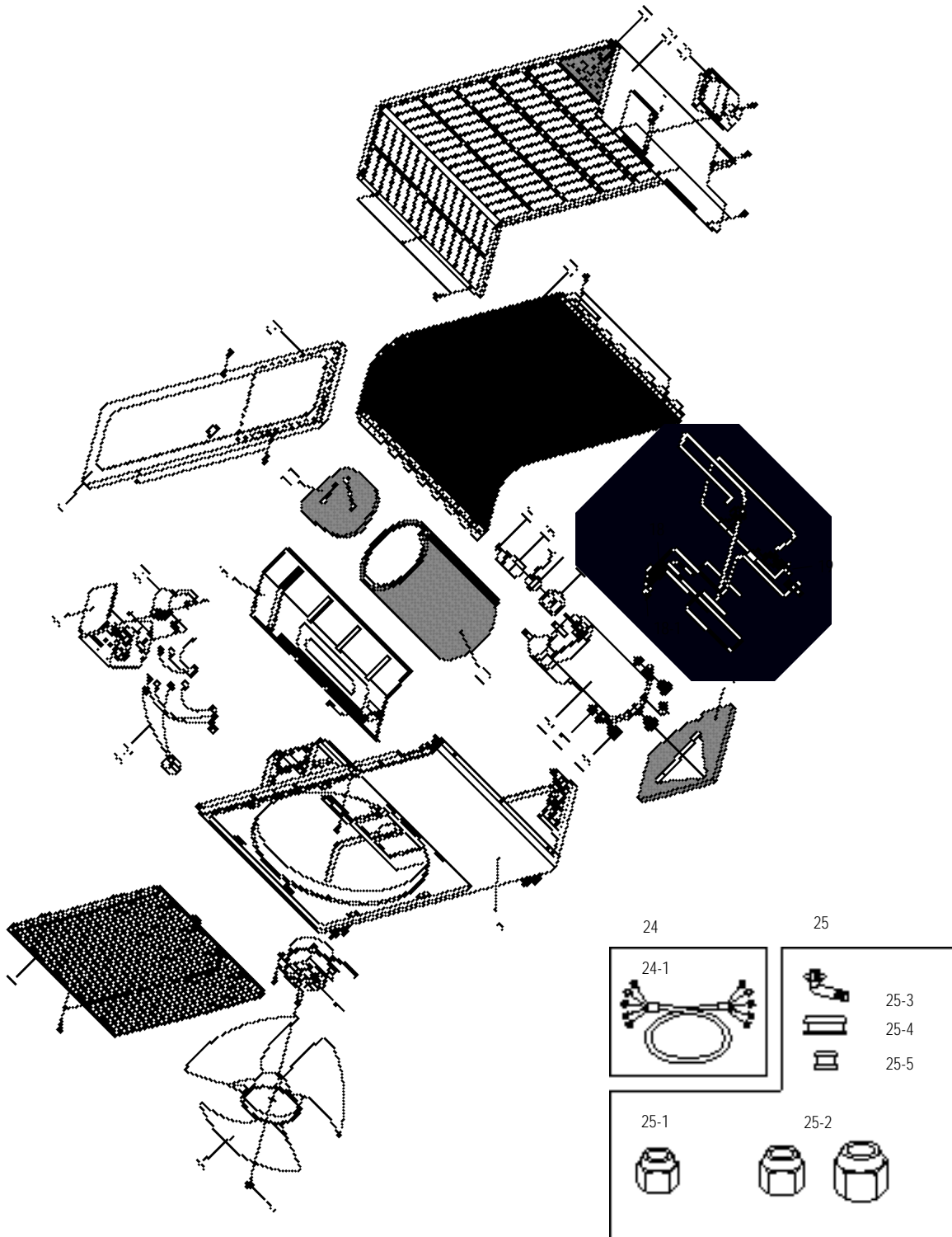
6-1 Indoor Unit



■ Parts List

No.	CODE NO	Description	Specification	Q'TY					Remark
				AQ07A1VE	AQ09A1VE	AQ09A1VB	AQ12A1VE	AQ12A1VB	
1	DB64-10140A	GRILLE AIR INLET	ABS	1	1	1	1	1	
	DB64-10143A	"	ABS	-	-	-	-	-	
1-1	DB64-70073A	PANEL CENTER DISPLAY	PC	1	1	1	1	1	
	DB64-70106A	"	PC	-	-	-	-	-	
2	DB63-30131A	GUARD AIR FILTER	PP	2	2	2	2	2	
3	DB74-10091A	ASS'Y FILTER	CLEANER/CARBON	-	-	-	-	-	
4	DB63-10427B	COVER TERMINAL	HIPS	1	1	1	1	1	
5	DB92-70075E	ASS'Y FRONT PANEL	ASS'Y	1	1	1	1	1	
	DB92-70081A	"	ASS'Y	-	-	-	-	-	
6	DB93-10560A	ASS'Y PCB DISPLAY	ASS'Y	1	1	1	1	1	⚠
7	DB94-10088A	ASS'Y TRAY DRAIN	ASS'Y	1	1	1	1	1	
7-1	DB95-20138A	ASS'Y STEP MOTOR U/D	DC12V.600GR	1	1	1	1	1	⚠
7-2	DB66-30153A	BLADE-H	HIPS	1	1	1	1	1	
8	DB75-40072A	ASS'Y EVAP	ASS'Y	-	-	-	1	-	
	DB75-40074A	"	ASS'Y	-	1	-	-	-	
	DB75-40094A	"	ASS'Y	-	-	1	-	-	
	DB75-40076A	"	ASS'Y	1	-	-	-	-	
	DB75-40093A	"	ASS'Y	-	-	-	-	1	
9	DB67-30058C	SPACER EVAP	PVC	1	1	1	1	1	
10	DB61-40250C	ASS'Y HOLDER MOTOR	ASS'Y	1	1	1	1	1	
10-1	DB65-40052A	ASS'Y TERMINAL BLOCK	ASS'Y	1	1	1	1	1	
11	DB31-10078H	MOTOR FAN IN	AMPFS040WTVB	1	1	1	1	1	⚠
12	DB94-30141A	ASS'Y-C-F-FAN	Ø95 619.4mm	1	1	1	1	1	
13	DB94-40017A	ASS'Y BEARING	ASS'Y	1	1	1	1	1	
14	DB93-10471A	ASS'Y MAIN PCB	ASS'Y	-	-	-	1	-	⚠
	DB93-10485A	"	ASS'Y	-	1	-	-	-	⚠
	DB93-10483A	"	ASS'Y	1	-	-	-	-	⚠
	DB93-10609A	"	ASS'Y	-	-	-	-	1	⚠
	DB93-10610A	"	ASS'Y	-	-	1	-	-	⚠
15	DB32-10008D	ASS'Y-THERMISTOR	ASS'Y	1	1	1	1	1	
16	DB39-10062V	ASS'Y POWER CORD	UCP2	1	1	1	1	1	⚠
18	DB61-10151A	CASE CONTROL	ABS	1	1	1	1	1	
19	DB61-60093A	BODY-BUSH	HIPS	1	1	1	1	1	⚠
20	DB94-20030C	ASS'Y BACK BODY	ASS'Y	1	1	1	1	1	
21	DB61-40247A	HOLDER PIPE	HIPS	1	1	1	1	1	
22	DB70-10618A	PLATE HANGER	SGCC-M	1	1	1	1	1	

6-2 Outdoor Unit

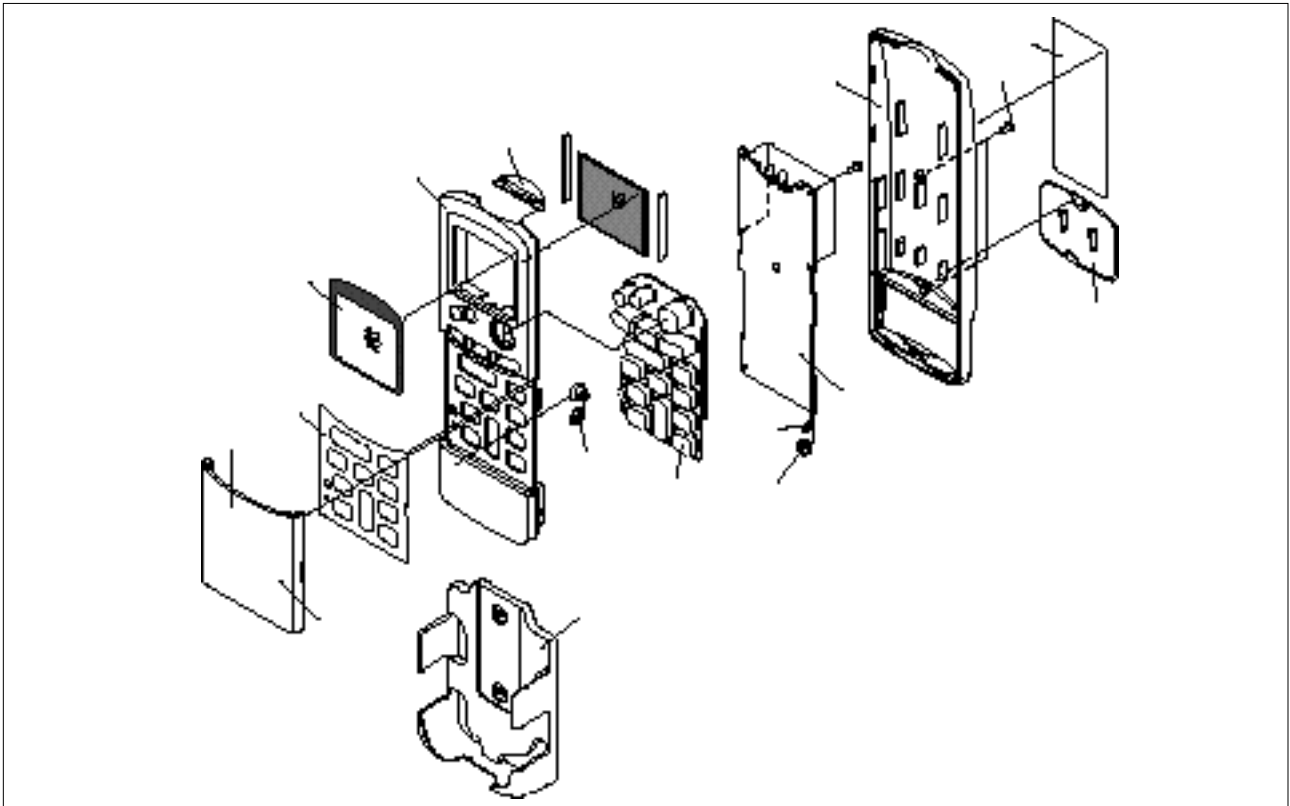


■ Parts List

No.	CODE NO	Description	Specification	Q'TY					Remark
				UQ07A1VE	UQ09A1VE	UQ09A1VB	UQ12A1VE	UQ12A1VB	
1	DB63-30004A	GUARD FAN	ABS	1	1	-	1	-	
	DB63-30004B	GUARD FAN	ABS	1	1	1	1	1	
2	DB60-30004A	NUT FLANGE	2C.SM20C M6 NTR	1	1	1	1	1	
3	DB67-50063A	PROPELLER-FAN	AS+G/F Ø405	1	1	1	1	1	
4	DB31-10058C	MOTOR FAN OUT	AMASS020WTVA	-	-	-	1	1	△
	DB31-10140B	MOTOR FAN OUT	AMASS015WTVA	1	1	1	-	-	△
5	DB90-50009M	ASS'Y FRAME	ASS'Y	-	-	-	1	1	
	DB90-50009N	ASS'Y FRAME	ASS'Y	1	1	1	-	-	
6	DB94-50032C	ASS'Y PARTITION	ASS'Y	-	-	-	1	1	
	DB94-50032D	ASS'Y PARTITION	ASS'Y	1	1	1	-	-	
7	DB64-60138A	CABINET UPPER	SECC-P	1	1	1	1	1	
7-1	DB72-50560B	INSU CABI UPPER	FOAM-PE+FOAM-PU	1	1	1	1	1	
8	DB91-20074A	ASS'Y-E PARTS	ASS'Y	-	-	-	1	-	
	DB91-20074C	ASS'Y-E PARTS	ASS'Y	-	1	-	-	-	
	DB91-20074E	ASS'Y-E PARTS	ASS'Y	1	-	-	-	-	
	DB91-20095B	ASS'Y-E PARTS	ASS'Y	-	-	1	-	-	
	DB91-20095A	ASS'Y-E PARTS	ASS'Y	-	-	-	-	1	
8-1	2501-001100	CAPACITOR	0.9/30µF 450VAC	-	-	-	1	-	△
	2501-001122	CAPACITOR	1.5/30µF 450VAC	-	1	-	-	-	△
	2501-001099	CAPACITOR	1.5/25µF 450VAC	1	-	-	-	1	△
	2501-001147	CAPACITOR	1.7/30µF 450VAC	-	-	-	-	-	△
	2501-001146	CAPACITOR	1.7/20µF 450VAC	-	-	1	-	-	△
8-2	DB65-40049A	TERMINAL BLOCK	4P	1	1	1	1	1	
8-3	DB27-10031A	ASS'Y SOLENOID COIL	ASS'Y	1	1	1	1	1	
8-4	DB39-20376A	COMP & MOTOR WIRE	ASS'Y	1	1	1	1	1	
8-5	DB47-20001Z	O.L.P.	MRA12030-12008	-	-	-	1	1	△
	DB47-20002B	O.L.P.	MST24AMN-12008	1	-	-	-	-	△
	DB47-20001Y	O.L.P.	MRA12037-12007	-	1	-	-	-	△
	DB47-20002A	O.L.P.	MRA12032-12008	-	-	1	-	-	△
	DB47-20001G	O.L.P.	MRA12002-9200	-	-	-	-	-	△
8-6	DB67-60020A	O.L.P SPRING	STS304	1	1	1	1	1	
9	DB72-50566A	CLOTH COMP BOTTOM	FELT	-	-	-	1	1	
	DB72-50558A	CLOTH COMP BOTTOM	RUB+FELT	1	1	1	-	1	
10	DB72-50563A	CLOTH COMP SIDE	FELT	-	-	-	1	-	
	DB72-50516B	CLOTH COMP SIDE	FELT	1	-	-	-	1	
	DB72-50516A	CLOTH COMP SIDE	FELT	-	1	1	-	-	
11	DB72-50567A	CLOTH COMP UPPER	FELT	1	1	1	1	-	
12	DB95-10062X	COMPRESSOR	48H124JV1E4	-	-	-	-	1	△
	DB95-10065P	COMPRESSOR	44H070JW1E2	1	-	-	-	1	△
	DB95-10065M	COMPRESSOR	44H092JW1E4	-	1	-	-	-	△
	DB95-10063D	COMPRESSOR	48H135IV1E5	-	-	1	-	-	△
	DB95-10065X	COMPRESSOR	44H092IV1E6	-	-	-	-	-	△
13	DB73-10004A	GROMMET-ISOLATOR	EPDM	3	3	3	3	1	
14	DB60-30028A	NUT-WASHER	HEX 2C MB ZPC	3	3	3	3	-	
15	DB63-20002A	GASKET	EPDM	1	1	1	1	3	
16	DB63-10165B	COVER TERMINAL	NOTYL	1	1	1	1	3	
17	DB60-30018A	NUT-FLANGE	M5.SM20C	1	1	1	1	1	
18	DB99-10059B	ASS'Y 4 WAY VALVE	ASS'Y	-	-	-	1	1	
	DB99-10068B	ASS'Y 4 WAY VALVE	ASS'Y	-	1	1	-	1	
	DB99-10094A	ASS'Y 4 WAY VALVE	ASS'Y	1	-	-	-	1	
18-1	DB62-40035A	4-WAY VALVE	25kg/cm ² .G	1	1	1	1	-	
19	DB99-10076B	ASS'Y CHECK VALVE	ASS'Y	-	-	-	1	-	
	DB99-10077B	ASS'Y CHECK VALVE	ASS'Y	-	1	-	-	1	
	DB99-10095A	ASS'Y CHECK VALVE	ASS'Y	1	-	-	-	-	
	DB99-10099D	ASS'Y-CHECK VALVE	ASS'Y	-	-	1	-	-	
	DB99-10076C	ASS'Y-CHECK VALVE	ASS'Y	-	-	-	-	-	
20	DB96-30260A	ASS'Y COND	ASS'Y(F.P=1.5)	-	-	-	1	1	
	DB75-30085A	ASS'Y COND	ASS'Y(F.P=1.3)	-	1	1	-	1	
	DB75-30063A	ASS'Y COND	ASS'Y(F.P=1.5)	1	-	-	-	-	
21	DB72-50563A	INSU CABI SIDE	FOAMPE+FOAM PU	1	1	1	1	-	
22	DB90-10024D	ASS'Y CABI SIDE	SECC-P	1	1	1	1	1	
23	DB63-10443A	ASS'Y COVER E PARTS	ASS'Y	1	1	1	1	1	
24	DB93-60086A	ASS'Y CABLE BOX	RUBBER	1	1	1	1	1	
	DB93-60086B	ASS'Y CABLE BOX	VINYL	-	-	-	-	1	
25	DB99-90033C	ASS'Y FLARE NUT	1/4" & 1/2"	-	-	-	1	-	
	DB99-90033D	ASS'Y FLARE NUT	1/4" & 3/8"	1	1	1	-	1	
25-1	DB60-30010A	FLARE NUT	1/4"	2	2	2	2	-	
25-2	DB60-30010B	FLARE NUT	3/8"	2	2	2	-	2	
	DB60-30010C	FLARE NUT	1/2"	-	-	-	2	-	
25-3	DB67-20008A	DRAIN PLUG	ABS	1	1	1	1	1	
25-4	DB63-10354A	CAP DRAIN	CR	1	1	1	1	1	
25-5	DB63-10355A	CAP DRAIN	CR	1	1	1	1	1	

6-3 Remote Control & PCB Box

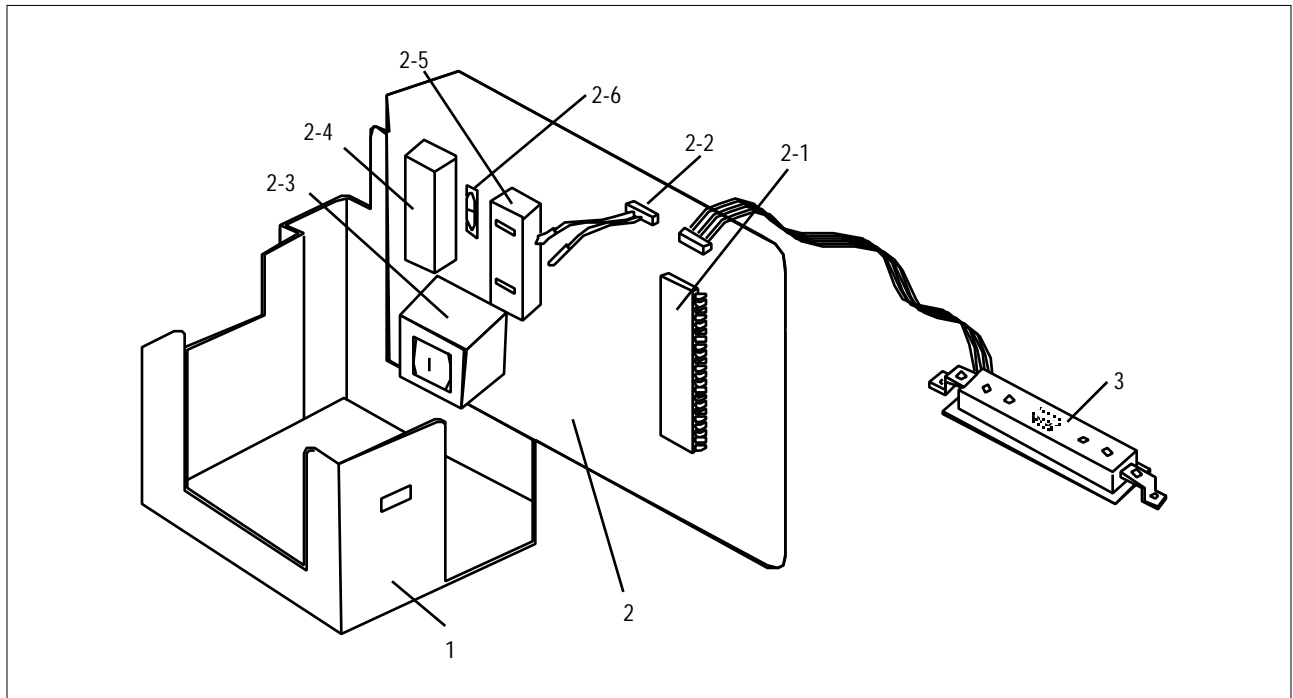
6-3-1 Remote Control



■ Parts List

No	CODE NO	Description	Specification	Q'TY	Remark
1	DB93-30052C	ASS'Y CODE			
2	DB61-10144A	CASE UP	ABS	1	
3	DB61-10145A	CASE LOW	ABS	1	
4	DB64-20054A	DOOR REMOCON	ABS	1	
5	DB63-10477A	COVER BATTERY	ABS	1	
6	DB74-10084A	FILTER REMOCON	PC	1	
7	DB73-20110B	RUBBER REMOCON	SILICON	1	
8	DB64-40167A	INLAY LCD	PC	1	
9	DB64-40166B	INLAY REMOCON	PC	1	
10	DB68-10789A	LABEL REMOCON	ART 90	1	
11	DB68-10790A	LABEL DOOR	ART 90	1	
12	PH-M2	SCREW TAP	PH-M2	6	
13	DB67-60061A	SPRING BATTERY	SUS 304	1	
14	DB67-60062A	SPRING BATTERY	SUS 304	1	
15	DB67-60063A	SPRING BATTERY	SUS 304	1	
16	90 x 250	PE BAG	90 X 250	1	
17	DB93-40179C	ASS'Y PCB REMOCON		1	
18	DB61-40243A	HOLDER REMOCON	ABS	1	

6-3-2 PCB Box



■ Parts List

No	CODE NO	Description	Specification	Q'TY					Remark
				AQ07A1VE	AQ09A1VE	AQ12A1VE	AQ09A1VB	AQ12A1VB	
1	DB61-10136A	Case-control		1	1	1	1	1	
2	DB93-10483A	Ass'y MAIN PCB	-	1	-	-	-	-	
	DB93-10485A	Ass'y MAIN PCB	-	-	1	-	-	-	
	DB93-10471A	Ass'y MAIN PCB	-	-	-	1	-	-	
	DB93-10609A	ASS'Y MAIN PCB	-	-	-	-	-	1	
	DB93-10610A	ASS'Y MAIN PCB	-	-	-	-	1	-	
2-1	DB09-10149A	Micom	MB89635R-466	1	1	1	1	1	
2-2	DB32-10008D	Thermistor-EVAP	103AT 240/240	1	1	1	1	1	
2-3	DE26-20154A	Trans-power	AC230V DC17V 300mA	1	1	1	1	1	
2-4	2306-000294	C-film	CFS 99N 450VAC 155K	1	1	1	1	1	
2-5	3501-001058	Power-relay	DI1U DC12V	1	1	1	1	1	
2-6	DE32-10037A	Fuse	250V 3.15A	1	1	1	1	1	
3	DB93-10560A	Ass'y-display and Remocon Module	EDGE	1	1	1	1	1	

MEMO