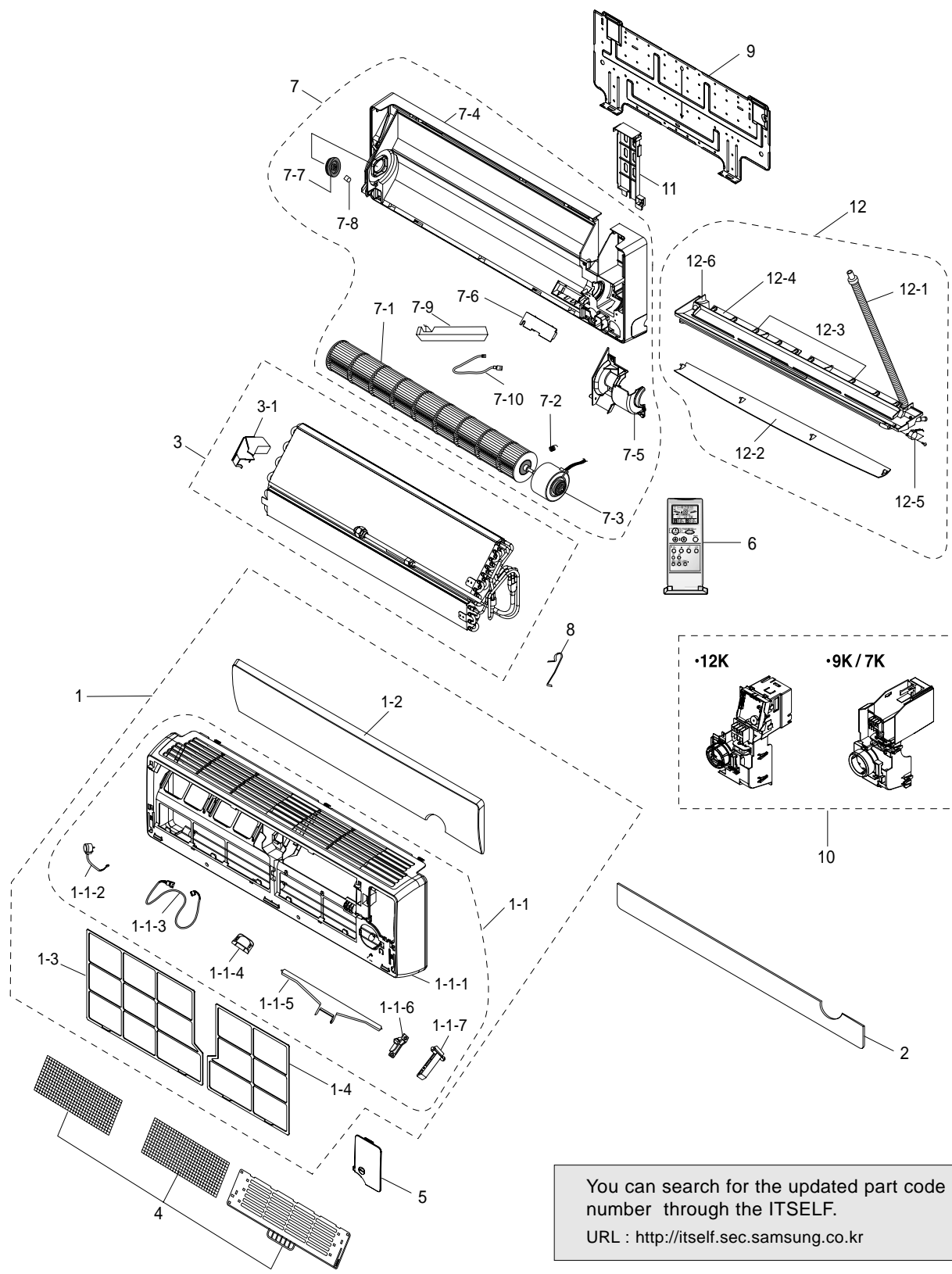


4. Exploded Views and Parts List

4-1 Indoor Unit

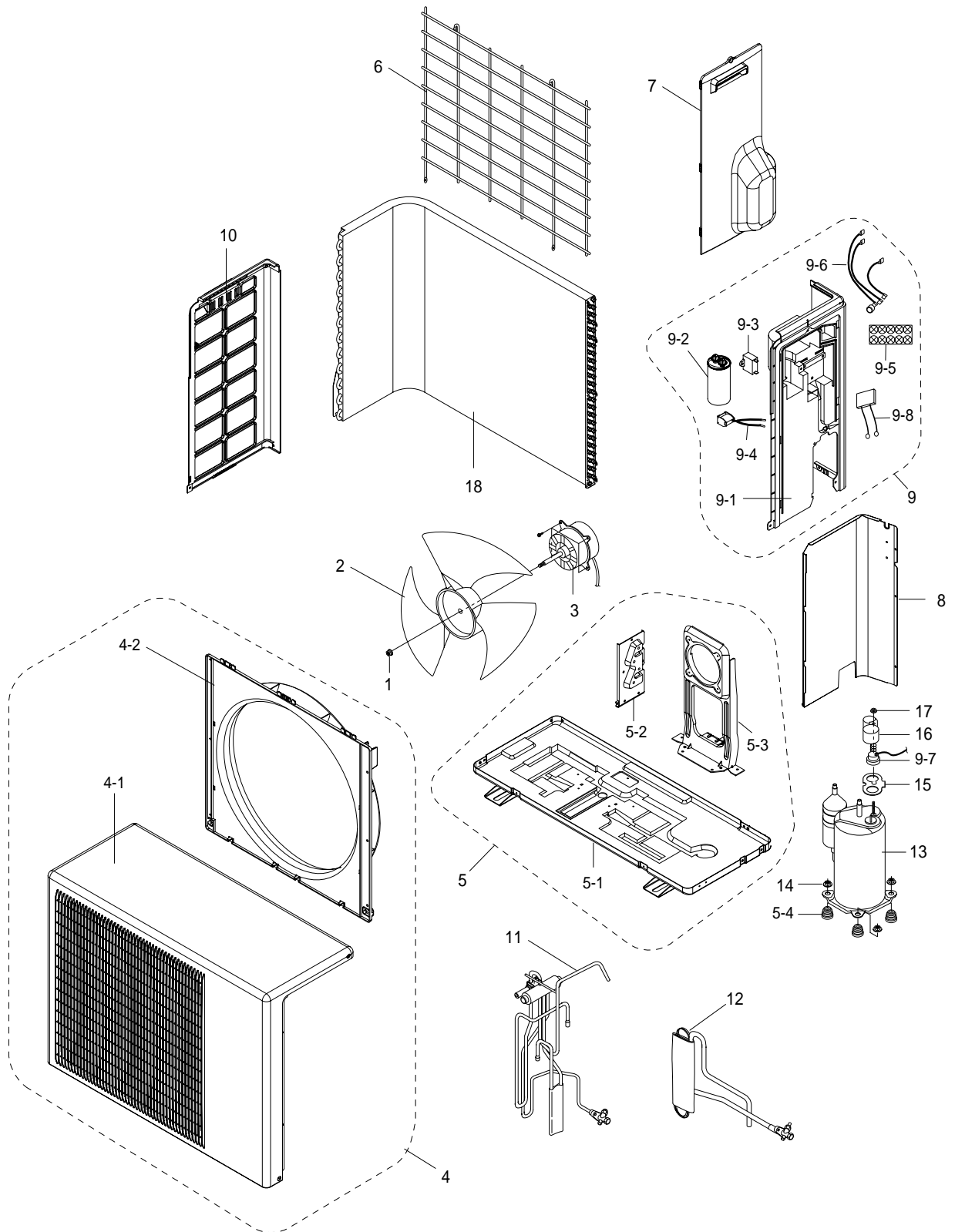


You can search for the updated part code number through the ITSELF.
 URL : <http://itself.sec.samsung.co.kr>

■ Indoor Unit Parts List

No.	Code No.	Description	Specification	Q'TY			Remark
				AQ12PGGE SH12ZPG(A)	SH09ZPG(A)	SH07ZPG(A)	
1	DB92-00383A	ASSY PANEL FRONT TOTAL	ASSY	1	-	-	
	DB92-00414A	ASSY PANEL FRONT TOTAL	ASSY	-	1	1	
1-1	DB92-00392A	ASSY PANEL FRONT SUB	ASSY	1	-	-	
	DB92-00415A	ASSY PANEL FRONT SUB	ASSY	-	1	1	
1-1-1	DB92-00346A	ASSY PANEL FRONT	ASSY	1	-	-	
	DB92-00356A	ASSY PANEL FRONT	ASSY	-	1	1	
1-1-2	DB31-00166A	MOTOR STEPPING	-	1	1	1	
1-1-3	DB39-00780A	CONNECT WIRE-STEP MOTOR	-	1	-	-	
	DB39-00780D	CONNECT WIRE-STEP MOTOR	-	-	1	1	
1-1-4	DB61-01114A	HOLDER MOTOR DC	HIPS	1	-	-	
	DB61-01123A	HOLDER MOTOR DC	HIPS	-	1	1	
1-1-5	DB61-01115A	HINGE GRILLE	HIPS	1	-	-	
	DB61-01132A	HINGE GRILLE	HIPS	-	1	1	
1-1-6	DB61-01116A	GUIDE LINK	HIPS	1	-	-	
	DB61-01133A	GUIDE LINK	HIPS	-	1	1	
1-1-7	DB66-00364A	LINK MOTOR	ABS	1	-	-	
	DB66-00365A	LINK MOTOR	ABS	-	1	1	
1-2	DB64-00640A	GRILLE UP	ABS	1	-	-	
	DB64-00655A	GRILLE UP	ABS	-	1	1	
1-3	DB63-00585A	FILTER-AIR LF	PP	1	-	-	
	DB63-00590A	FILTER-AIR LF	PP	-	1	1	
1-4	DB63-00586A	FILTER-AIR RH	PP	1	-	-	
	DB63-00591A	FILTER-AIR RH	PP	-	1	1	
2	DB92-00388A	ASSY GRILLE LOW SUB	ASSY	1	-	-	
	DB92-00416C	ASSY GRILLE LOW SUB	ASSY	-	1	1	
3	DB96-02092B	ASSY EVAPORATOR	ASSY	1	-	-	
	DB96-02145A	ASSY EVAPORATOR	ASSY	-	1	1	
3-1	DB63-00667A	COVER DRAIN	PP	1	-	-	
	DB63-00716A	COVER DRAIN	PP	-	1	1	
4	DB95-00367C	ASSY FILTER BIO	ASSY	1	1	1	
5	DB63-00581A	COVER TERMINAL	HIPS	1	-	-	
	DB63-00588A	COVER TERMINAL	HIPS	-	1	1	
6	DB93-01452G	ASSY REMOCON	ASSY	1	1	1	
7	DB94-00256B	ASSY BACK BODY TOTAL	ASSY	1	-	-	
	DB94-00268B	ASSY BACK BODY TOTAL	ASSY	-	1	1	
7-1	DB94-00040R	ASSY CROSS FAN	ASSY	1	-	-	
	DB94-00040F	ASSY CROSS FAN	ASSY	-	1	1	
7-2	DB60-20011A	BOLT SPECIAL	-	1	1	1	
7-3	DB31-00152B	MOTOR-FAN IN	-	1	-	-	
	DB31-00152A	MOTOR-FAN IN	-	-	1	1	
7-4	DB94-00261B	ASSY BACK BODY SUB	ASSY	1	-	-	
	DB94-00269B	ASSY BACK BODY SUB	ASSY	-	1	1	
7-5	DB61-01099A	HOLDER-MOTOR	PP	1	-	-	
	DB61-01120A	HOLDER-MOTOR	PP	-	1	1	
7-6	DB63-00580A	COVER-IONIZER	HIPS	1	1	1	
7-7	DB73-00128A	BEARING MOLD	-	1	1	1	
7-8	DB94-40007A	BEARING	-	1	1	1	
7-9	DB93-01629A	ASSY IONIZER	ASSY	1	1	1	
7-10	DB93-01383D	ASSY CONNECTOR WIRE ION	-	1	-	-	
	DB93-01451A	ASSY CONNECTOR WIRE ION	-	-	1	1	
8	DB67-60030A	SPRING SENSOR	-	1	1	1	
9	DB70-00276A	HANGER PLATE	SGCC-M	1	-	-	
	DB70-00288A	HANGER PLATE	SGCC-M	-	1	1	
10	DB93-01613A	ASSY CONTROL IN	ASSY	1	-	-	
	DB93-01613C	ASSY CONTROL IN	ASSY	(1)	-	-	AQ12PGGE/SH12ZPG
	DB93-01635A	ASSY CONTROL IN	ASSY	-	1	1	SH12ZPGA
	DB93-01635D	ASSY CONTROL IN	ASSY	-	(1)	(1)	SH09/07ZPG
11	DB90-00992A	ASSY HOLDER-PIPE	ASSY	1	-	-	SH09/07ZPGA
	DB61-01121A	HOLDER-PIPE	HIPS	-	1	1	
12	DB94-00259B	ASSY TRAY DRAIN	ASSY	1	-	-	
	DB94-00265A	ASSY TRAY DRAIN	ASSY	-	1	1	
12-1	DB94-00062E	ASSY HOSE DRAIN	ASSY	1	1	1	
12-2	DB61-01103A	BLADE-H	HIPS	1	-	-	
	DB61-01125A	BLADE-H	HIPS	-	1	1	
12-3	DB61-01104A	BLADE-V	PP	1	-	-	
	DB61-01126A	BLADE-V	PP	-	1	1	
12-4	DB63-00634A	GUARD-SAFETY WIRE	-	1	-	-	
	DB63-00635A	GUARD-SAFETY WIRE	-	-	1	1	
12-5	DB95-20138A	ASSY STEPPING MOTOR	ASSY	1	1	1	
12-6	DB63-00587A	TRAY DRAIN	HIPS	1	-	-	
	DB63-00592A	TRAY DRAIN	HIPS	-	1	1	

4-2 Outdoor Unit

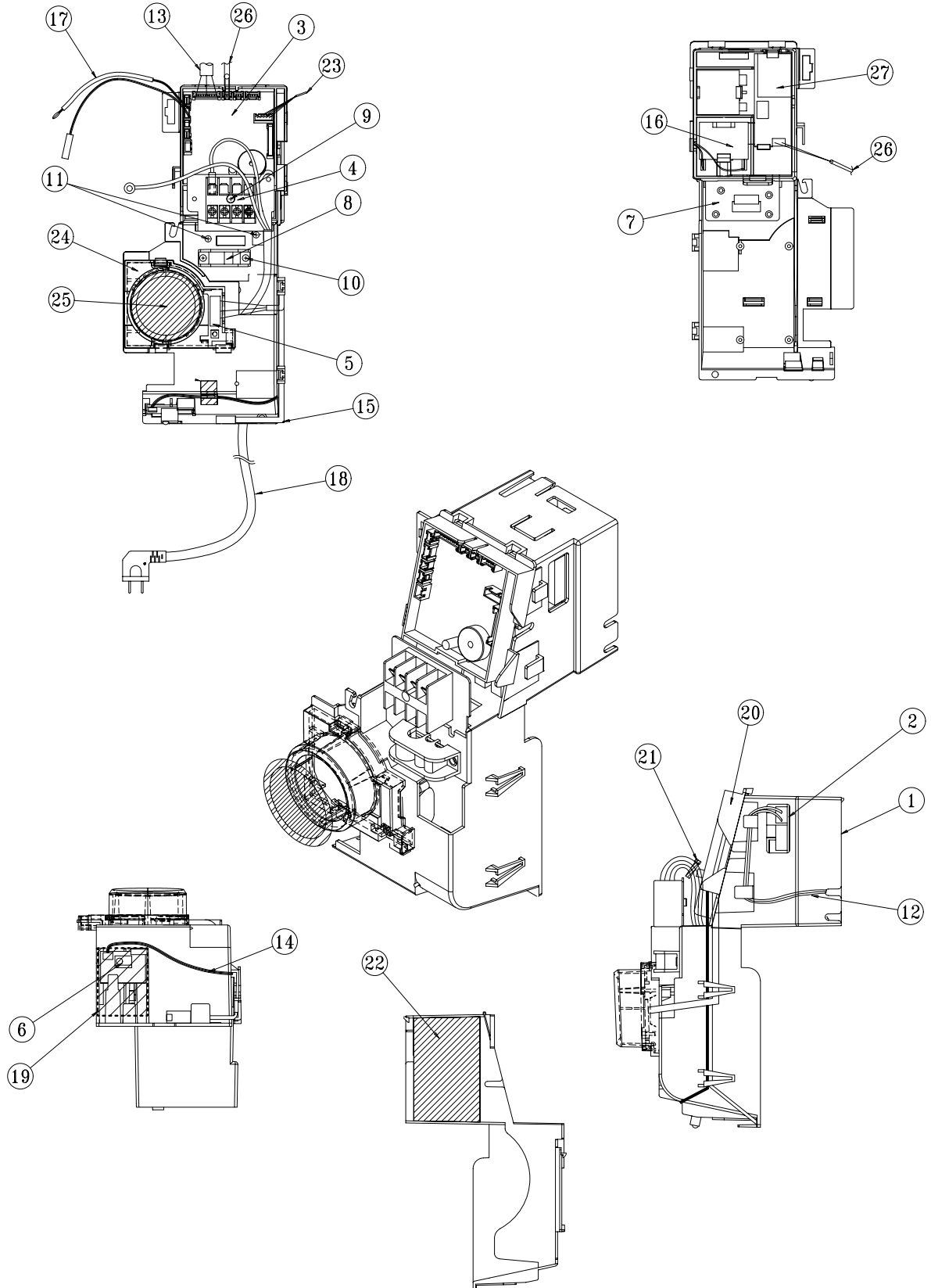


■ Outdoor Unit Parts List

No.	Code No.	Description	Specification	Q'TY		
				SH12ZPGX	SH09ZPGX	SH07ZPGX
1	DB60-30020A	NUT FLANGE	2C, M6, SM20C, NTR	1	1	1
2	DB67-50063A	FAN PROPELLER	AS+G/F 20%, ø405	1	1	1
3	DB31-10058C	MOTOR FAN OUT	220/240V, 50/60Hz	1	1	1
4	DB90-00904B	ASSY CABI FRONT	ASSY	1	-	-
	DB90-00904A	ASSY CABI FRONT	ASSY	-	1	1
4-1	DB64-00648A	CABI FRONT	PP	1	1	1
4-2	DB61-01113A	BELL MOUTH	PP	1	1	1
5	DB90-01057F	ASSY BASE OUTDOOR	ASSY	1	-	-
	DB90-01057E	ASSY BASE OUTDOOR	ASSY	-	1	1
5-1	DB90-01056C	ASSY BASE OUT	ASSY	1	-	-
	DB90-01056D	ASSY BASE OUT	ASSY	-	1	1
5-2	DB61-01322A	ASSY BRACKET VALVE	GA	1	1	1
5-3	DB94-00278A	ASSY BRACKET MOTOR	ASSY, SGCC-M	1	1	1
5-4	DB73-10004B	ASSY GROMMET ISOLATOR	SILICON	3	3	3
6	DB71-00085B	BAR STEEL	-	1	-	-
	DB71-00085A	BAR STEEL	-	-	1	1
7	DB90-00947A	ASSY COVER VALVE	ASSY	1	1	1
8	DB94-00303A	ASSY PARTITION	ASSY, SGCC-M	1	1	1
9	DB90-00914B	ASSY CABISIDE RH	ASSY	1	-	-
	DB90-00914E	ASSY CABISIDE RH	ASSY	-	1	-
	DB90-00914D	ASSY CABISIDE RH	ASSY	-	-	1
9-1	DB64-00650A	CABISIDE RH	PP	1	1	1
9-2	2501-001236	CAPACITOR-COMP	30µF / 450VAC	1	-	1
	2501-001237	CAPACITOR-COMP	35µF / 450VAC	-	1	-
9-3	2301-001375	CAPACITOR-MOTOR	1.5µF / 450VAC	1	1	1
9-4	DB33-00028A	ASSY SOLENOID COIL	ASSY	1	1	1
9-5	DB65-40049E	TERMINAL BLOCK	4P	1	1	1
9-6	DB93-01547A	ASSY LEAD WIRE	ASSY	1	1	1
9-7	DB35-00015R	OLP	RAC12123-9622	1	-	-
	DB35-00015B	OLP	RAC12054-9612	-	1	-
	DB35-00020A	OLP	RAC12144-9622	-	-	1
9-8	DB95-90026G	ASSY SPARK KILLER	ASSY	1	1	1
10	DB64-00649A	CABINET SIDE LF	PP	1	-	-
	DB90-01001A	ASSY CABINET SIDE LF	ASSY	-	1	1
11	DB96-02415A	ASSY 4WAY VALVE	ASSY	1	-	-
	DB96-02416A	ASSY 4WAY VALVE	ASSY	-	1	1
12	DB96-02413D	ASSY CHECK VALVE	ASSY	1	-	-
	DB96-02413B	ASSY CHECK VALVE	ASSY	-	1	-
	DB96-02413C	ASSY CHECK VALVE	ASSY	-	-	1
13	48D124JU1EL	COMPRESSOR	220~240V / 50Hz	1	-	-
	44B092JX1EL	COMPRESSOR	220~240V / 50Hz	-	1	-
	44B080JX1EL	COMPRESSOR	220~240V / 50Hz	-	-	1
14	DB60-30028A	NUT WASHER	HEX2CM8ZPC	3	3	3
15	DB63-20002A	GASKET	SILICON	1	1	1
16	DB63-10165D	COVER TERMINAL	PBT	1	1	1
17	DB60-30018A	NUT FLANGE	M5, SM20C	1	1	1
18	DB96-02236A	ASSY CONDENSER	ASSY	1	-	-
	DB96-02104A	ASSY CONDENSER	ASSY	-	1	1

4-3 Ass'y Control In (Indoor Unit)

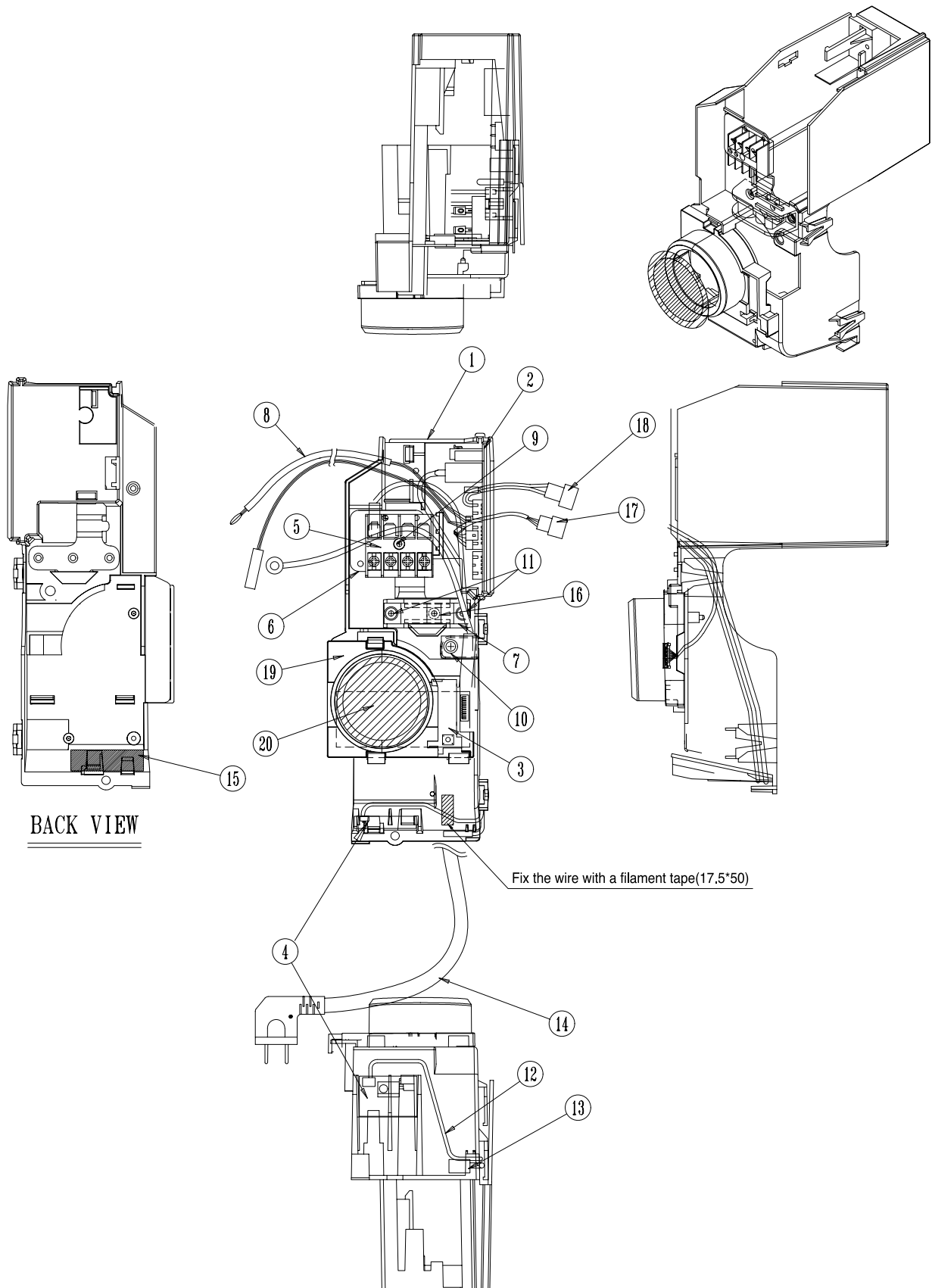
■ SH12ZPG / AQ12PGGE : DB93-01613A
SH12ZPGA : DB93-01613C



■ Parts List

No.	Code No.	Description	Specification	Q'TY	Remark
1	DB61-01105A	CASE-CONTROL AC	ABS	1	
2	DB93-01324A	ASSY-MAIN PCB (AC)	ASSY	1	
3	DB93-01325B	ASSY-MAIN PCB (DC)	ASSY	1	
4	DB65-00103A	ASSY-TERMINAL BLOCK	ASSY	1	
5	DB93-01368D	ASSY-S/W & DISPLAY PCB	ASSY	1	SH12ZPGA/Q12PGGE
	DB93-01368C	ASSY-S/W & DISPLAY PCB	ASSY	1	SH12ZPGA
6	DB93-01369A	ASSY-MODULE PCB	ASSY	1	
7	DB70-00277A	PLATE-TERMINAL LOW	SGCC-M, T1.2	1	
8	DB61-00171A	HOLDER-WIRE CLAMP	ABS	1	
9	-	SCREW-MACHINE	PH M3 x L22	1	SNA
10	-	SCREW-MACHINE	TH M4 x L16	2	SNA
11	-	SCREW-MACHINE	TH M4 x L10	2	SNA
12	DB93-01386A	ASSY-C/W MOTOR CAPACITOR	ASSY	1	
13	DB93-01384A	ASSY-C/W AC/DC CONNECTION	ASSY	1	
14	DB93-01380A	ASSY-C/W MODULE PCB	ASSY	1	
15	DB39-00643F	C/W STEP MOTOR UP/DOWN	ASSY	1	
16	2301-001377	CAPACITOR	1.2uF,450VAC	1	
17	DB32-00020G	ASSY-THERMISTOR	4P (103AT)	1	
18	DB93-01549A	POWER CORD	3G,1.0mm ²	1	
19	-	SEAL	61x40x3,30FOAM-PE,GRAY	1	SNA
20	DB61-01106A	CASE CONTROL(DC)	HIPS V0	1	
21	-	CABLE TIE	DA-140	1	SNA
22	-	SEAL	95x60x1,FOAM-LEX,T1.0,BLK	1	SNA
23	DB39-00780B	ASSY C/W AUTO GRILLE	ASSY	1	
24	DB61-01110A	HOLDER-DISPLAY	HIPS,V0,WHT	1	
25	DB64-00763A	HALF MIRROR	95,T1.5	1	
26	DB39-00866A	ASSY C/W HVPS	ASSY	-	
27	DB93-01387A	ASSY PCB HVPS	DC12V/DC4.7KV	-	

■ SH09ZPG / SH07ZPG : DB93-01635A
SH09ZPGA / SH07ZPGA : DB93-01635D



■ Parts List

No.	Code No.	Description	Specification	Q'TY	Remark
1	DB61-01127A	CASE-CONTROL AC	ABS	1	
2	DB93-01347C	ASSY-MAIN PCB	ASSY	1	
3	DB93-01368B	ASSY-S/W & DISPLAY PCB	ASSY	1	SH*ZPG
	DB93-01368A	ASSY-S/W & DISPLAY PCB	ASSY	1	SH*ZPGA
4	DB93-01369A	ASSY-MODULE PCB	ASSY	1	
5	DB65-00103B	ASSY-TERMINAL BLOCK	ASSY	1	
6	DB70-00289A	PLATE-TERMINAL LOW	SGCC-M,T1.2	1	
7	DB61-00171A	HOLDER-WIRE CRAMP	HIPS	1	
8	DB32-00020A	ASSY-THERMISTOR	ASSY	1	
9	-	SCREW-MACHINE	PH M3xL22	1	SNA
10	-	SCREW-MACHINE	TH M4xL10	1	SNA
11	-	SCREW-MACHINE	TH M4xL16	2	SNA
12	DB93-01380B	C/W MODULE	ASSY	1	
13	DB39-00643M	C/W STEP MOTOR UP/DOWN	ASSY	1	
14	DB93-01549B	POWER CORD	3G, 1.0mm ²	1	
15	-	SEAL	61x40x3,30FOAM-PE,GRAY	1	SNA
16	-	SCREW-MACHINE	PH M4x10	1	SNA
17	DB39-00780B	C/W STEPPING MOTOR	ASSY(AUTO GRILLE)	1	
18	DB39-00820A	C/W ION-PCB	ASSY	1	
19	DB61-01110A	HOLDER-DISPLAY	ABS	1	
20	DB64-00763A	HALF MIRROR	95, T1.5	1	