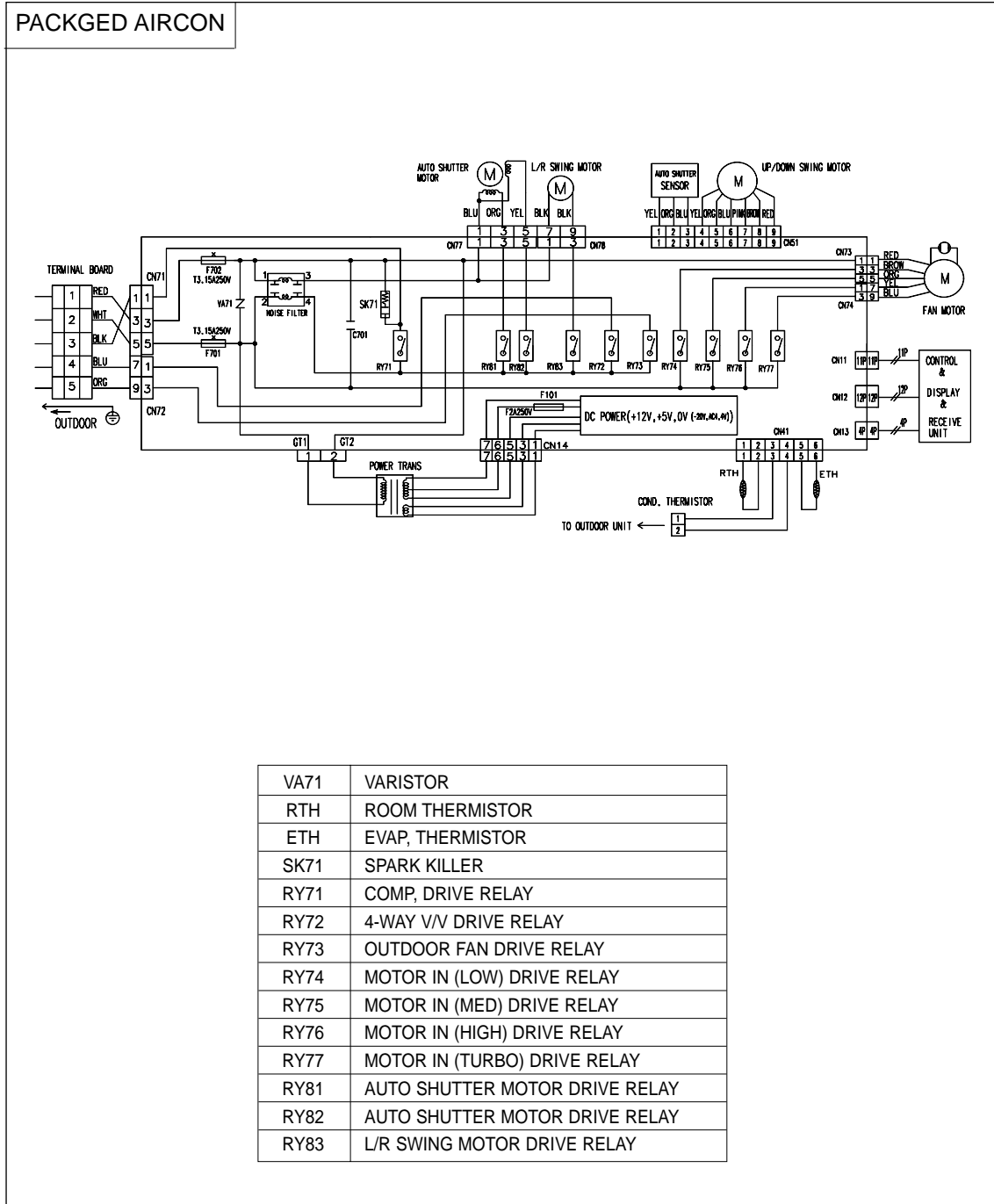


9. Wiring Diagrams

9-1 Indoor Unit



9-2 Outdoor Unit

