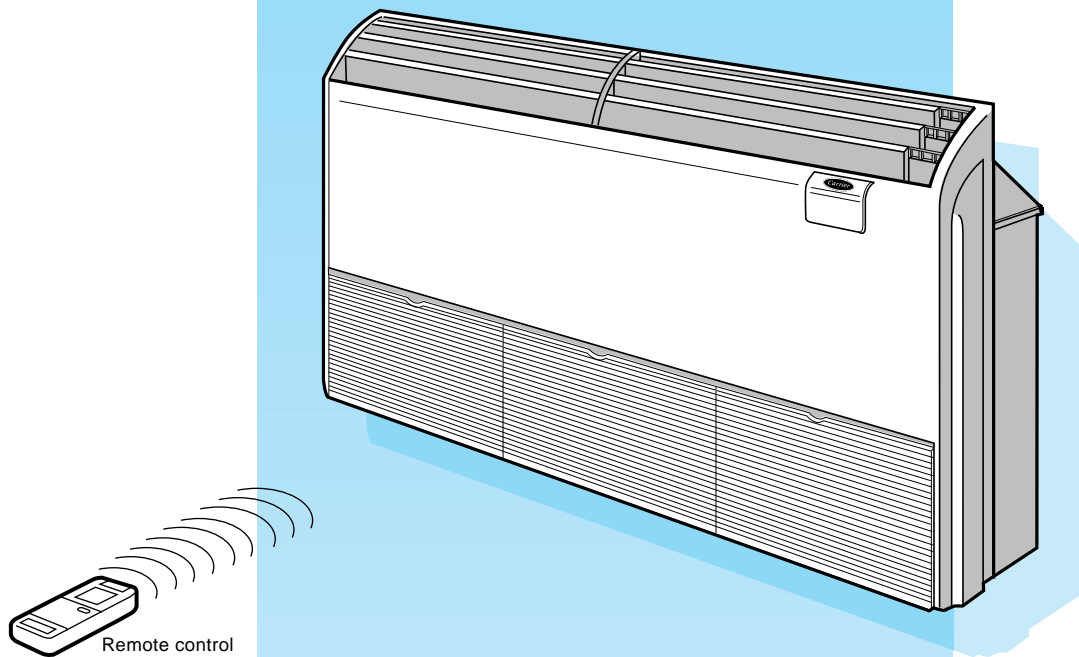




# 42AR / 42QR



CERTIFICACIONES  
BS 5750: PART 1  
UNE-EN ISO 9001



Remote control

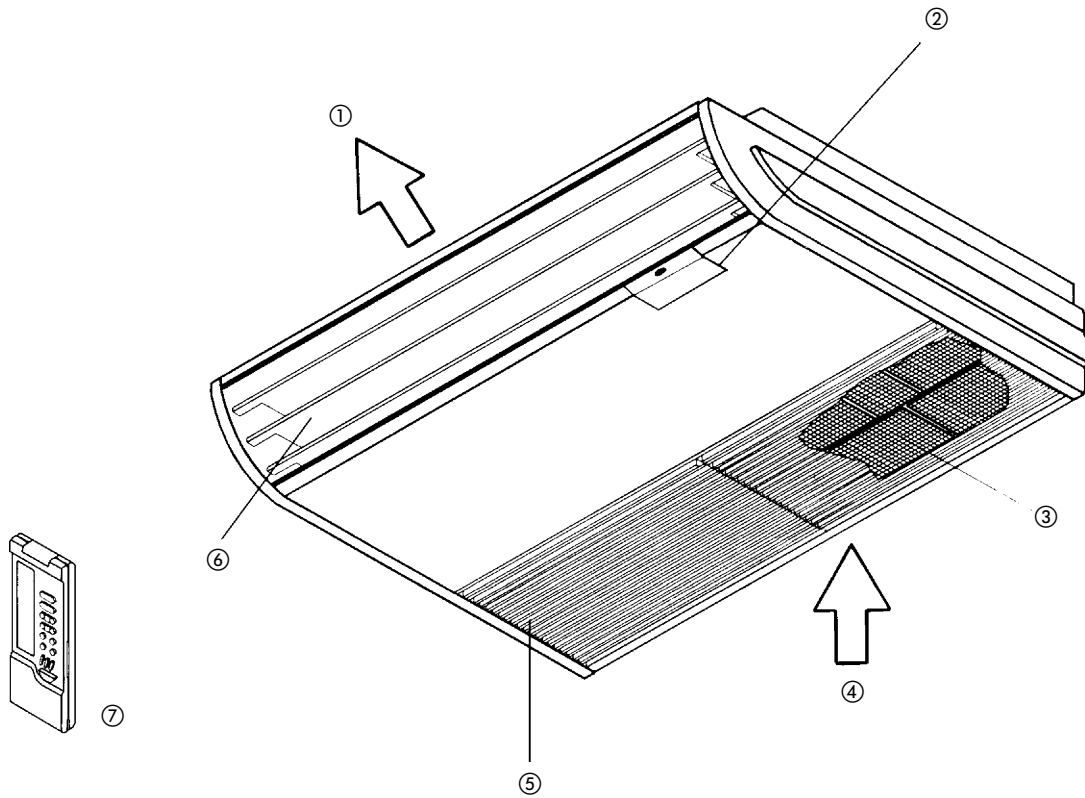
Mod. 42AR / 42QR  
036 - 048 - 060

---

**SPLIT-SYSTEM UNDERCEILING, FLOOR-STANDING INDOOR UNIT**  
**Operation and maintenance instructions**

---

## Components and functions - indoor unit



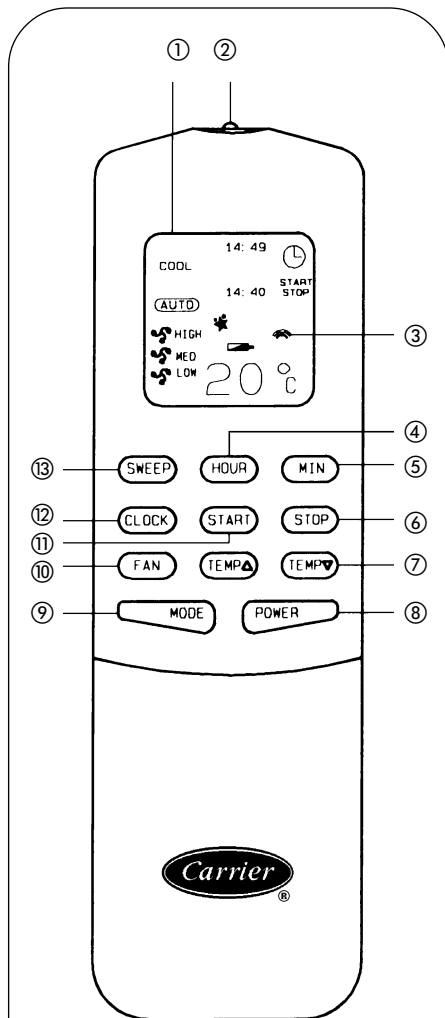
- ① **Air outlet**  
To cool or heat (*only QR*) the room
- ② **IR window (Receiver)**  
To receive signal from the hand held Remote Controller
- ③ **Air filters**  
Remove dust and dirt from the air
- ④ **Air inlet**  
Removes in air from room
- ⑤ **Plastic grille**
- ⑥ **Louvers**  
To direct the air stream
- ⑦ **Remote controller**

## Components and functions

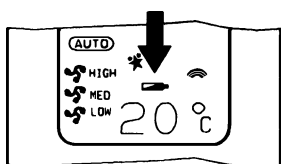
### WARNING:

The unit can be equipped by two different kinds of remote control, which both have the same operating functions. For the appropriate instructions see below or page 10.

### HAND-HELD REMOTE CONTROLLER

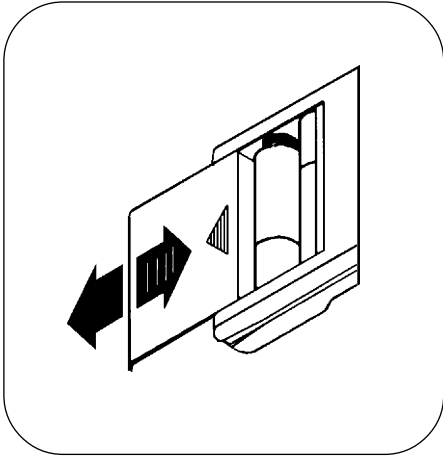


• Low battery indicator



- ① **Display window**
- ② **Transmitter**  
To send signal to indoor unit IR receiver.
- ③ **Transmission symbol**  
Indicates a signal has been sent to the indoor unit.
- ④ **"HOUR" button**  
Used to set hours for the clock or start/stop timers.
- ⑤ **"MIN" button**  
Used to set minutes for the clock or start/stop timers.
- ⑥ **"STOP" timer button**  
Used to stop timer for indoor unit. The unit will automatically stop at the time that appears on the display.
- ⑦ **"TEMPERATURE" buttons**  
Used to set room temperature, from 18° to 30°C. This temperature will appear in the display window.
- ⑧ **"POWER" button**  
Used to start or stop the air conditioner.
- ⑨ **"MODE" button**  
Used to select the operating mode (automatic, cooling, dehumidification and heating). The display shows AUTO, COOL, DRY or HEAT for heat pump models 42QR.  
For cooling, dehumidification or fan only (COOL, DRY or FAN).  
The selected operating mode is shown in the display.
- ⑩ **"FAN" button**  
Used to select fan speed, AUTO, High (H), Medium (M), or Low (L).  
AUTO, H, M or L will appear in the display window.
- ⑪ **"START" timer button**  
Used to set ON TIMER for air conditioner.  
The unit will automatically switch ON at the time that appears in the display window.
- ⑫ **"CLOCK" button**  
Used to set time. Time will appear in the display window.
- ⑬ **"SWEEP" button**  
Used to control louvre movement.

## Components and functions



### BATTERY TYPE AND INSTALLATION

- The controller is powered by two “AAA” size batteries. Alkaline batteries are recommended.
- If the low battery power warning is visible in the display, replace batteries.
- To install the batteries, slide out the cover, insert batteries, and slide the cover back until fully closed.
- Press CLOCK to set the display to the correct local time.
- To prevent damage due to battery leakage or rupture, never mix different type, brand or age of batteries.

## Operation

### NOTE:

#### For every operation:

- Aim your remote controller at the indoor unit.
- A “beep” sound should be heard every time a selection is made.

### ON/OFF operation

- To switch ON the unit. Press the ON/OFF button, a red light will appear in the IR window.
- To switch OFF the unit, press the ON/OFF button, the red light will disappear from the IR window.

### Automatic COOL/HEAT selection (for heat pump models only)

- Press MODE button, until COOL and HEAT are both displayed together.
- Press FAN button, and select AUTO, HIGH, MEDIUM or LOW speed.
- Press TEMP button, and select desired temperature.

### Cooling operation

- Press MODE button, and select COOL.
- Press FAN button, and select AUTO, HIGH, MEDIUM, or LOW speed.
- Press TEMP button, and select desired temperature.

### Dry (dehumidifying) operation

- Press MODE button, and select DRY.
- Press TEMP button, and select desired temperature.
- Fan speed will automatically be set to low and the fan will go off when the desired temperature is reached.

### Fan Only operation

- Press MODE button, and select FAN.
- Press FAN button to select HIGH, MEDIUM or LOW speed.
- Temperature set point will disappear from the display.

### Heating operation (for heat pump models only)

- Press MODE button and select HEAT.
- Press FAN button and select AUTO, HIGH, MEDIUM or LOW speed.
- Press TEMP button and select desired temperature.

### Fan control

- Press FAN button to select continuous fan speed HIGH, MEDIUM, LOW or AUTO.
- Auto FAN speed adjusts the speed according to the room temperature and turns the fan to low speed when the outdoor unit is defrosting (heat mode).

### Louvre control operation

- With unit ON, press SWEEP button, for the louvre to operate.
- Pressing “SWEEP” again will stop louvre at desired position.
- If in heating, louvres will default to vertical position.  
If in cooling, louvres will default to horizontal position.

### Automatic ON/OFF timer operation

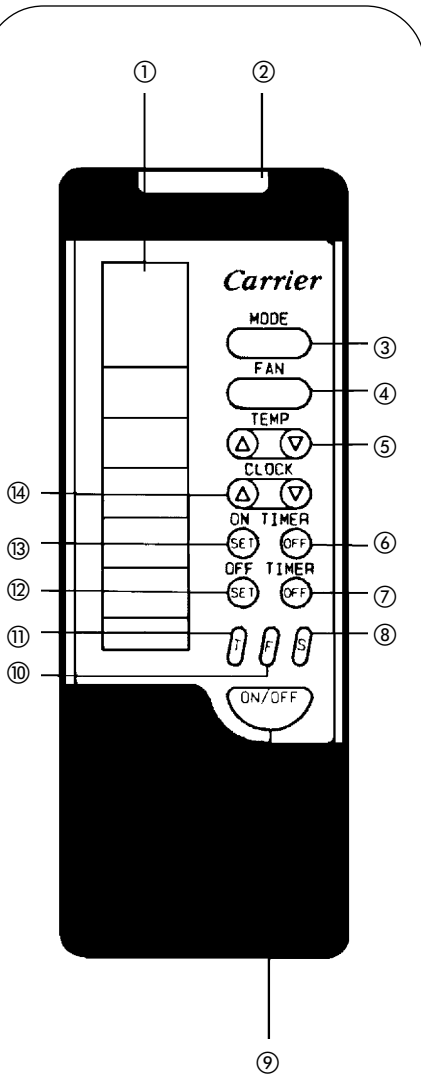
- Ensure the clock is set to the correct local time or press CLOCK button to correct the time.
- Press ON TIMER SET button, and select the time.
- Press OFF TIMER SET button, and select the time.

## Components and functions

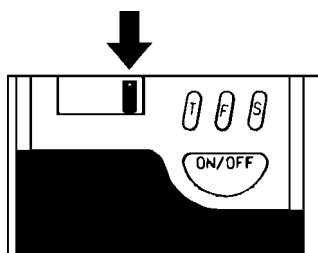
### WARNING:

The unit can be equipped by two different kinds of remote control, which both have the same operating functions. For the appropriate instructions see below or page 4.

### HAND-HELD REMOTE CONTROLLER

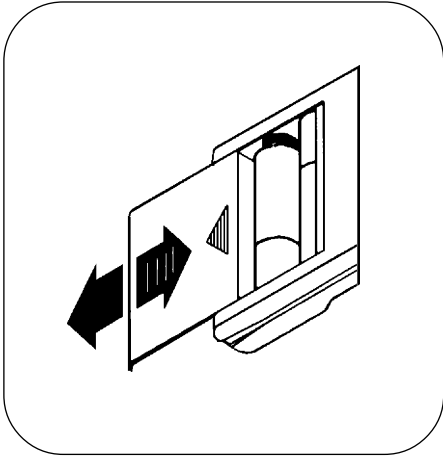


• Low battery indicator



- ① **Display window**
- ② **Transmitter**  
To send signal to indoor unit IR receiver.
- ③ **“MODE” button**  
Used to select the operating mode (automatic, cooling, dehumidification and heating). The display shows AUTO, COOL, DRY or HEAT for heat pump models 42QR.  
For cooling only models use this key to select cooling, dehumidification or fan only (COOL, DRY or FAN).  
The selected operating mode is shown in the display.
- ④ **“FAN” button**  
Used to select fan speed, AUTO, High (H), Medium (M), or Low (L).  
AUTO, H, M or L will appear in the display window.
- ⑤ **“TEMPERATURE” button**  
Used to set room temperature, from 18-30°C. This temperature will appear in the display window.
- ⑥ **On Timer “OFF” button**  
Used for switching ON the unit manually. ON TIMER setting will disappear from the display.
- ⑦ **Off Timer “OFF” button**  
Used for switching OFF the unit manually. OFF TIMER setting will disappear from the display.
- ⑧ **“S” button**  
Not working button.
- ⑨ **“ON/OFF” button**  
Used to start or stop the air conditioner.
- ⑩ **“F” button**  
Used to control louvre movement.
- ⑪ **“T” button**  
Energy Saving Button, or Sleep-Button, used to raise (for cooling) or lower the temperature (for heating, only QR models) by 2°C when you are sleeping or not in the room. “T” will appear in the display window.
- ⑫ **Off Timer “SET” button**  
Used to set OFF TIMER for air conditioner.  
The unit will automatically set OFF at the time that appears in the display window.
- ⑬ **On Timer “SET” button**  
Used to set ON TIMER for air conditioner.  
The unit will automatically switch ON at the time that appears in the display window.
- ⑭ **“CLOCK” button**  
Used to set time. Time will appear in the display window.

## Components and functions



### BATTERY TYPE AND INSTALLATION

- The controller is powered by two “AAA” size batteries. Alkaline batteries are recommended.
- If the low battery power warning is visible in the display, replace batteries.
- To install the batteries, slide out the cover, insert batteries, and slide the cover back until fully closed.
- Press CLOCK to set the display to the correct local time.
- To prevent damage due to battery leakage or rupture, never mix different type, brand or age of batteries.

## Operation

### NOTE:

#### For every operation:

- Aim your remote controller at the indoor unit.
- A “beep” sound should be heard every time a selection is made.

### ON/OFF operation

- To switch ON the unit. Press the ON/OFF button, a red light will appear in the IR window.
- To switch OFF the unit, press the ON/OFF button, the red light will disappear from the IR window.

### Automatic COOL/HEAT selection (for heat pump models only)

- Press MODE button, and select AUTO.
- Press FAN button, and select AUTO, HIGH, MEDIUM or LOW speed.
- Press TEMP button, and select desired temperature.

### Cooling operation

- Press MODE button, and select COOL.
- Press FAN button, and select AUTO, HIGH, MEDIUM, or LOW speed.
- Press TEMP button, and select desired temperature.

### Dry (dehumidifying) operation

- Press MODE button, and select DRY.
- Press TEMP button, and select desired temperature.
- Fan speed will automatically be set to low and the fan will go off when the desired temperature is reached.

### Fan Only operation

- Press MODE button, and select FAN.
- Press FAN button to select HIGH, MEDIUM or LOW speed.
- Temperature set point will disappear from the display.

### Heating operation

#### (for heat pump models only)

- Press MODE button and select HEAT.
- Press FAN button and select AUTO, HIGH, MEDIUM or LOW speed.
- Press TEMP button and select desired temperature.

### Fan control

- Press FAN button to select continuous fan speed HIGH, MEDIUM, LOW or AUTO.
- Auto FAN speed adjusts the speed according to the room temperature and turns the fan off when the outdoor unit is defrosting (heat mode).

### Temperature set-back operation

- Ensure unit operates in cooling.
- Press T button and “T” will appear on the display.

### Louvre control operation

- With unit ON, press F button, F will appear on the display and louvre will modulate up and down.
- Pressing “F” again will stop louvre at desired position.
- In heating, direct the louvre towards the front to achieve the optimum angle (for heat pump models only).

### Automatic ON/OFF timer operation

- Ensure the clock is set to the correct local time or press CLOCK button to correct the time.
- Press ON TIMER SET button, and select the time.
- Press OFF TIMER SET button, and select the time.

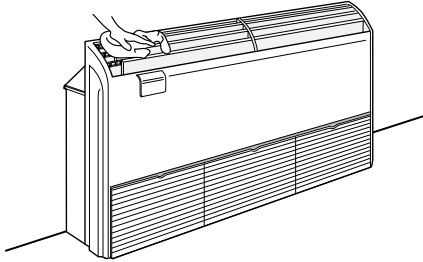
### Defrost operation

#### (for heat pump models only)

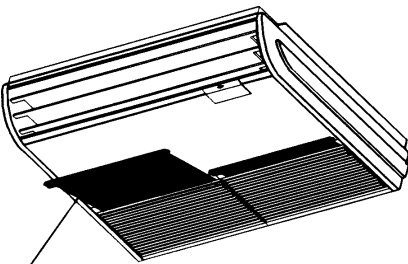
- Fan will turn off in AUTO mode.
- When the fan speed is manually set, the fan will remain on.

## Maintenance and service

**ATTENTION:**  
Before starting any servicing or maintenance operation on the unit, make sure that the power supply has been disconnected. Electrical discharge could cause personal injury.



Wipe the unit with a clean, dry and soft cloth.  
Use a neutral household detergent to clean the surface.

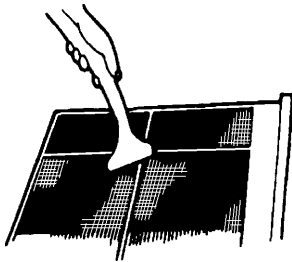


Filter

### Air filter cleaning

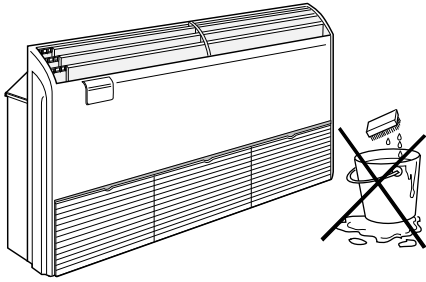
A dirty filter can cause unit performance to deteriorate and create noise.  
Check the filter for cleanliness every 100 operating hours.

- Turn the air conditioner OFF.
- Pull the filter out as shown.
- Clean the filter with vacuum cleaner or wash it with water.
- Dry the filter thoroughly before replacing it.
- Slide the filter back into the filter track.

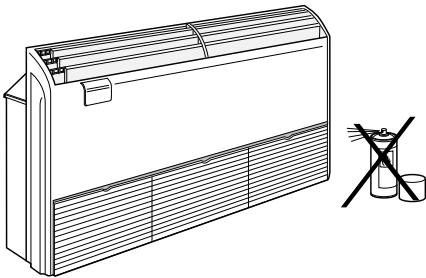


## Maintenance and service

### SPECIAL PRECAUTIONS

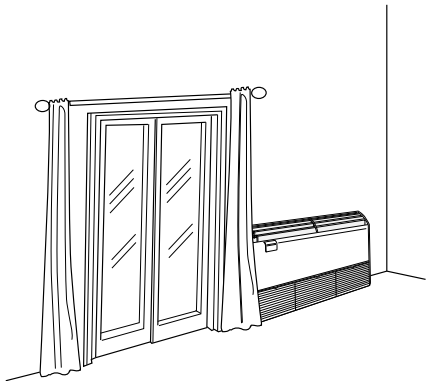


Water should not be poured directly to the unit for cleaning purposes. Electrical shock may result.

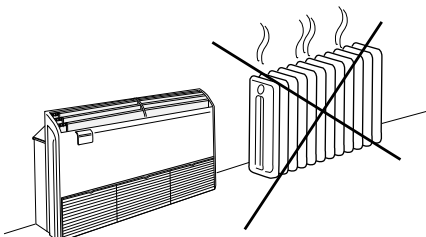


Do not spray the unit with insecticide or other combustible gas.

Never use gasoline, benzine, thinner, scouring powder or non-neutral detergents. These materials may damage the air conditioner.



Do not block or cover the intake or outlet sections, as this could result in a deterioration of unit performance or unit shutdown.



Heating appliances or other heat sources should not be placed under or near the air conditioner or remote controller. Heat can cause the body to warp.



## Troubleshooting chart

Below we describe a series of possible faults, as well as the probable cause and suggested solutions.  
In the event of a unit malfunction disconnect the power supply and ascertain the cause.

---

### System not operating:

- Check mains power. Has fuse or circuit breaker blown?  
*Replace the fuse or reset the circuit breaker*
- Has there been a power failure?  
*After a power failure, the system must be restarted using hand-held Remote Controller*

---

### Insufficient cooling or heating (*for QR models only*) are abnormally below:

- Check air filter.  
*Clean it if dirty.*
- Has thermostat setting been changed?  
*Reset if necessary.*
- Close the windows or doors if open so that unit can operate properly.
- Check that there is no obstruction on outdoor unit so that the system can operate properly.

---

If the above actions fail to solve the problem, please contact your local Carrier Agent.

The manufacturer reserves the right to change any product specifications without notice.

