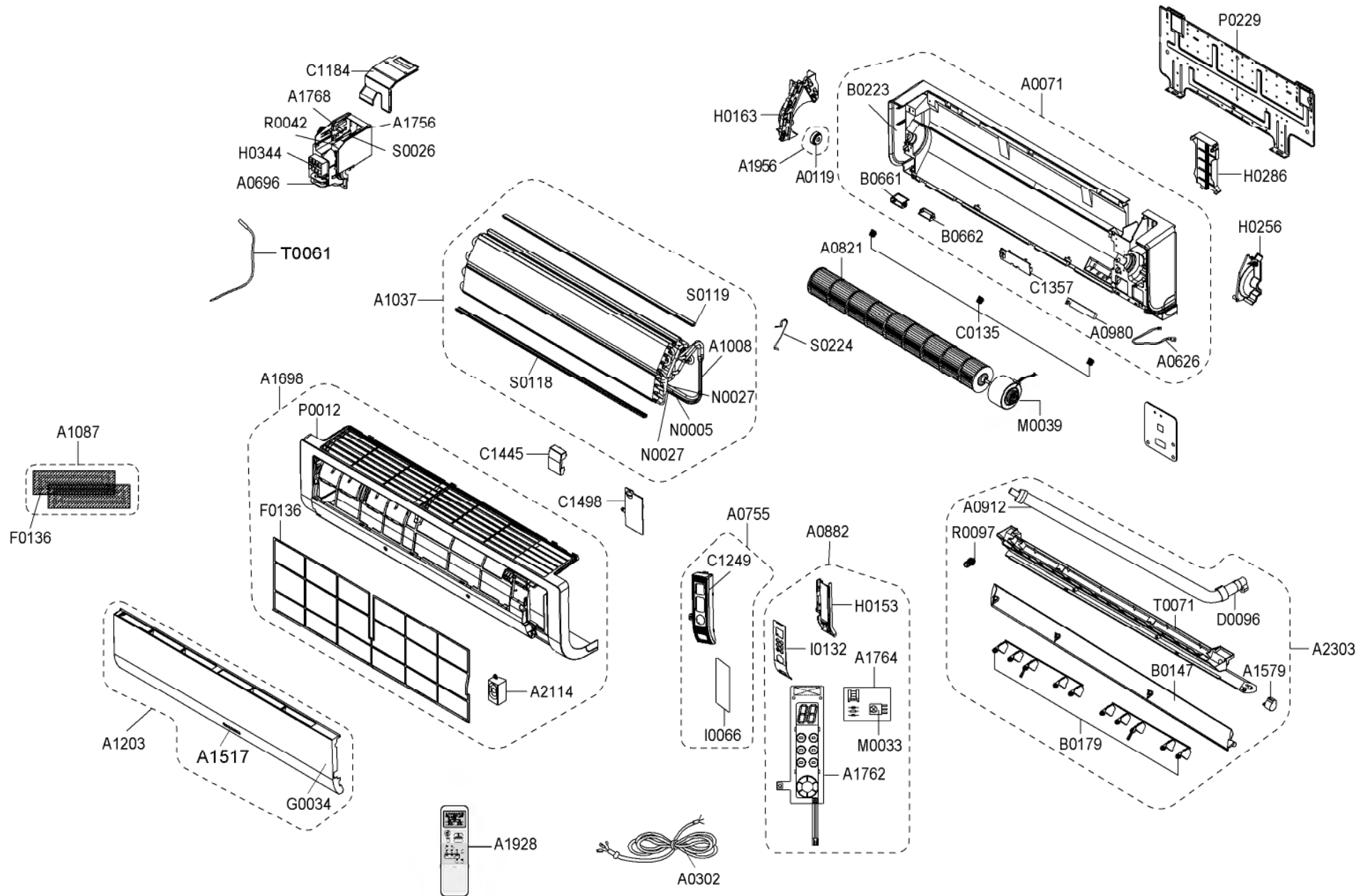


# Air Conditioning (AS09HPBN)



## ■ Parts List

L/C	Code No.	Description	Specification	SA/SNA
A0071	DB94-00626D	ASSY BACK BODY	E,Y,WHIT,R410A,LEFT,RIGHT	SA
A0755	DB90-01829A	ASSY COVER-DISPLAY	AS12HPA,HB1-P/J	SA
A0882	DB93-02960A	ASSY DISPLAY	HB1-P/J,PCB+WINDOW+HOLDER	SA
A0912	DB94-00062L	ASSY DRAIN-HOSE	SC-03113R,right&left,320	SA
A0980	DB91-00287A	ASSY ELECTRIC-IONIZER	HB-P/J,-DC5.2KV,HA	SA
A1037	DB96-03835B	ASSY EVAP-TOTAL	AS09HPA,HB1-P/J	SA
A1203	DB92-00643C	ASSY GRILLE	AS12HPBN,HB1	SA
A1579	DB95-20138A	ASSY MOTOR-STEPPING	GSP-24RW-046,AS-568	SA
A1698	DB92-00633A	ASSY PANEL FRONT	-,PRE,-,SC-01623R,-,MET	SA
A1756	DB93-02808A	ASSY PCB MAIN	HB1-P/J,H/P(MELODY)	SA
A1768	DB93-02809A	ASSY PCB-MELODY	HB1-P/J,MELODY IC	SA
A1764	DB93-01369A	ASSY PCB-MODULE	G1-P/J,MODULE	SA
A1928	DB93-03016R	ASSY REMOCON	HB-PJT,ARH-1331	SA
A2303	DB94-00629A	ASSY TRAY DRAIN	SC-03113R,right&left,320	SA
A0302	DB93-01549B	ASSY-CONNECTOR POWER	,	SA
A0821	DB94-00627A	ASSY-CROSS FAN	AS12HPA,HB1-P/J	SA
A1087	DB95-00589A	ASSY-FILTER BIO	AS12HPA,HB1-P/J	SA
A1517	DB98-09655A	ASSY-LOGO SAMSUNG	-,-,-,-,-,-,-,-,-,	SA
A1956	DB94-00674A	ASSY-RUBBER BEARING	AS12HPA,CR 35	SA
A2114	DB93-02831A	ASSY-SPEAKER UNIT	HP/CO,ASSY,9,12,18,24K	SA
B0147	DB61-02049A	BLADE-H	AS12HPA,ABS,SC-03113R,mm,유광	SA
B0179	DB61-02053A	BLADE-V	AS12HPA,ABS,SC-03113R,mm,유광	SA
F0136	DB63-00616A	FILTER-DEODORIZATION	-,-,T5.5,50,150,-,G	SA
F0136	DB63-01103A	FILTER-PRE	HB1-P/J,PP,-,-,-,GRAY,METALLI	SA
G0034	DB64-01221A	GRILLE-AIR INLET	AS12HPA,HIPS,-,-,-,-,WH	SA
H0344	DB61-00171A	HOLDER-WIRE CLAMP	-,ABS,-,-,-,BLK,V21-PJ	SA
M0033	0609-001204	MODULE REMOCON	HORIZONTAL,6.5MM,TR	SA
M0039	DB31-00270A	MOTOR FAN IN	YDK-20S4F8D,HB1-PJT,0.3A,60	SA
N0005	DB67-00276A	NIPPLE	SH12ZSG,-,-,-,-,-,-,-	SA
N0027	DB60-30010A	NUT-FLARE	-,-,HEX,7/16-20UNF,-,-,-,-,-,-	SA
N0027	DB60-30010B	NUT-FLARE	HEX,-,5/8-18UNF,-,C3771BD,-	SA
P0229	DB70-00514A	PLATE-HANGER	AS12HPA,SGCC-M,T0.8,-,-,-,H	SA
R0042	3501-001169	RELAY-POWER	12VDC,0.9W,20000MA,SPST,20MS	SA
T0061	DB32-00020K	THERMISTOR-WIRE ASS'Y	103AT,10Kohm/25,34	SA