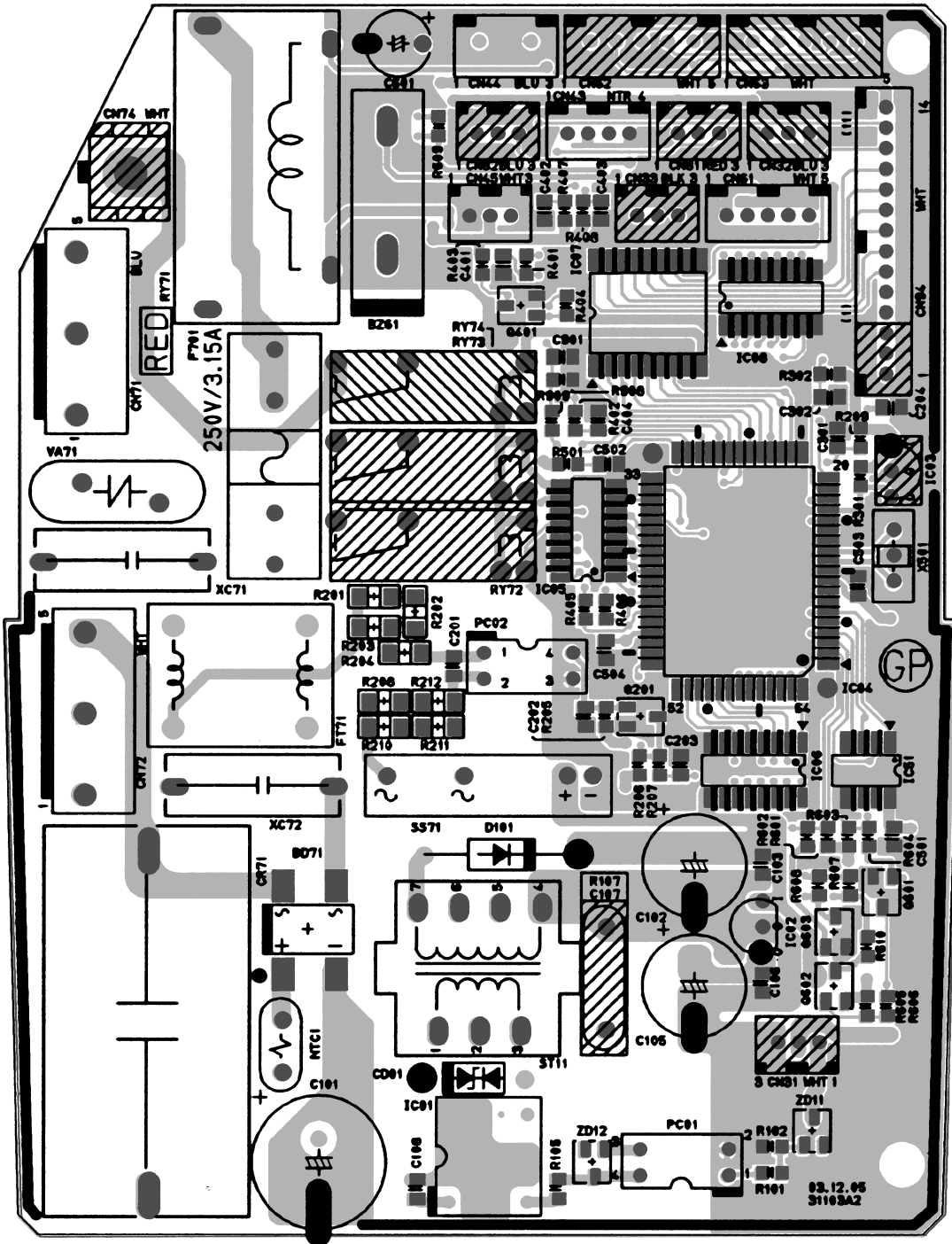


9. PCB Diagram

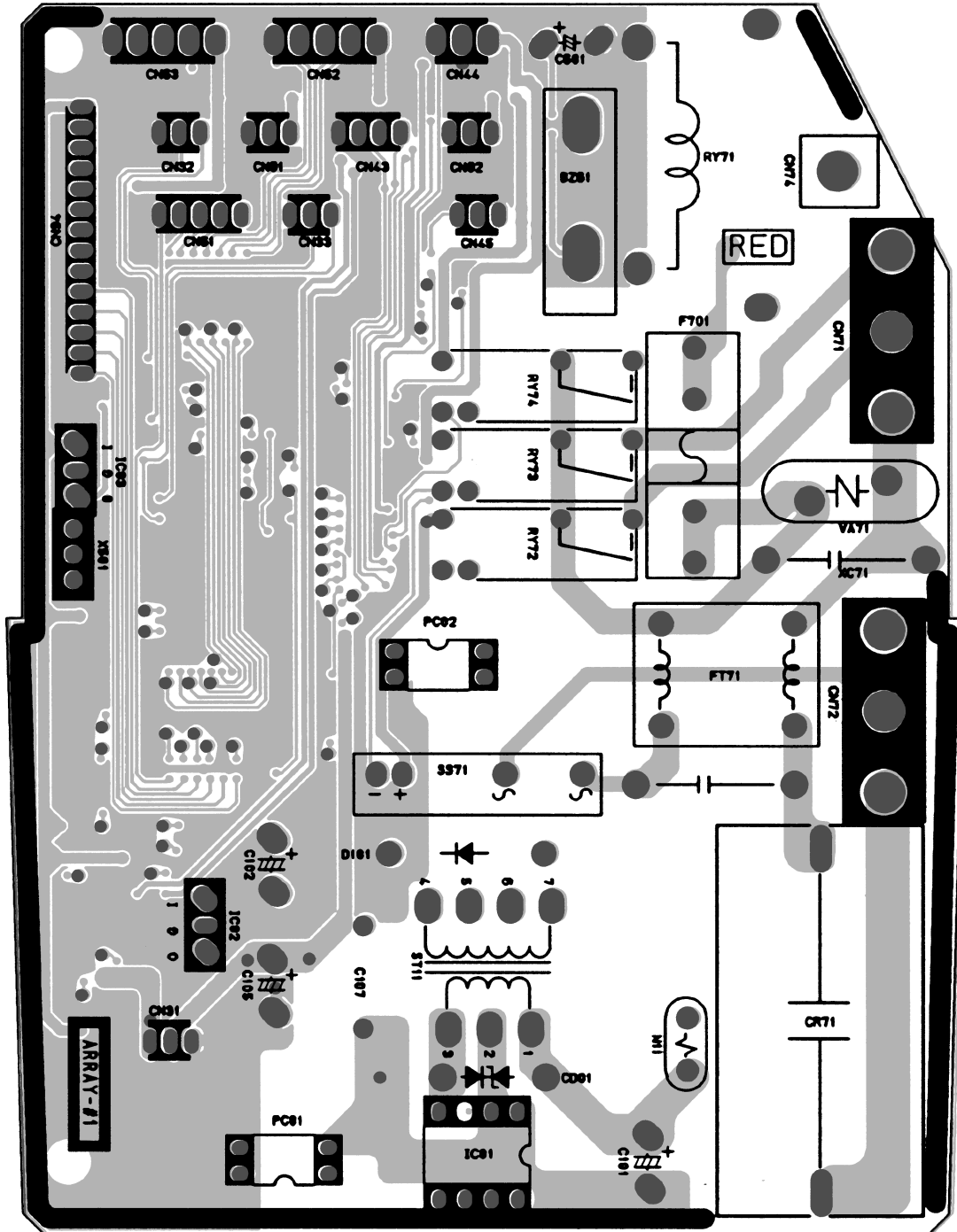
9-1 ASS'Y MAIN PCB(7K/9K/12K)

9-1-1 DB93-02685A(Ionizer)
 DB93-02685L(Titanium Filter)

■ TOP



■ BOTTOM



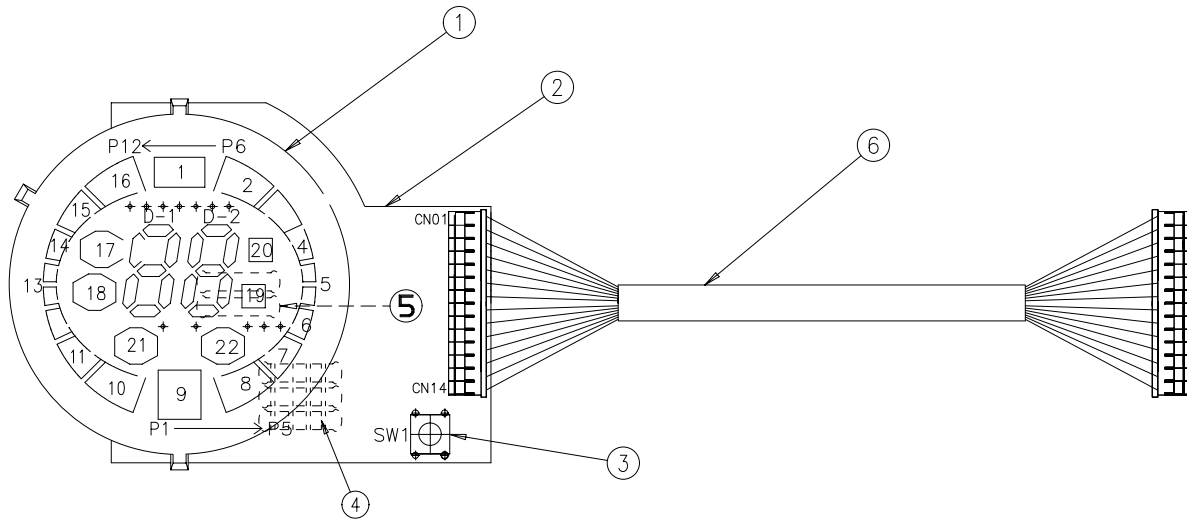
■ Parts List

Location No.	Description	Specification	Q'TY	Remark
BD71	DIODE-BRIDGE	DF06S,600V,1A,SMD-4,TP	1	SNA
BZ61	BUZZER-PIEZO	CBE2220BPC,85DB,-,-,2KHz,-	1	SNA
C101	C-AL	10uF,20%,450V,GP,TP,13x20mm,5m	1	SNA
C102	C-AL	470uF,20%,25V,GP,TP,10x12.5mm	1	SNA
C103,C106,C108,C201	C-CERAMIC	100nF,+80-20%,50V,Y5V,TP,2012	14	SNA
C204,C301,C302,C402				
C403,C501~C504,C901				
C105	C-AL	470uF,20%,16V,GP,TP,10x12.5,5	1	SNA
C202,C203,C404	C-CERAMIC	10nF,+80-20%,50V,Y5V,TP,2012	3	SNA
C401	C-CERAMIC	1nF,10%,50V,X7R,TP,2012,-	1	SNA
C601	C-AL	47uF,20%,50V,GP,TP,6.3x11,5	1	SNA
CD01	DIODE-TVS	ST02D-200,185/200/215V,200W,DO-214	1	SNA
CN43	CONNECTOR-HEADER	SMW200-04,NTR,BOX,4P,1R,2mm,STRAIGHT,SN	1	SNA
CN44	CONNECTOR-HEADER	SMW250-03,BLU,BOX,3P,1R,2.5mm,STRAIGHT,SN	1	SNA
CN45	CONNECTOR-HEADER	SMW200-03,NTR,BOX,3P,1R,2mm,STRAIGHT,SN	1	SNA
CN61	CONNECTOR-HEADER	SMW200-05,NTR,BOX,5P,1R,2mm,STRAIGHT,SN	1	SNA
CN71	CONNECTOR-HEADER	YW396-05AV,BLU,1WALL,3P,1R,7.92mm,STRAIGHT,SN	1	SNA
CN72	CONNECTOR-HEADER	YW396-05AV,WHT,1WALL,3P,1R,7.92mm,STRAIGHT,SN	1	SNA
CN81	CONNECTOR-HEADER	SMW200-03,BLU,BOX,3P,1R,2mm,STRAIGHT,SN	(1)	SNA
CN82	CONNECTOR-HEADER	SMW200-03,RED,BOX,3P,1R,2mm,STRAIGHT,SN	(1)	SNA
CN94	CONNECTOR-HEADER	SMW200-14,NTR,BOX,14P,1R,2mm,STRAIGHT,SN	1	SNA
CR71	C-FILM,MPPF	1.2uF,10%,450Vac,BK,38x18x30,3	1	SNA
D101	DIODE-RECTIFIER	UG2D,200V,2A,DO-204AC,TP	1	SNA
F701	FUSE-CARTRIDGE	250V,3.15A,TIME-LAG,GLASS,5x20mm,521-3150-401	1	SNA
F701	FUSE-CLIP	AFC-520	1	SNA
FT71	NOISE-FILTER	LS404190M,AS-S660,19MH,+50,-30%,-,300Mohm,2A	1	SNA
IC01	IC-PWM CONTROLLER	TNY266P,DIP,8P,300MIL,PLASTIC,-0.3/7	1	SNA
IC02	IC-POSI.ADJUST REG.	KA78L05A,TO-92,3P,-,PLASTIC,4.6	1	SNA
IC04	IC MICOM	S3C848AXZZ-QTRA,-,64P,+5V,10MHz,STM-0219-BA	1	SNA
IC05,IC06,IC08	TR-ARRAY	ULN2003AFW,NPN,7,1W,SOP-16,ST,1000	3	SNA
IC07	IC-SOURCE DRIVER	TD62783AFW,SOL,18P,-,8,-500mA,TP	1	SNA
IC51	IC-EEPROM	93LC56,128x16Bit,SOP,8P,150MIL,-,2.5V,-	1	SNA
NTC1	THERMISTOR-NTC	22ohm,1.4A,3100K,9.5mW/C,-,7.0,-	1	SNA
PC01	PHOTO-COUPLER	PC817X2,TR,130-260%,200mW,DIP-4,ST	1	SNA
PC02	PHOTO-COUPLER	PC814X1,TR,50-150%,200mW,DIP-4,ST	1	SNA
Q201,Q401,Q601,Q603	TR-SMALL SIGNAL	2SC2412K,NPN,200mW,SOT-23,TP,1	4	SNA
Q602	TR-SMALL SIGNAL	MMST2907A,PNP,200mW,SOT-23,TP,100-	1	SNA
R101	R-CHIP	100ohm,5%,1/10W,TP,2012	1	SNA

■ Parts List (cont.)

Location No.	Description	Specification	Q'TY	Remark
R102	R-CHIP	2.2Kohm,5%,1/10W,TP,2012	1	SNA
R105,R607,R608	R-CHIP	470ohm,5%,1/10W,TP,2012	3	SNA
R107C107	C&R NETWORK	R-METAL-GLAZE,12Mohm,1/2W,5%,0.5W,2.2nF	1	SNA
R201~R204,R208	R-CHIP	47Kohm,5%,1/4W,TP,3216	8	SNA
R210~R212				
R205,R501,R601	R-CHIP	10Kohm,5%,1/10W,TP,2012	6	SNA
R603,R605,R908				
R206,R207,R209	R-CHIP	1Kohm,5%,1/10W,TP,2012	11	SNA
R301,R302,R401				
R402,R404,R602				
R604,R610				
R403	R-CHIP	6.8Kohm,5%,1/10W,TP,2012	1	SNA
R405,R406	R-CHIP	330ohm,5%,1/10W,TP,2012	2	SNA
R407,R408	R-CHIP	6.8Kohm,1%,1/10W,TP,2012	2	SNA
R606,R909	R-CHIP	4.7Kohm,5%,1/10W,TP,2012	2	SNA
R609	R-CHIP	560ohm,5%,1/10W,TP,2012	1	SNA
RY71	RELAY-POWER	UKH-12S,12VDC,0.9W,20000mA,SPST,20mS,10mS	1	SNA
RY72,73	RELAY-POWER	DC12V,3A,250VAC,-,-,10mS,10mS	1	SNA
SS71	SSR	AQG22212,12Vdc,-,2A,1mS,1mS	1	SNA
ST11	TRANS SWITCHING	-,JT1916-09,-,310V,FERRITE,-,EI1916	1	SNA
VA71	VARISTOR	INR14D561K-RS,560V,2500A,17.5x7.5mm,TP	1	SNA
X501	RESONATOR-CERAMIC	10MHz,0.5%,TP,10.0x5.0x8.0mm	1	SNA
XC71	C-FILM,PCF	220nF,10%,275V,BK,18X10X6,18	1	SNA
XC72	C-FILM,MPPF	100nF,10%,275V,BK,18x6x12,15	1	SNA
ZD11	DIODE-ZENER	BZX84-C11,10.4-11.6V,350mW,SOT-23,TP	1	SNA
ZD12	DIODE-ZENER	BZX84C3V6,3.6,350mW,SOT-23,TP	1	SNA
	PCB	FR-4,1x2,W194xH140,REV No.-31103A2	1	SNA

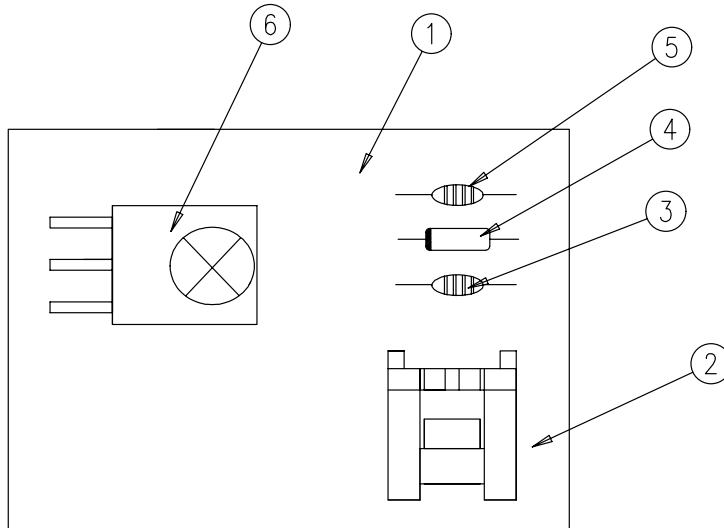
9-2 ASS'Y DISPLAY PCB(7K/9K/12K) : DB93-01368G



■ Parts List

No	Description	Specification	Q'TY	Remark
1	ASS'Y LED MODULE		1	SNA
2	PCB-DISPLAY	FR-1 T1.6	1	SNA
3	TACT SWITCH	KPT-1105A	1	SNA
4	RESISTOR	200ohm, 2W	2	SNA
5	RESISTOR	100ohm, 2W	3	SNA
6	CONNECTOR WIRE	14P	1	SNA

9-3 ASS'Y MODULE PCB : DB93-01369A



■ Parts List

No	Description	Specification	Q'TY	Remark
1	PCB MODULE	FR1 T1.6	1	SNA
2	CONNECTOR-HEADER	BOX, 3P, 1R, 2mm, ANGLE, SN	1	SNA
3	C-CERAMIC, MLC-AXIAL	1nF, 10%, 50V, Y5P, TP, 1.9 x 3.5, -	1	SNA
4	DIODE-SWITCHING	1N4148, 100V, 200mA, DO-35, TP	1	SNA
5	C-CERAMIC, MLC-AXIAL	100nF, +80-20%, 50V, Y5V, TP, 3.5 x 1	1	SNA
6	MODULE	FRP4021H7	1	SNA