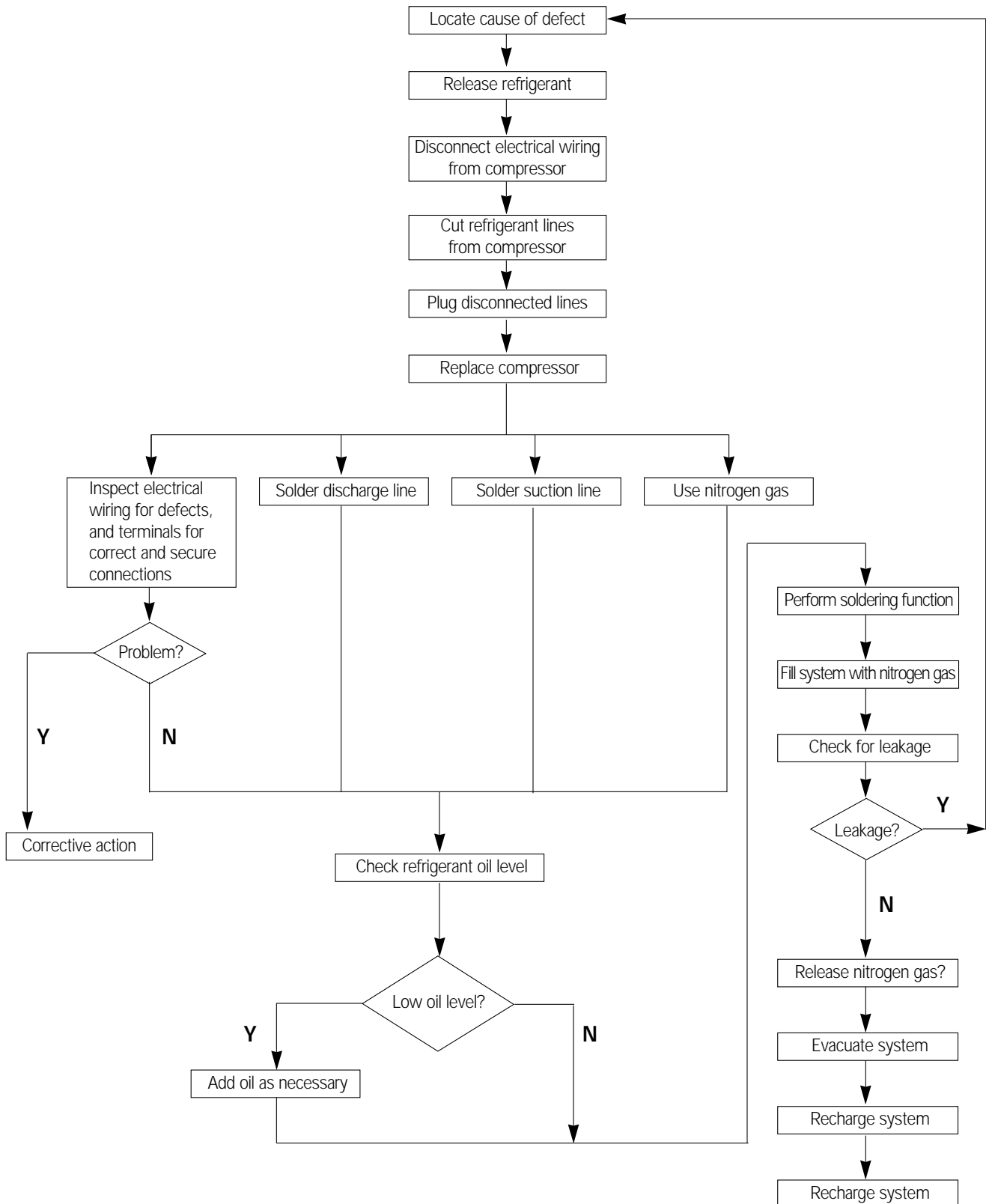


4. Disassembly and Reassembly

4-1 Compressor Replacement Flow Chart



4-2 Checking the oil

Fill the transparent container with 10cc of oil, and then conduct the test.

4-2-1 Oil quality


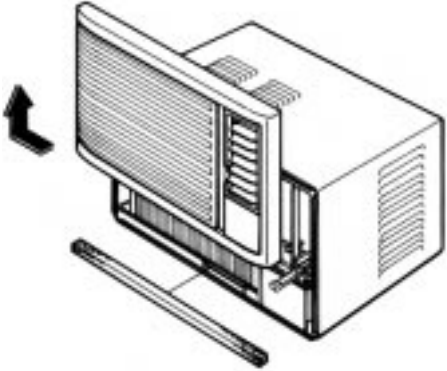
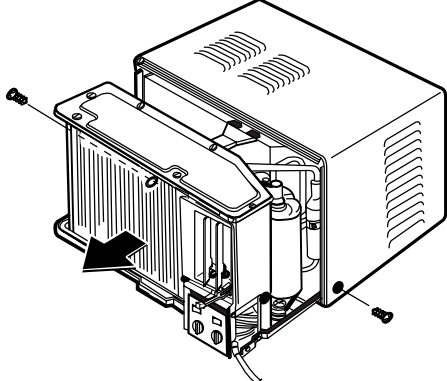
Refrigerant Cycle	Oil Condition		Remarks
	Color	Odor	
Normal	Light Yellow	No Odor	Return with the system
Over-heated	Brown	-	Oil Change
Compressor damage	Dark brown	Pungent oil	Oil Change

4-2-2 Replacing and refilling the refrigerant oil

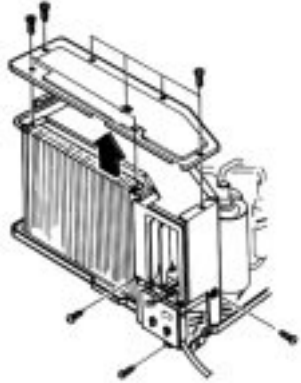
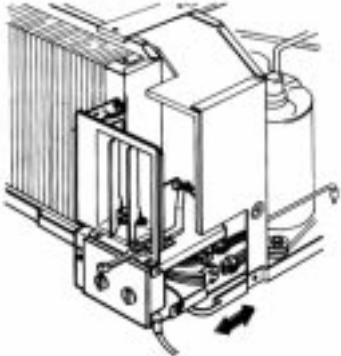
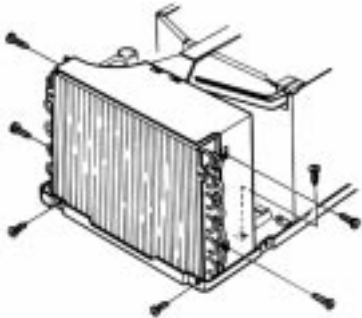
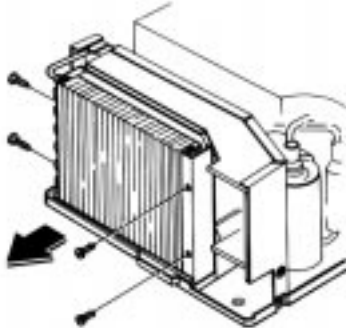
1. Replacing the compressor - Do not fill the system with oil as the compressor is already charged.
2. Replacing the condenser - Refill 50cc.
3. Replacing the evaporator - Refill 50cc.
4. Replacing the refrigerant - Refill 30cc.
5. The high pressure side is filled up with oil after the vacuum is completed.
6. When the refrigerant leaks, it is generally not necessary to refill the oil if the leakage is not severe.

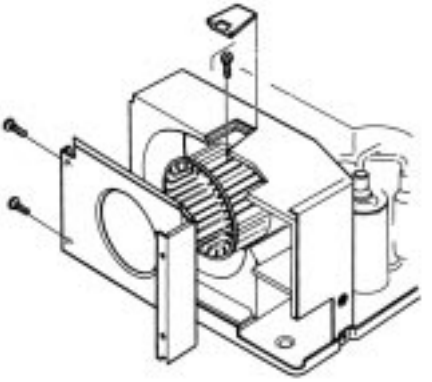
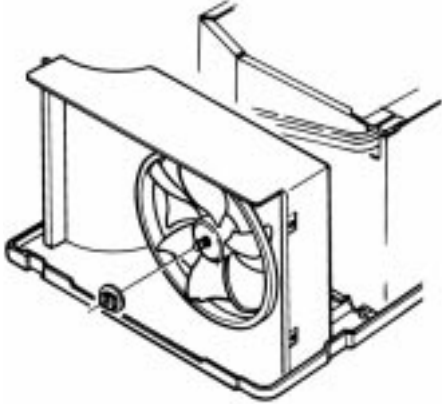
4-3 Disassembly and Reassembly Procedure

Stop operation of the air conditioner and remove the power cord before repairing the unit

No.	Part name	Procedures	Remarks
①	Ass'y-Grill	<ol style="list-style-type: none"> 1. Pull out the Guard-air filter on the grille. 2. Remove the Screw on the grille. 3. Push the grille left side and pull up. 4. Pull out the Seal-cabi front between Base pan and Cabinet. 	 
②	Ass'y-Frame	<ol style="list-style-type: none"> 1. Remove the 2 screws both side of the cabinet . 2. Pull the handle at the Base pan to separate the frame from the Cabinet. 	

Disassembly and Reassembly

No.	Part name	Procedures	Remarks
③	Ass'y-Control & Ass'y-Frame Blade	<p>1. Remove the Cover-Evap.</p> <p>2. Remove the 3 screws to disassemble Ass'y-control and Frame-blade.</p>	
		<p>3. Separate 3 Ass'y-lead wires from the Ass'y-control and the device sensor from the condenser.</p>	
④	Ass'y-Condenser	<p>1. Remove the 2 screws back of the Base pan.</p> <p>2. Remove the 5 screws both side of the Casing cond and on the Base pan.</p>	
⑤	Ass'y-Evaporator	<p>1. Remove the 2 screws front of the Partition-Evap. casing and 2 screws left side of the Evaporator.</p>	

No.	Part name	Procedures	Remarks
⑥	Blower-Fan	<ol style="list-style-type: none"> 1. Remove the Cover-Evap. case. 2. Loosen the hex. bolt to disassemble the blower. 3. Remove the 2 screws left side of the Partition-Evap. casing. 	
⑦	Propeller Fan	<ol style="list-style-type: none"> 1. Loosen the Nut flange. 	
⑧	Motor	<ol style="list-style-type: none"> 1. Remove the 4 hex. bolts on the partition and Base pan. 2. Remove the Screw on the Base pan. 	